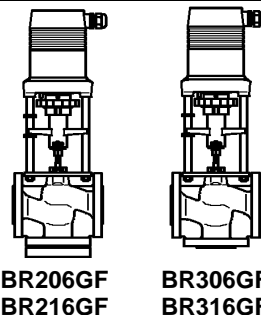


Flanged connection
PN 6 / PN 16
Cast iron

with electric actuators
MC55/24 • MC55/230 • MC55Y
MC65/24 • MC65/230 • MC65Y
MC100/24 • MC100/230
MC160/24 • MC160/230
MC161/24 • MC161/230
MC250/24 • MC250/230
MC400/24 • MC400/230
MC500/24 • MC500/230
MC1000/24 • MC1000/230



BR206GF
BR216GF

BR306GF
BR316GF

Features

- Suitable for the control of hot and chilled water (0...+150°C) in HEVAC systems control of heating plants. Above 130°C valves should only be mounted in the horizontal position.
- With stem heater suitable for water with antifreeze compounds down to -10°C
- Tight shut-off in the closed position
- Microprocessor controlled
- Automatic self-calibration on start up

Technical data valve

Series	BR206GF	BR216GF	BR306GF	BR316GF
Form	Two-way		Three-way	
Diameter nominal	DN 15 – DN 100	DN 15 – DN 150	DN 15 – DN 100	DN 15 – DN 150
Pressure rating	PN 6	PN 16	PN 6	PN 16
Characteristic	A→AB equal %		A→AB B→AB	equal % linear
Stroke	mm	14 (DN 15 – DN 50) 20 (DN 65) 30 (DN 65 – DN 100) 50 (DN 125 – DN 150)		
Rangeability		DN 15: 50:1 DN 20 – 150: 100:1		

Function: BR206/216GF as two-way valve
BR306/316GF as mixing or on-off valve

Connection type: Flanges acc. EN 1092-2 type 21

Face to face dimension: Acc. EN 558-1 basic series 1

Leakage rate: EN 1349 – seat-leakage VI G 1 (tight sealing)

Body: Cast iron EN-JL1040
Plug: Brass CW614N
Stem: CrMo-steel 1.4122
Stem sealing: O-rings EPDM

Valve variant and accessories

- Plug made of CrNi-steel 1.4305
- With stem heater suitable for water with antifreeze compounds down to -10°C
24 VAC, 50/60 Hz
DN 15 – DN 100 and DN 125 – DN 150 Power consumption: $P_{max.} \approx 400 \text{ VA}$
 $P_N \approx 45 \text{ VA}$

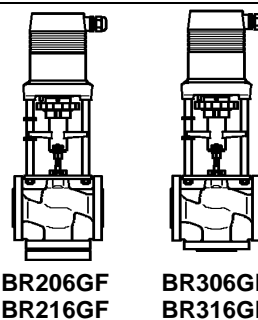
- Epoxy resin special varnish as a corrosion resistant in case of condensed water, max. 80°C
- Usable for media based on mineral oil basis (stem sealing made of FKM)
- Technical silicon free version

Control valves with electric actuators up to 150°C

PN 6 / 16 **2.2.3**

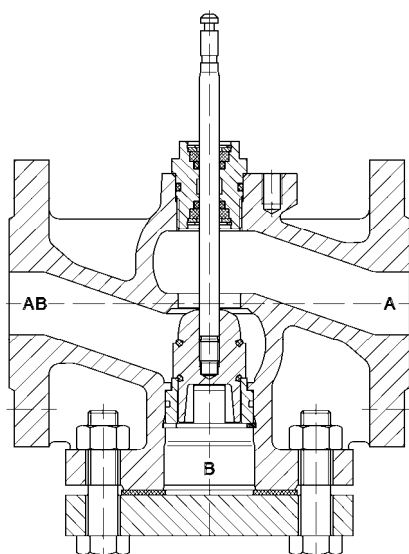
Flanged connection
PN 6 / PN 16
Cast iron

with electric actuators
MC55/24 • MC55/230 • MC55Y
MC65/24 • MC65/230 • MC65Y
MC100/24 • MC100/230
MC160/24 • MC160/230
MC161/24 • MC161/230
MC250/24 • MC250/230
MC400/24 • MC400/230
MC500/24 • MC500/230
MC1000/24 • MC1000/230

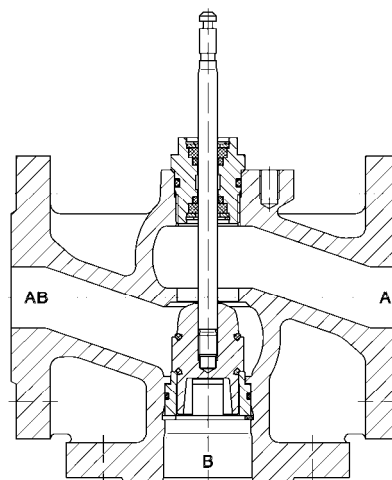


Drawing

DN 15 – DN 65 (stroke 20)

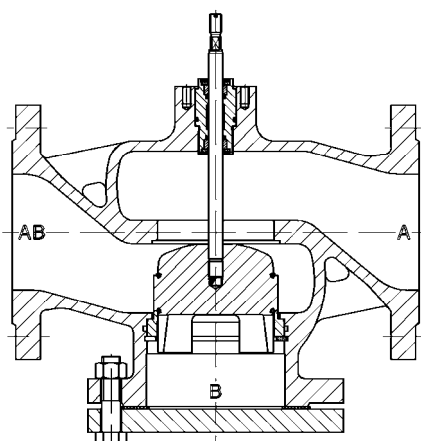


BR206GF / BR216GF

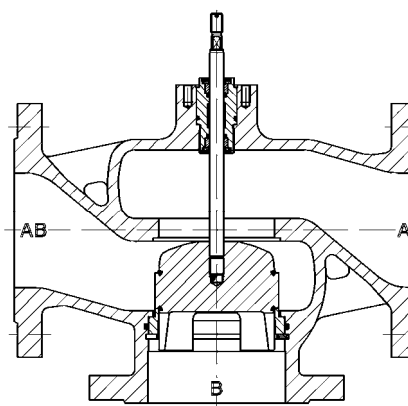


BR306GF / BR316GF

DN 65 (Stroke 30) – DN 100



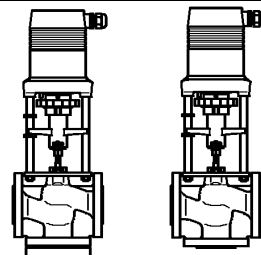
BR206GF / BR216GF



BR306GF / BR316GF

Flanged connection
PN 6 / PN 16
Cast iron

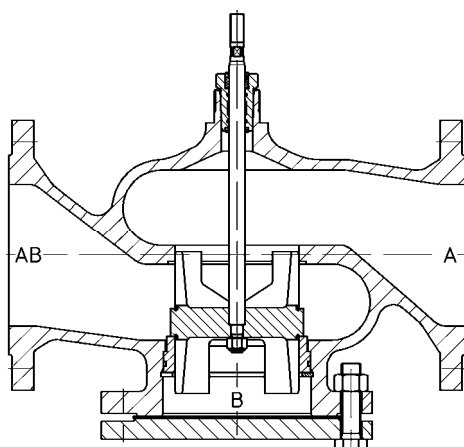
with electric actuators
MC55/24 • MC55/230 • MC55Y
MC65/24 • MC65/230 • MC65Y
MC100/24 • MC100/230
MC160/24 • MC160/230
MC161/24 • MC161/230
MC250/24 • MC250/230
MC400/24 • MC400/230
MC500/24 • MC500/230
MC1000/24 • MC1000/230



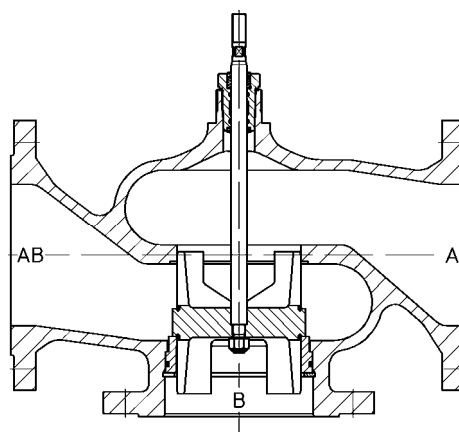
BR206GF
BR216GF

BR306GF
BR316GF

DN 125 – DN 150



BR216GF



BR316GF

Technical data actuator MC55 · MC65

Type		MC55/24	MC65/24	MC55/230	MC65/230	MC55Y	MC65Y
Actuating time ¹⁾	s/mm	9 · 5*		9 · 5*		9 · 5*	
Actuating thrust	kN	0.6		0.6		0.6	
Stroke	mm	max. 14	max. 20	max. 14	max. 20	max. 14	max. 20
Power supply	VAC	24 ±10%		230 +6% -10%		24 ±10%	
Power supply ²⁾	VDC	24 ±10%				24 ±10%	
Frequency	Hz	50/60 ±5%		50/60 ±5%		50/60 ±5%	
Power consumption	VA	3.5		7		3.5	
Input signal ³⁾		3-point		3-point		0(2)...10 VDC 77 kOhm 0(4)...20 mA 0.51 kOhm	
Output signal ³⁾		0...10 VDC max. 8 mA min. 1200 Ohm		0...10 VDC max. 8 mA min. 1200 Ohm		0...10 VDC max. 8 mA min. 1200 Ohm	
Hysteresis	V	0.3		0.3		0.3	

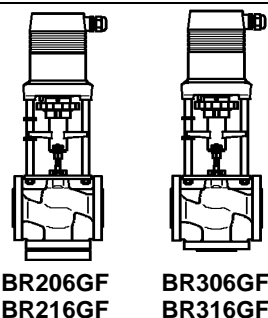
¹⁾ Actuating time freely adjustable, presetting is marked with *

²⁾ only rectified alternating voltage

³⁾ Invertible input and output signal

Flanged connection
PN 6 / PN 16
Cast iron

with electric actuators
MC55/24 • MC55/230 • MC55Y
MC65/24 • MC65/230 • MC65Y
MC100/24 • MC100/230
MC160/24 • MC160/230
MC161/24 • MC161/230
MC250/24 • MC250/230
MC400/24 • MC400/230
MC500/24 • MC500/230
MC1000/24 • MC1000/230

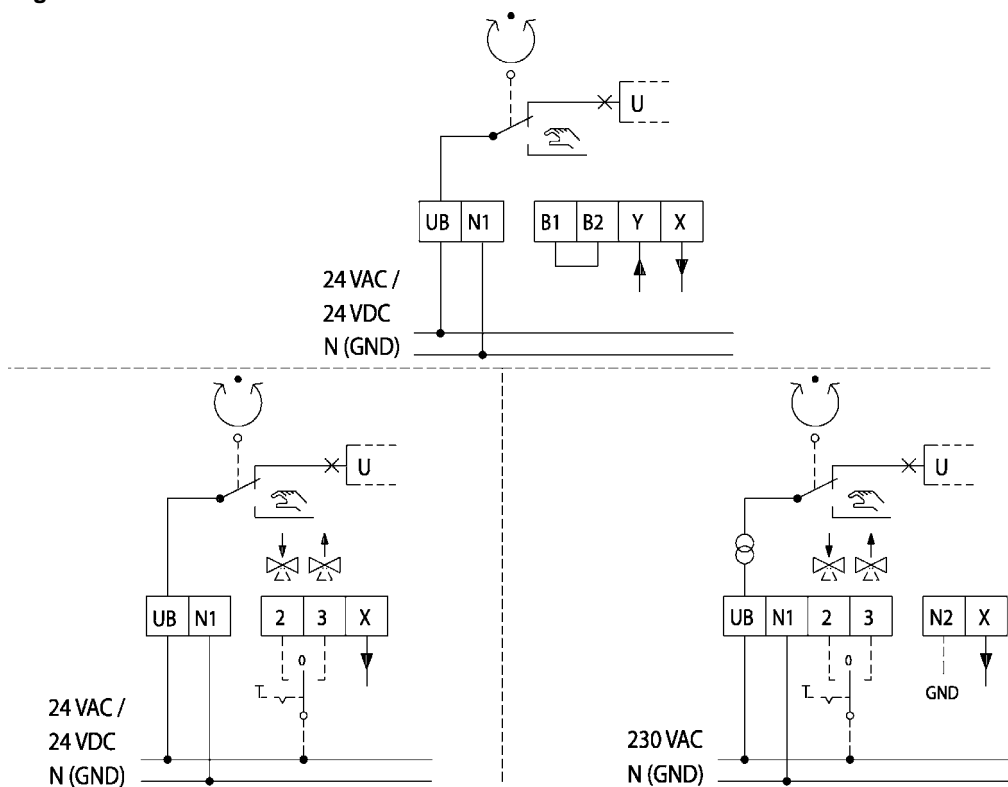


Enclosure protection:	IP 54 in automatic operation IP 30 in manual operation	
Resolution:	electric mechanical	0.04 VDC 0.06 mm
Mains connection:	Actuator with terminal	
Operating mode:	S3-50% ED c/h 1200	EN 60034-1
End position switch-off:	load-dependent	
Ambient temperature:	0...+60°C	
Weight:	1.5 kg	

Actuator variant and accessories

- Voltage: 115 VAC
- Adapter with coupling for external products

Circuit diagram MC55 / MC65

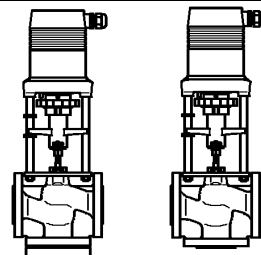


B1/B2 Connection of a binary signal (e.g. frost safety)

01/03/2011 Data subject to change without notice

Flanged connection
PN 6 / PN 16
Cast iron

with electric actuators
MC55/24 • MC55/230 • MC55Y
MC65/24 • MC65/230 • MC65Y
MC100/24 • MC100/230
MC160/24 • MC160/230
MC161/24 • MC161/230
MC250/24 • MC250/230
MC400/24 • MC400/230
MC500/24 • MC500/230
MC1000/24 • MC1000/230



BR206GF
BR216GF

BR306GF
BR316GF

Technical data actuator MC100 – MC1000

Type		MC100/24	MC100/230
Actuating time ¹⁾	s/mm	12 · 9* · 4 · 1.9	12 · 9* · 4 · 1.9
Actuating thrust	kN	1.0	1.0
Stroke	mm	max. 20	max. 20
Power supply	VAC	24 ±10%	230 +6% -10%
Power supply ²⁾	VDC	24 ±10%	-
Frequency	Hz	50/60 ±5%	50/60 ±5%
Power consumption	VA	6	12
Input signal ³⁾		3-point 0(2)...10 VDC 77 kOhm 0(4)...20 mA 0.51 kOhm	3-point 0(2)...10 VDC 77 kOhm 0(4)...20 mA 0.51 kOhm
Output signal ³⁾		0...10 VDC max. 8 mA min. 1200 Ohm	0...10 VDC max. 8 mA min. 1200 Ohm
Hysteresis ⁴⁾	V	0.15 · 0.5	0.15 · 0.5

Type		MC160/24	MC161/24	MC160/230	MC161/230
Actuating time ¹⁾	s/mm	6 · 4*		6 · 4*	
Actuating thrust	kN	1.6		1.6	
Stroke	mm	max. 30	max. 20	max. 30	max. 20
Power supply	VAC	24 ±10%		230 +6% -10%	
Power supply ²⁾	VDC	24 ±10%		-	
Frequency	Hz	50/60 ±5%		50/60 ±5%	
Power consumption	VA	6		12	
Input signal ³⁾		3-point 0(2)...10 VDC 77 kOhm 0(4)...20 mA 0.51 kOhm		3-point 0(2)...10 VDC 77 kOhm 0(4)...20 mA 0.51 kOhm	
Output signal ³⁾		0...10 VDC max. 8 mA min. 1200 Ohm		0...10 VDC max. 8 mA min. 1200 Ohm	
Hysteresis ⁴⁾	V	0.05 · 0.15 · 0.3 · 0.5		0.05 · 0.15 · 0.3 · 0.5	

¹⁾ Actuating time freely adjustable, presetting is marked with *

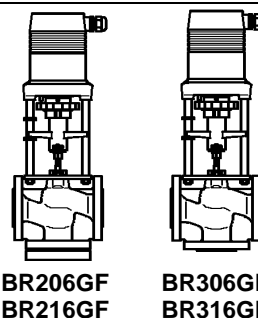
²⁾ only rectified alternating voltage

³⁾ Invertible input and output signal

⁴⁾ Freely adjustable

Flanged connection
PN 6 / PN 16
Cast iron

with electric actuators
MC55/24 • MC55/230 • MC55Y
MC65/24 • MC65/230 • MC65Y
MC100/24 • MC100/230
MC160/24 • MC160/230
MC161/24 • MC161/230
MC250/24 • MC250/230
MC400/24 • MC400/230
MC500/24 • MC500/230
MC1000/24 • MC1000/230



Type		MC250/24	MC250/230
Actuating time ¹⁾	s/mm	5 · 2.5*	5 · 2.5*
Actuating thrust	kN	2.5	2.5
Stroke	mm	max. 60	max. 60
Power supply	VAC	24 ±10%	230 +6% -10%
Power supply ²⁾	VDC	24 ±10%	-
Frequency	Hz	50/60 ±5%	50/60 ±5%
Power consumption	VA	max. 18	max. 25
Input signal ³⁾		3-point 0(2)...10 VDC 77 kOhm 0(4)...20 mA 0.51 kOhm	3-point 0(2)...10 VDC 77 kOhm 0(4)...20 mA 0.51 kOhm
Output signal ³⁾		0...10 VDC max. 8 mA min. 1200 Ohm	0...10 VDC max. 8 mA min. 1200 Ohm
Hysteresis ⁴⁾	V	0.05 · 0.15 · 0.3 · 0.5	0.05 · 0.15 · 0.3 · 0.5

Type		MC400/24	MC400/230
Actuating time ¹⁾	s/mm	0.6 · 0.4*	0.6 · 0.4*
Actuating thrust	kN	4.0	4.0
Stroke	mm	max. 60	max. 60
Power supply	VAC	24 ±10%	230 +6% -10%
Power supply ²⁾	VDC	50/60 ±5%	50/60 ±5%
Frequency	Hz	max. 50	max. 63
Power consumption	VA	3-point 0(2)...10 VDC 77 kOhm 0(4)...20 mA 0.51 kOhm	3-point 0(2)...10 VDC 77 kOhm 0(4)...20 mA 0.51 kOhm
Input signal ³⁾		0...10 VDC max. 8 mA min. 1200 Ohm	0...10 VDC max. 8 mA min. 1200 Ohm
Output signal ³⁾		0.05 · 0.15 · 0.3 · 0.5	0.05 · 0.15 · 0.3 · 0.5

¹⁾ Actuating time freely adjustable, presetting is marked with *

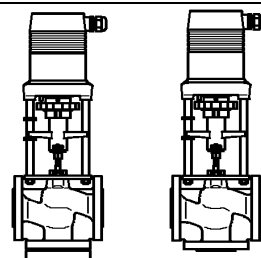
²⁾ only rectified alternating voltage

³⁾ Invertible input and output signal

⁴⁾ Freely adjustable

Flanged connection
PN 6 / PN 16
Cast iron

with electric actuators
MC55/24 • MC55/230 • MC55Y
MC65/24 • MC65/230 • MC65Y
MC100/24 • MC100/230
MC160/24 • MC160/230
MC161/24 • MC161/230
MC250/24 • MC250/230
MC400/24 • MC400/230
MC500/24 • MC500/230
MC1000/24 • MC1000/230



**BR206GF
BR216GF**

**BR306GF
BR316GF**

Type		MC500/24	MC500/230
Actuating time ¹⁾	s/mm	5 · 2.5*	5 · 2.5*
Actuating thrust	kN	5.0	5.0
Stroke	mm	max. 60	max. 60
Power supply	VAC	24 ±10%	230 +6% -10%
Power supply ²⁾	VDC	24 ±10%	-
Frequency	Hz	50/60 ±5%	50/60 ±5%
Power consumption	VA	max. 18	max. 25
Input signal ³⁾		3-point 0(2)...10 VDC 77 kOhm 0(4)...20 mA 0.51 kOhm	3-point 0(2)...10 VDC 77 kOhm 0(4)...20 mA 0.51 kOhm
Output signal ³⁾		0...10 VDC max. 8 mA min. 1200 Ohm	0...10 VDC max. 8 mA min. 1200 Ohm
Hysteresis ⁴⁾	V	0.05 · 0.15 · 0.3 · 0.5	0.05 · 0.15 · 0.3 · 0.5

Type		MC1000/24	MC1000/230
Actuating time	s/mm	1	1
Actuating thrust	kN	10	10
Stroke	mm	max. 60	max. 60
Power supply	VAC	24 ±10%	230 +6% -10%
Frequency	Hz	50/60 ±5%	50/60 ±5%
Power consumption	VA	max. 50	max. 63
Input signal ¹⁾		3-Punkt 0(2)...10 VDC 77 kOhm 0(4)...20 mA 0.51 kOhm	3-Punkt 0(2)...10 VDC 77 kOhm 0(4)...20 mA 0.51 kOhm
Output signal ¹⁾		0...10 VDC max. 8 mA min. 1200 Ohm	0...10 VDC max. 8 mA min. 1200 Ohm
Hysteresis ²⁾	V	0.05 · 0.15 · 0.3 · 0.5	0.05 · 0.15 · 0.3 · 0.5

Enclosure protection: IP 54

Resolution:

MC...	electric	0.04 VDC
MC100	mechanical	0.095 mm
MC160 / MC161	mechanical	0.05 mm
MC250 / MC500	mechanical	0.04 mm
MC400	mechanical	0.12 mm
MC1000	mechanical	0.05 mm

Operating mode:

MC100 – MC500	S3-50% ED c/h 1200	EN 60034-1
MC400 / MC1000	S3-30% ED c/h 1200	EN 60034-1

End position switch-off: load-dependent

¹⁾ Stellzeit frei wählbar, Voreinstellung ist mit * gekennzeichnet, vor Ort einstellbar

²⁾ nur gleichgerichtete Wechselspannung

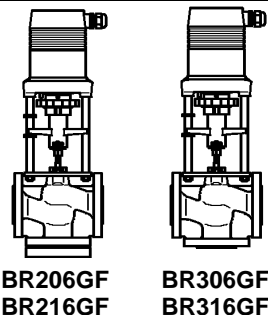
³⁾ stetige Signale invertierbar

⁴⁾ vor Ort einstellbar

Ambient temperature: MC100 / MC160 / MC161 0...+60°C

Flanged connection
PN 6 / PN 16
Cast iron

with electric actuators
MC55/24 • MC55/230 • MC55Y
MC65/24 • MC65/230 • MC65Y
MC100/24 • MC100/230
MC160/24 • MC160/230
MC161/24 • MC161/230
MC250/24 • MC250/230
MC400/24 • MC400/230
MC500/24 • MC500/230
MC1000/24 • MC1000/230



MC250 / MC400 / MC500 / MC1000 -10...+60°C

Weight:

MC100	2.5 kg
MC160 and MC161	3.2 kg
MC250/24 and MC500/24	7.0 kg
MC250/230 and MC500/230	8.2 kg
MC400	9.5 kg
MC1000	11.0 kg

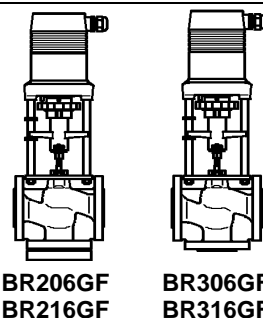
Actuator variant and accessories

- Voltage: 115 VAC
- Position switch unit ¹⁾: 2 switches (WE1/WE2), potential free, infinitely adjustable
 Rated load: 8 A / 250 VAC
 8 A / 30 VDC
 Turn-on voltage: max. 400 VAC
 max. 125 VDC
- Enclosure protection: IP 65
- Board for output signal X=0(4)...20 mA ¹⁾
- Adapter with coupling for external products

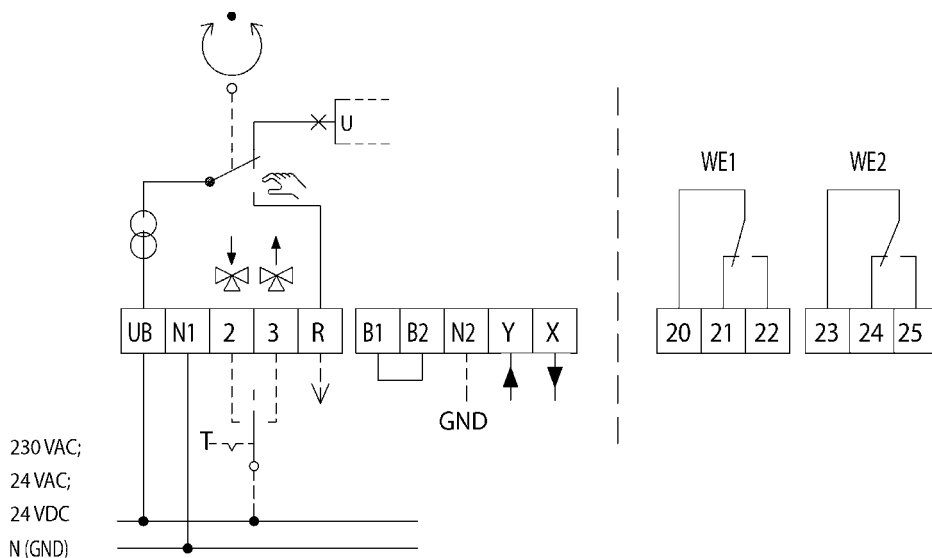
³⁾ MC100/MC160/MC161: Position switch unit and output signal 0(4)...20 mA not in combination

Flanged connection
PN 6 / PN 16
Cast iron

with electric actuators
MC55/24 • MC55/230 • MC55Y
MC65/24 • MC65/230 • MC65Y
MC100/24 • MC100/230
MC160/24 • MC160/230
MC161/24 • MC161/230
MC250/24 • MC250/230
MC400/24 • MC400/230
MC500/24 • MC500/230
MC1000/24 • MC1000/230

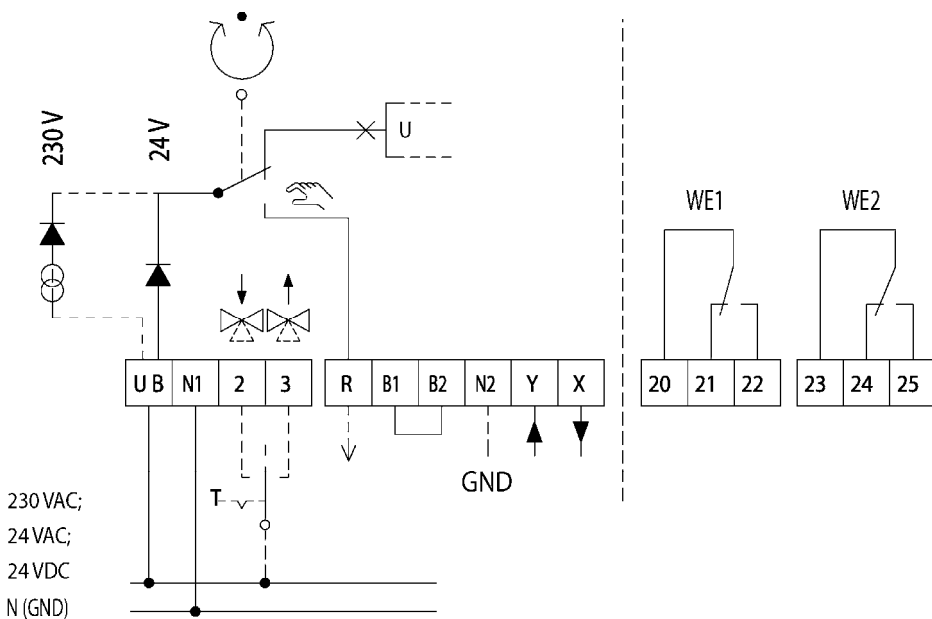


Circuit diagram MC100 / MC160 / MC161



B1/B2 Connection of a binary signal (e.g. frost safety)

Circuit diagram MC250 / MC400 / MC500 / MC1000

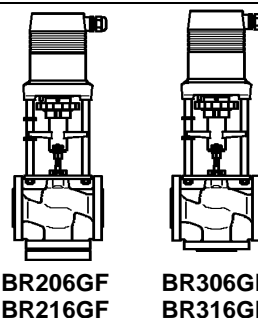


B1/B2 Connection of a binary signal (e.g. frost safety)

01/03/2011 Data subject to change without notice

Flanged connection
PN 6 / PN 16
Cast iron

with electric actuators
MC55/24 • MC55/230 • MC55Y
MC65/24 • MC65/230 • MC65Y
MC100/24 • MC100/230
MC160/24 • MC160/230
MC161/24 • MC161/230
MC250/24 • MC250/230
MC400/24 • MC400/230
MC500/24 • MC500/230
MC1000/24 • MC1000/230



Technical data valve with actuator

PN 6

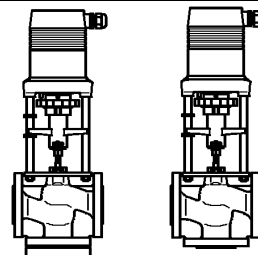
DN		15	20	25	32	40	50	65	65	80	100	
kvs-value	m³/h	4	6.3	10	16	25	40	63	63	100	160	
		2.5	5	8	12.5	20	31.5	50	50	80	125	
		1.6										
		1.25										
		0.63										
Stroke	mm	14						20	30			
MC55/24 MC55/230 MC55Y	Actuating time ¹⁾	125										
		70*										
	Closing pressure	kPa	600	600	600	450	250	150				
MC65/24 MC65/230 MC65Y	Actuating time ¹⁾	s							180			
									100*			
	Closing pressure	kPa							100			
MC100/24 MC100/230	Actuating time ¹⁾	s	170						240			
			125*						180*			
			55						80			
			30						40			
	Closing pressure	kPa	600	600	600	600	550	350	150			
MC161/24 MC161/230	Actuating time ¹⁾	s					95		120			
							55*		80*			
	Closing pressure	kPa					600	600	350			
MC160/24 MC160/230	Actuating time ¹⁾	s							120	180		
									80*	120*		
	Closing pressure	kPa							350	230	140	
MC250/24 MC250/230	Actuating time ¹⁾	s							100	150		
									50*	75*		
	Closing pressure	kPa							600	350	250	
MC400/24 MC400/230	Actuating time ¹⁾	s							15	20		
									10*	15*		
	Closing pressure	kPa							600	600	400	
MC500/24 MC500/230	Actuating time ¹⁾	s							100	150		
									50*	75*		
	Closing pressure	kPa							600	600	500	

100 kPa = 1 bar = 10 mWS

¹⁾ Actuating time freely adjustable, presetting is marked with *

Flanged connection
PN 6 / PN 16
Cast iron

with electric actuators
MC55/24 • MC55/230 • MC55Y
MC65/24 • MC65/230 • MC65Y
MC100/24 • MC100/230
MC160/24 • MC160/230
MC161/24 • MC161/230
MC250/24 • MC250/230
MC400/24 • MC400/230
MC500/24 • MC500/230
MC1000/24 • MC1000/230



BR206GF
BR216GF

BR306GF
BR316GF

PN 16

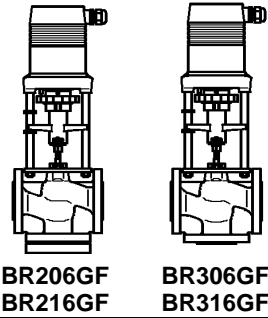
DN	15	20	25	32	40	50	65	65	80	100	125	150	
kvs-value	4 2.5 1.6 1.25 0.63	6.3 5	10 8	16 12.5	25 20	40 31.5	63 50	63 50	100 80	160 125	250	315	
Stroke	mm						14	20	30		50		
MC55/24 MC55/230 MC55Y	Actuating time ¹⁾	s						125					
		s						70*					
MC55/24 MC55/230 MC55Y	Closing pressure	kPa						1500	1250	750	450	250	150
		kPa						180					
MC65/24 MC65/230 MC65Y	Actuating time ¹⁾	s						100*					
		kPa						100					
MC100/24 MC100/230	Actuating time ¹⁾	s						170					
		s						125*					
		s						55					
		s						30					
MC100/24 MC100/230	Closing pressure	kPa						1600	1600	1500	900	550	350
		kPa						120					
MC161/24 MC161/230	Actuating time ¹⁾	s						95					
		s						55*					
MC161/24 MC161/230	Closing pressure	kPa						1500	950	600	350		
		kPa						120					
MC160/24 MC160/230	Actuating time ¹⁾	s						120					
		s						80*					
MC160/24 MC160/230	Closing pressure	kPa						350	230	140			
		kPa						100					
MC250/24 MC250/230	Actuating time ¹⁾	s						150					
		s						50*					
MC250/24 MC250/230	Closing pressure	kPa						600	350	250	160	120	
		kPa						15					
MC400/24 MC400/230	Actuating time ¹⁾	s						20					
		s						10*					
MC400/24 MC400/230	Closing pressure	kPa						950	650	400	200	130	
		kPa						100					
MC500/24 MC500/230	Actuating time ¹⁾	s						150					
		s						50*					
MC500/24 MC500/230	Closing pressure	kPa						1250	850	500	370	270	
		kPa						50					
MC1000/24 MC1000/230	Actuating time ¹⁾	s						250					
		kPa						50					
MC1000/24 MC1000/230	Closing pressure	kPa						800					
		kPa						550					

100 kPa = 1 bar = 10 mWS

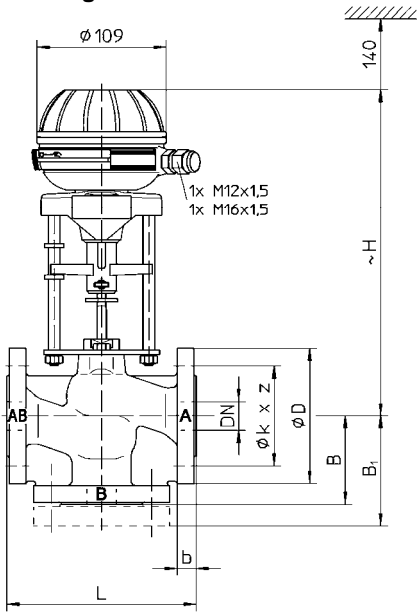
¹⁾ Actuating time freely adjustable, presetting is marked with *

Flanged connection
PN 6 / PN 16
Cast iron

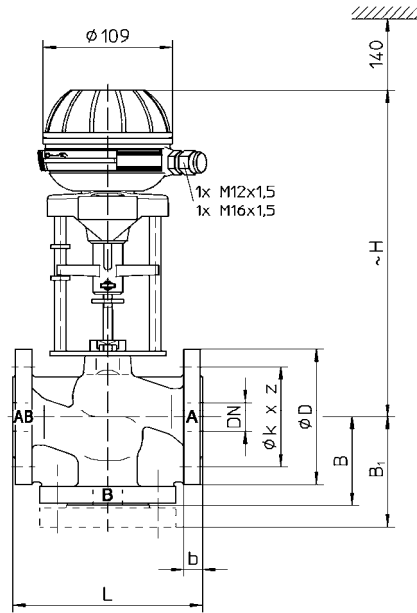
with electric actuators
MC55/24 • MC55/230 • MC55Y
MC65/24 • MC65/230 • MC65Y
MC100/24 • MC100/230
MC160/24 • MC160/230
MC161/24 • MC161/230
MC250/24 • MC250/230
MC400/24 • MC400/230
MC500/24 • MC500/230
MC1000/24 • MC1000/230



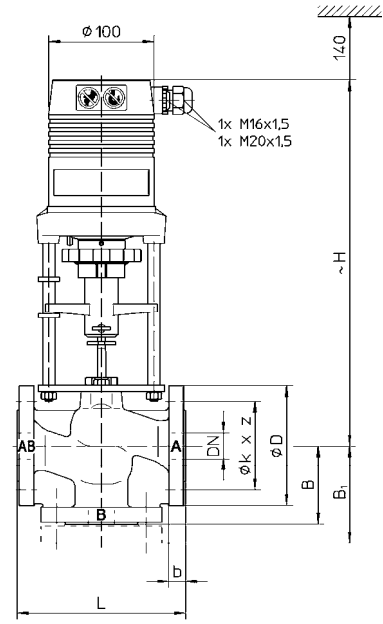
Drawing



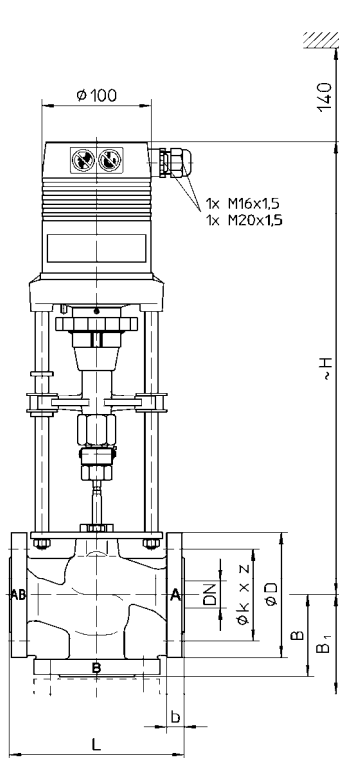
DN 15 – DN 50
MC55



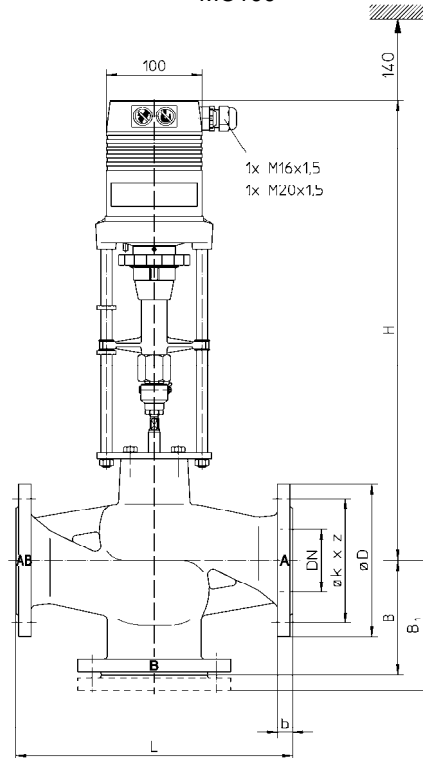
DN 65 (stroke 20)
MC65



DN 15 – DN 65 (stroke 20)
MC100



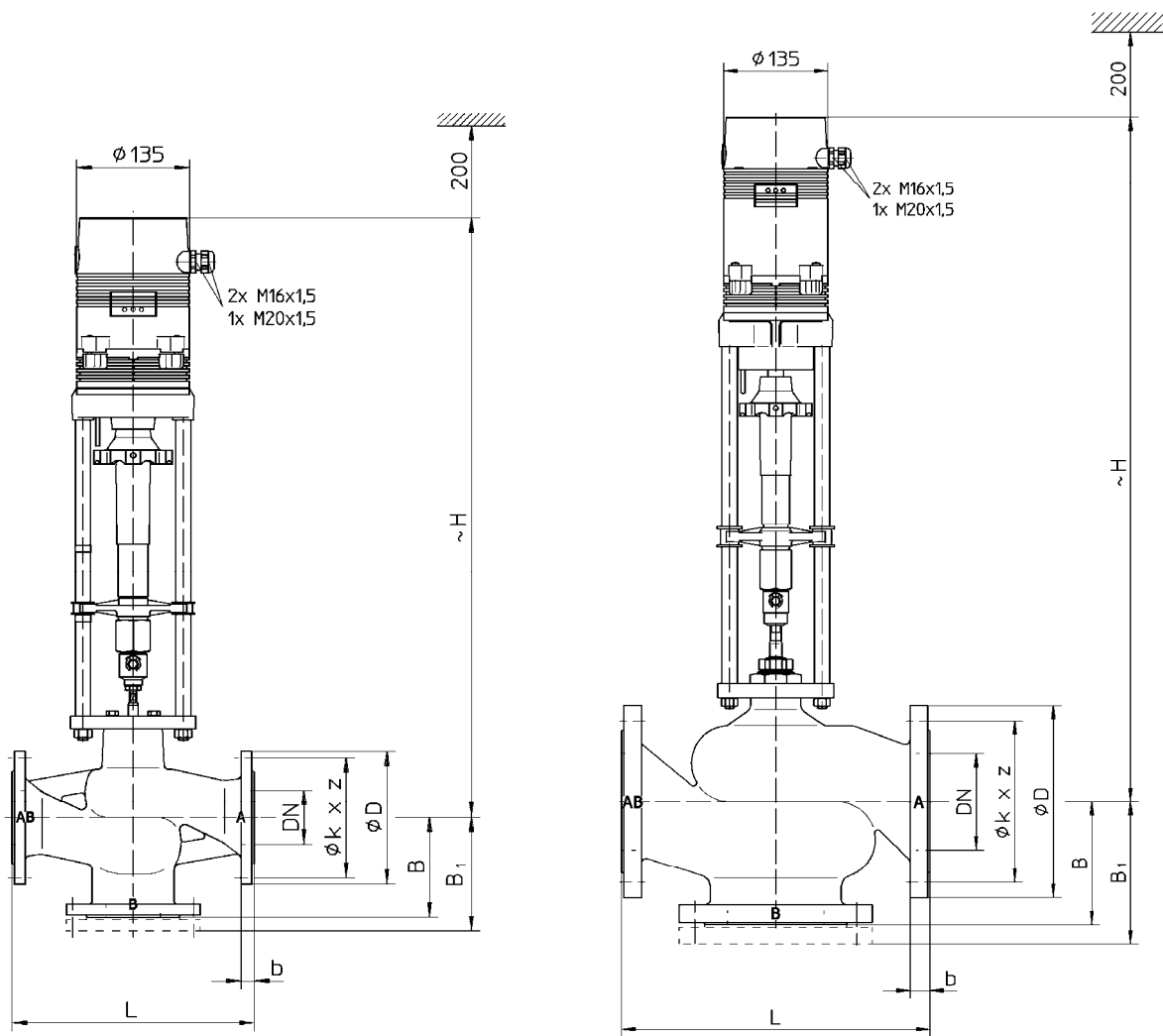
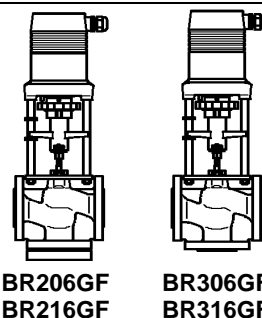
DN 32 – DN 65 (stroke 20)
MC161



DN 65 (stroke 30) – DN 100
MC160

Flanged connection
PN 6 / PN 16
Cast iron

with electric actuators
MC55/24 • MC55/230 • MC55Y
MC65/24 • MC65/230 • MC65Y
MC100/24 • MC100/230
MC160/24 • MC160/230
MC161/24 • MC161/230
MC250/24 • MC250/230
MC400/24 • MC400/230
MC500/24 • MC500/230
MC1000/24 • MC1000/230



DN 65 (stroke 30) – DN 100

DN 125 – DN 150

MC250 / MC400 / MC500 / MC1000

Installation instruction:

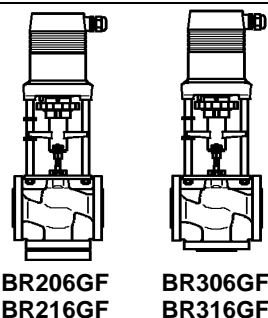
Valve trim could be damaged by dirt in the pipe system. Therefore we recommend the installation of strainers.

Control valves with electric actuators up to 150°C

PN 6 / 16 **2.2.3**

Flanged connection
PN 6 / PN 16
Cast iron

with electric actuators
MC55/24 • MC55/230 • MC55Y
MC65/24 • MC65/230 • MC65Y
MC100/24 • MC100/230
MC160/24 • MC160/230
MC161/24 • MC161/230
MC250/24 • MC250/230
MC400/24 • MC400/230
MC500/24 • MC500/230
MC1000/24 • MC1000/230



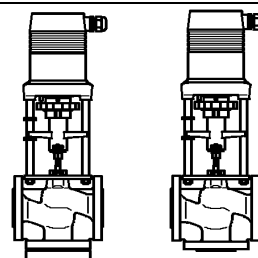
Dimension

PN 6

DN		15	20	25	32	40	50	65	80	100	
L	mm	130	150	160	180	200	230	290	310	350	
B	mm	65	70	75	95	100	100	120	130	150	
B ₁	mm	86	93	98	119	124	124	144	158	178	
∅ D	mm	80	90	100	120	130	140	160	190	210	
∅ k	mm	55	65	75	90	100	110	130	150	170	
z	mm	4x ∅11			4x ∅14			4x ∅18			
b	mm	12	14	14	16	16	16	16	18	18	
H	MC55	24 VAC/230 VAC	mm	267	272	277	277	282	282		
	MC65	24 VAC/230 VAC	mm						335		
	MC100	24 VAC	mm	343	348	353	353	358	358	408	
		230 VAC	mm	368	373	378	378	383	383	433	
	MC161	24 VAC	mm					448	448	486	
		230 VAC	mm					473	473	511	
	MC160	24 VAC	mm						486	496	506
		230 VAC	mm						511	521	531
	MC250	24 VAC/230 VAC	mm						645	655	665
	MC400	24 VAC/230 VAC	mm						695	705	715
MC500	24 VAC/230 VAC	mm						645	655	665	
m	MC55	BR206GF	kg	4.3	5.4	6.3	8.6	10.3	12.0		
		BR306GF	kg	3.7	4.5	5.2	7.1	8.5	9.9		
	MC65	BR206GF	kg							19.4	
		BR306GF	kg							16.2	
	MC100	BR206GF	kg	5.3	6.4	7.3	9.6	11.3	13.0	20.4	
		BR306GF	kg	4.7	5.5	6.2	8.1	9.5	10.9	17.2	
	MC161	BR206GF	kg					12.0	13.7	21.1	
		BR306GF	kg					10.2	11.6	17.9	
	MC160	BR206GF	kg						21.1	29.5	40.3
		BR306GF	kg						17.9	25.2	34.2
	MC250/ MC500 24 VAC	BR206GF	kg						24.9	33.3	44.1
		BR306GF	kg						21.7	29.0	38.0
	MC250/ MC500 230 VAC	BR206GF	kg						26.1	34.5	45.3
		BR306GF	kg						22.9	30.2	39.2
	MC400	BR206GF	kg						27.4	35.8	46.6
		BR306GF	kg						24.2	31.5	40.5

Flanged connection
PN 6 / PN 16
Cast iron

with electric actuators
MC55/24 • MC55/230 • MC55Y
MC65/24 • MC65/230 • MC65Y
MC100/24 • MC100/230
MC160/24 • MC160/230
MC161/24 • MC161/230
MC250/24 • MC250/230
MC400/24 • MC400/230
MC500/24 • MC500/230
MC1000/24 • MC1000/230



**BR206GF
BR216GF**

**BR306GF
BR316GF**

PN 16

DN		15	20	25	32	40	50	65	80	100	125	150	
L	mm	130	150	160	180	200	230	290	310	350	400	480	
B	mm	65	70	75	95	100	100	120	130	150	160	170	
B ₁	mm	89	96	101	123	128	130	150	162	182	194	207	
∅ D	mm	95	105	115	140	150	165	185	200	220	250	285	
∅ k	mm	65	75	85	100	110	125	145	160	180	210	240	
z	mm	4x ∅14			4x ∅18				8x ∅18			8x	
b	mm	14	16	16	18	18	20	20	22	24	26	26	
H	MC55	24 VAC/230 VAC	mm	267	272	277	277	282	282				
	MC65							335					
	MC100	24 VAC	mm	343	348	353	353	358	358	408			
		230 VAC	mm	368	373	378	378	383	383	433			
	MC161	24 VAC	mm				443	448	448	486			
		230 VAC	mm				468	473	473	511			
	MC160	24 VAC	mm						486	496	506		
		230 VAC	mm						511	521	531		
	MC250	24 VAC/230 VAC	mm						645	655	665	805	805
	MC400	24 VAC/230 VAC	mm						695	705	715	855	855
MC500	24 VAC/230 VAC	mm						645	655	665	805	805	
MC1000	24 VAC/230 VAC	mm									895	895	
m	MC55	BR216GF	kg	5.6	6.8	8.1	11.5	13.3	16.8				
		BR316GF	kg	4.6	5.5	6.5	9.1	10.6	13.1				
	MC65	BR216GF	kg							26.3			
		BR316GF	kg							21.5			
	MC100	BR216GF	kg	6.6	7.8	9.1	12.5	14.3	17.8	27.3			
		BR316GF	kg	5.6	6.5	7.5	10.1	11.6	14.1	22.5			
	MC161	BR216GF	kg				13.2	15.0	18.5	28.0			
		BR316GF	kg				10.8	12.3	14.8	23.2			
	MC160	BR216GF	kg							28.0	33.0	46.1	
		BR316GF	kg							23.2	27.2	39.2	
MC250/ MC500 24 VAC	BR216GF	kg							31.8	36.8	49.9	69.0	97.0
	BR316GF	kg							27.0	31.0	43.0	59.0	84.0
MC250/ MC500 230 VAC	BR216GF	kg							33.0	38.0	51.1	70.2	98.2
	BR316GF	kg							28.2	32.2	44.2	60.2	85.2
MC400	BR216GF	kg							34.3	39.3	52.4	71.5	99.5
	BR316GF	kg							29.5	33.5	45.5	61.5	86.5
MC1000	BR216GF	kg										73	101
	BR316GF	kg										63	88