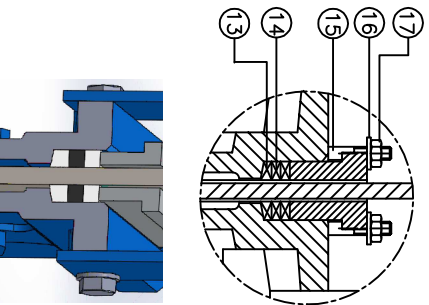


DN	INCHES	A	B	C	D	E
50	2"	40	90	65	238	294
65	2 1/2"	40	90	70	266	322
80	3"	50	90	92	291	347
100	4"	50	90	107	337	393
125	5"	50	100	120	366	633
150	6"	60	100	130	416	472
200	8"	60	120	158	523	581
250	10"	70	120	200	622	680

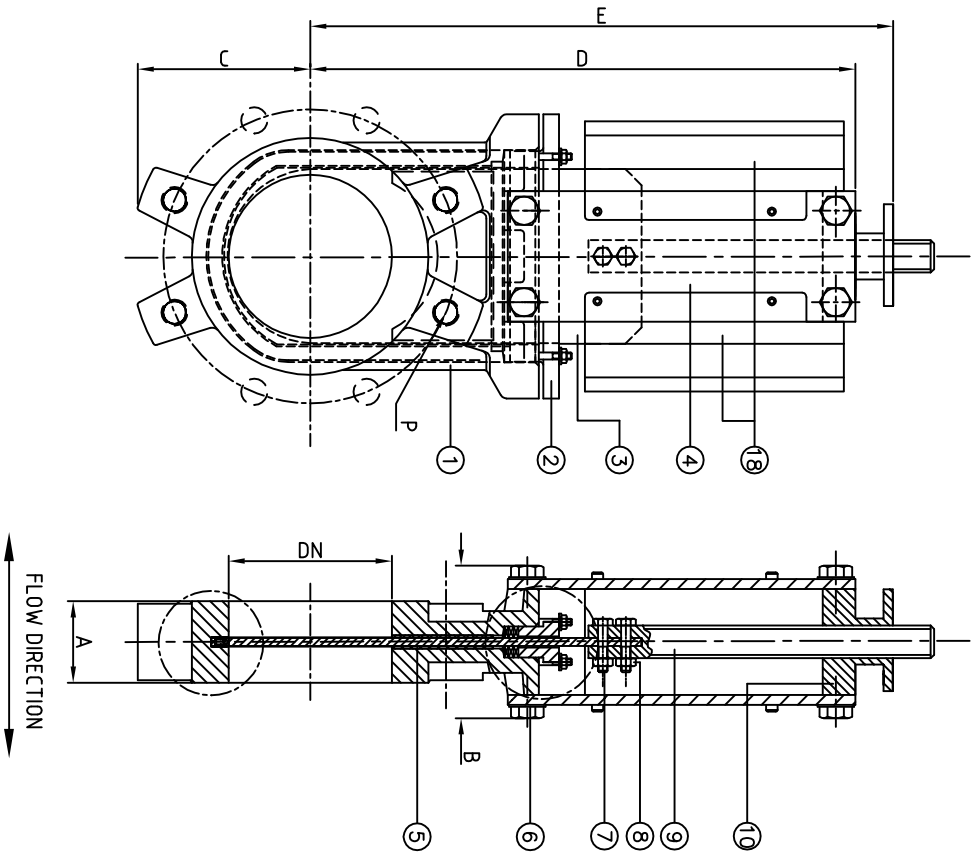
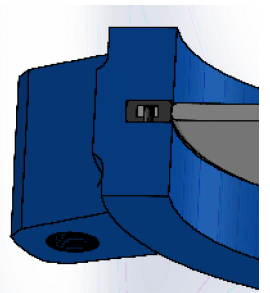
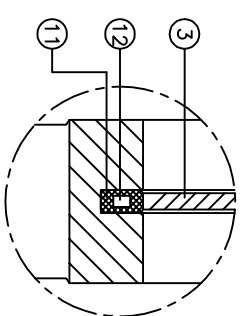
PACKING DETAIL:



DN	INCHES	ØK	PN 10	NO. HOLES	P	PN 10
50	2"	125	4	4	M16	M16
65	2 1/2"	145	4	4	M16	M16
80	3"	160	8	8	M16	M16
100	4"	180	8	8	M16	M16
125	5"	210	8	8	M16	M16
150	6"	240	8	8	M20	M20
200	8"	295	8	8	M20	M20
250	10"	350	12	12	M20	M20

Max. working pressure 10bar

SEAT DETAIL:



Protections	18	AISI304L			
Nut	17	A2			
Washer	16	A2			
Studs	15	A2			
Toric joint	14	EPDM / NBR / VITON			
Packing	13	SYNT+PTFE			
Seat reinforcement	12	Steel			
Seat	11	EPDM / NBR / VITON			
Maneuvering support	10	Steel			RAL 5015
Spindle	9	AISI303			
Union nuts spindle-gate	8	A2			
Union studs spindle-gate	7	A2			
Bolts	6	A2			
Internal guides	5	Cestilene HD1000			
Support plate	4	Steel			RAL 5015
Gate	3	AISI304L / AISI316L			
Gasket clamp	2	Aluminium			
Body	1	Cast iron GG25			RAL 5015
Number of pieces		Material (Standard configuration)		Remarks	
Demontition		Marks			
Drawn	27/04/2018	By	Type		
Approved	27/04/2018	J.S	Knife gate valve		
Last modifications		Designation		T700E ISO Top Flange	
		ZUBI			