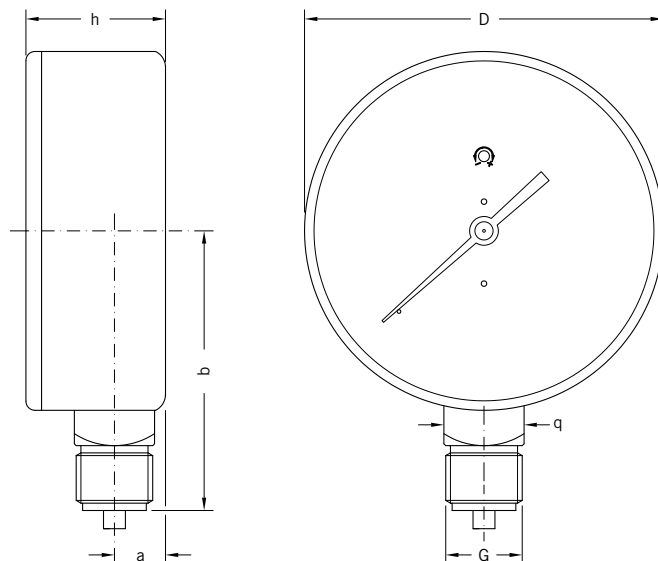


Gas gauge, capsule pressure gauges, bottom connection, gas-specific version, DN 63–80–100



Code	Description	Connection	Scale
GM040-63	MP 63 RM	¼"	40 mbar
GM060-63	MP 63 RM	¼"	60 mbar
GM100-63	MP 63 RM	¼"	100 mbar
GM160-63	MP 63 RM	¼"	160 mbar
GM250-63	MP 63 RM	¼"	250 mbar
GM400-63	MP 63 RM	¼"	400 mbar
GM600-63	MP 63 RM	¼"	600 mbar

GM040-80	MP 80 RM	⅜"	40 mbar
GM060-80	MP 80 RM	⅜"	60 mbar
GM100-80	MP 80 RM	⅜"	100 mbar
GM160-80	MP 80 RM	⅜"	160 mbar
GM250-80	MP 80 RM	⅜"	250 mbar
GM400-80	MP 80 RM	⅜"	400 mbar
GM600-80	MP 80 RM	⅜"	600 mbar

GM040-100	MP 100 RM	½"	40 mbar
GM060-100	MP 100 RM	½"	60 mbar
GM100-100	MP 100 RM	½"	100 mbar
GM160-100	MP 100 RM	½"	160 mbar
GM250-100	MP 100 RM	½"	250 mbar
GM400-100	MP 100 RM	½"	400 mbar
GM600-100	MP 100 RM	½"	600 mbar

DIMENSIONS (mm) and WEIGHT (gr)							
MOD	D	G	q	a	b	h	PESO/WEIGHT
MP 63 RM	63	R¼"	14x14	11	50	31	165
MP 80 RM	80	G ⅜"	17x17	12	63	32	230
MP 100 RM	100	G½"	22x22	14	77	38	415

TECHNICAL FEATURES

Applications Pressure gauges for measuring low pressures (max. 600 mbar). Particularly suitable for combustible gases (methane, propane and similar) or other non-corrosive to copper and tin alloys.

Main fields of application

- domestic distribution systems and use of fuel gases
- tests to verify pressure supply and gas usage
- industrial and technical equipment

Normative References

- EN 837-3
- 1.6 precision class
- CE 1997-23 directive (PED)
- degree of protection IP31 according to EN 60529

Operating limits

Temperatures On the body of the pressure gauge -40 ÷ +70 °C
Of pressurized fluid max 70 °C

Pressure Up to 3/4 of the full scale value for static pressures
Up to 2/3 of the full scale value for fluctuating pressure
Up to the full scale value for short periods

Fluids Liquid or gaseous non-corrosive to copper alloys, not highly viscous, not crystallising. Gauges not suitable for oxygen

Construction features

- grey oven-painted steel case
- crystal clear methacrylate window
- prepainted aluminium white dial
- black graphics
- aluminium indicator
- brass coupling
- sensitive system: membrane in beryllium copper and brass alloy clockwork mechanism (OT59)