

Gas Filters

» Gas filters can be used for all the types of natural gas, LPG or not corrosive gases. These filters are widely used for protection of control devices, pressure regulators, meters and on systems that requiring an high degree of filtration.

Gas Filters

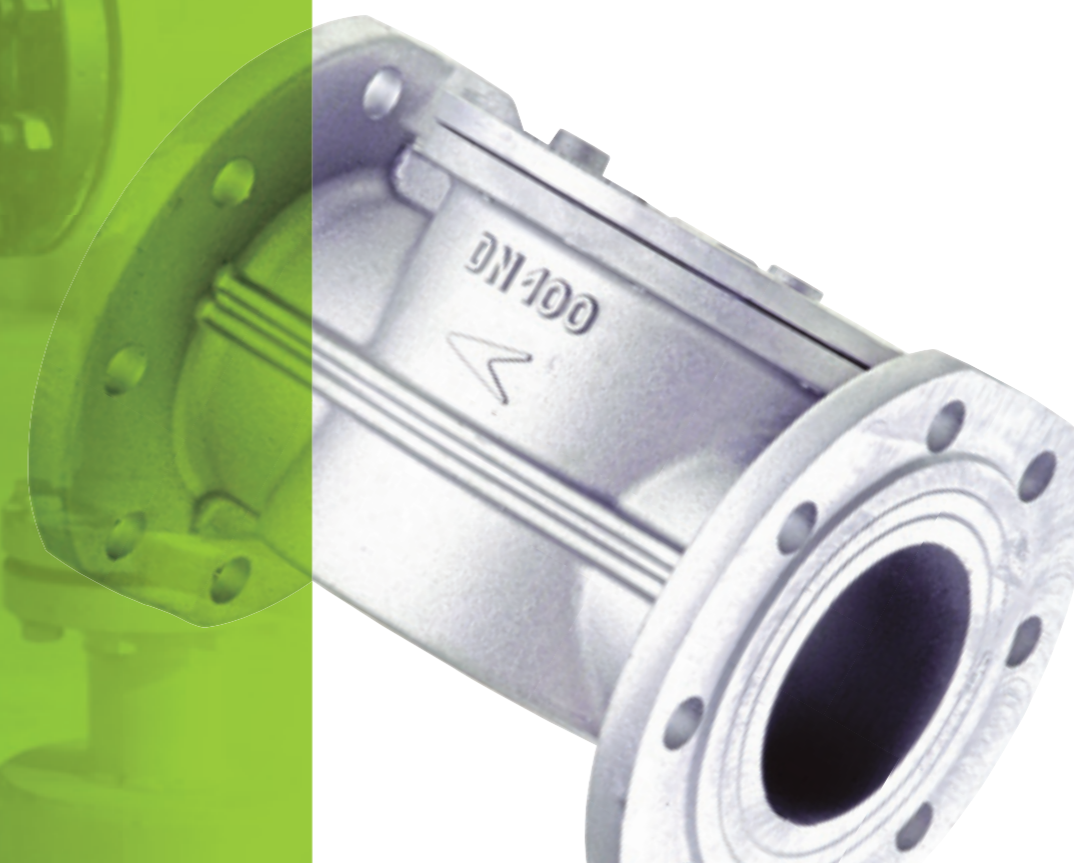
GAS FILTER ½", ¾", 1" – Small capacity – Pmax 6 bar p. 52

GAS FILTER ½", ¾", 1" – Pmax 6 bar p. 54

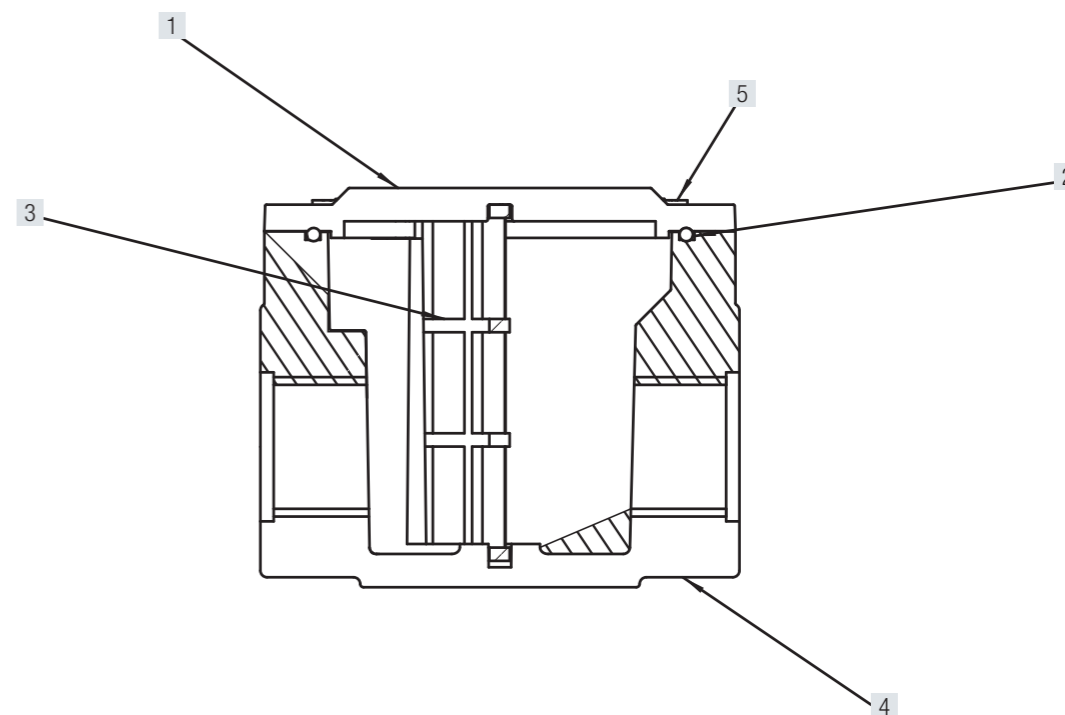
GAS FILTER 1 ¼", 1 ½" and 2" – Pmax 6 bar p. 56

GAS FILTER DN65 – DN80 – DN100 – Pmax 6 bar p. 58

GAS FILTER DN125 – DN150 – Pmax 6 bar p. 60



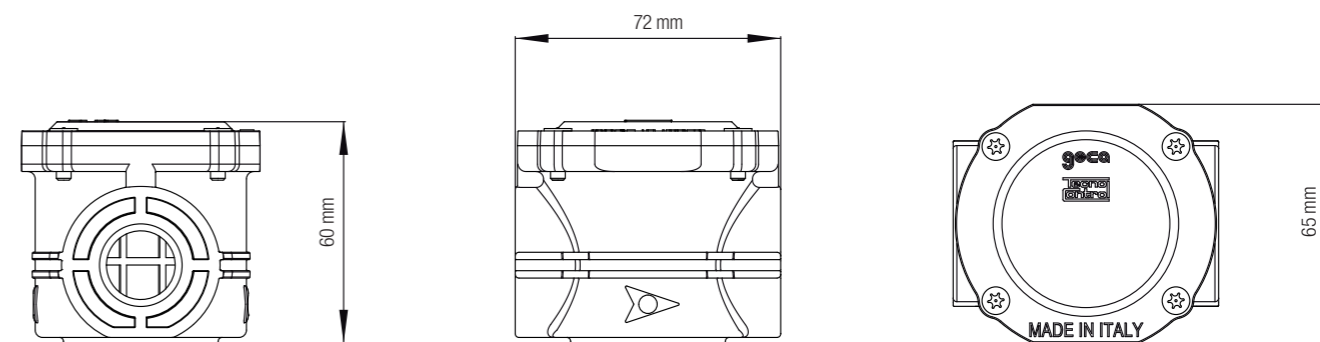
GAS FILTER 1/2", 3/4", 1" – Small capacity – Pmax 6 bar



- 1 Test point connection
- 2 Seal O ring
- 3 Filter cartridge
- 4 Body
- 5 Cover

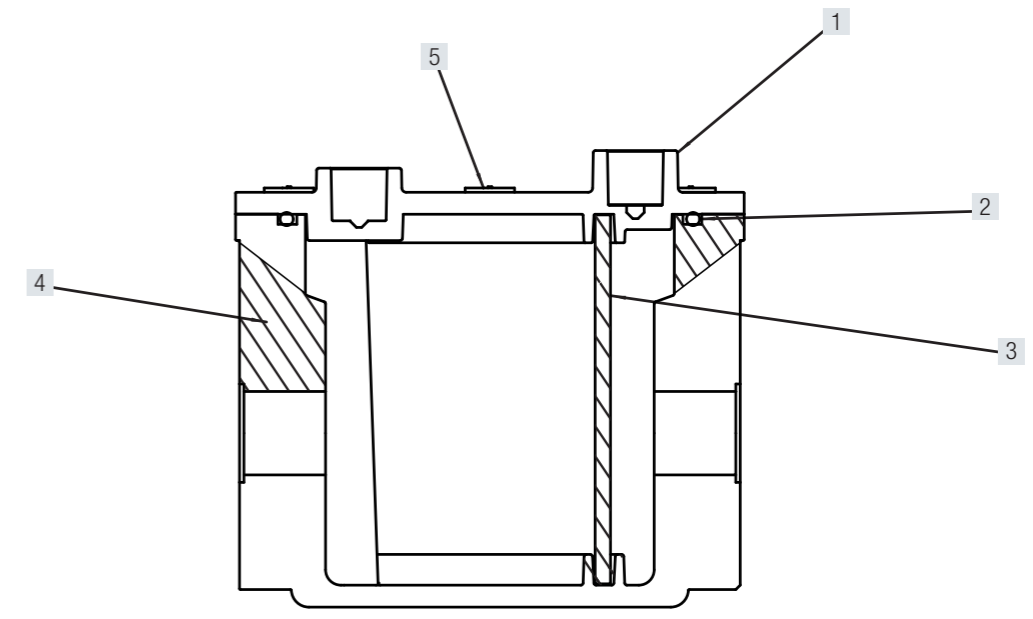
| Code | Description | Dimension | Pmax |
|---------|---------------------------|-----------|-------|
| GF015SC | Gas filter small capacity | 1/2" | 6 bar |
| GF020SC | Gas filter small capacity | 3/4" | 6 bar |
| GF025SC | Gas filter small capacity | 1" | 6 bar |

| TECHNICAL FEATURES | |
|-----------------------------------|---------------------------------------------------|
| Operation maximum pressure | 6 bar / available version 10 bar |
| Working Temperature | - 20 °C – + 60 °C |
| Filtration | ≤ 50 Micron |
| Use | Non – aggressive gases – Family 1 – 2 – 3 and air |
| Cartridge element | Plastic cartridge PP |
| Connection | 1/2" – 3/4" – 1" Wall boiler – ISO 228 |
| Complete Body | Die – Cast Aluminium Gd – AISi12Cu – EN AB 46100 |
| Seals | NBR |
| Approval | PED |



| Dimension | 1/2" | 3/4" | 1" |
|---------------------|-------|-------|-------|
| WEIGHT (kgs) | 0,221 | 0,212 | 0,199 |

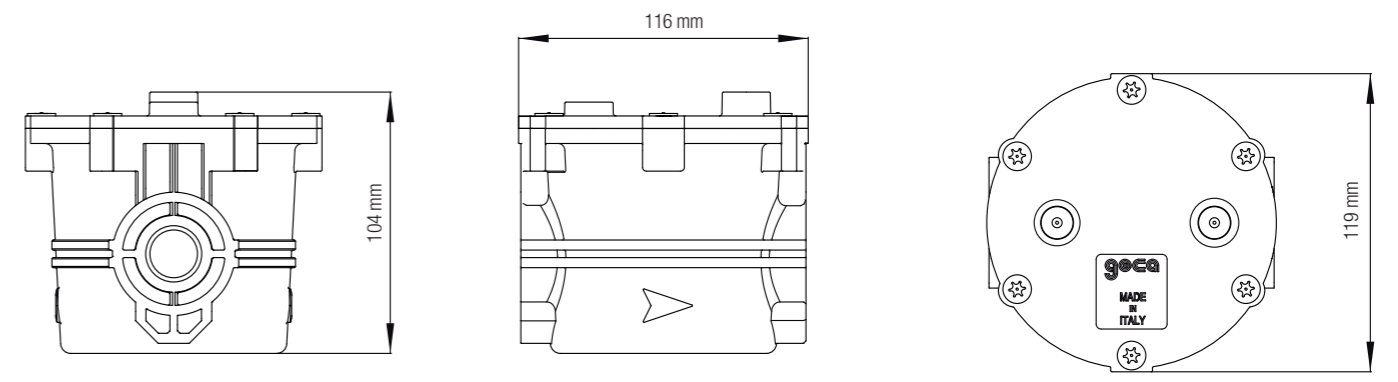
GAS FILTER 1/2", 3/4", 1" – Pmax 6 bar



- 1 Test point connection
- 2 Seal O ring
- 3 Filter cartridge
- 4 Body
- 5 Cover

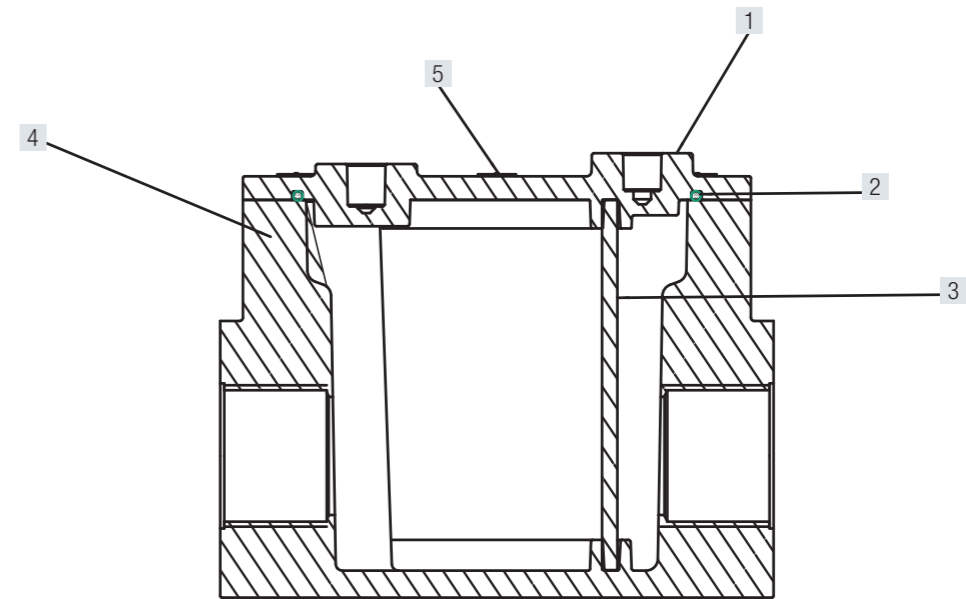
| Code | Description | Dimension | Pmax |
|------------|-----------------------------------|-----------|-------|
| GF015 | Gas filter | 1/2" | 6 bar |
| GF020 | Gas filter | 3/4" | 6 bar |
| GF025 | Gas filter | 1" | 6 bar |
| GFD25 | Gas filter | DN25 | 6 bar |
| GF015-TPIO | Gas filter with test point in/out | 1/2" | 6 bar |
| GF020-TPIO | Gas filter with test point in/out | 3/4" | 6 bar |
| GF025-TPIO | Gas filter with test point in/out | 1" | 6 bar |
| GFD25-TPIO | Gas filter with test point in/out | DN25 | 6 bar |
| GF015-SP | Gas filter with screw plugs | 1/2" | 6 bar |
| GF020-SP | Gas filter with screw plugs | 3/4" | 6 bar |
| GF025-SP | Gas filter with screw plugs | 1" | 6 bar |
| GFD25-SP | Gas filter with screw plugs | DN25 | 6 bar |

| TECHNICAL FEATURES | |
|-----------------------------------|-----------------------------------------------------------------------------|
| Operation maximum pressure | 6 bar / available version 10 bar |
| Working Temperature | - 20 °C – + 60 °C |
| Filtration | 50 Micron |
| Use | Non – aggressive gases – Family 1 – 2 – 3 and air |
| Cartridge element | Viledon cartridge |
| Inlet - Outlet Connection | Thread gas 1/2" – 3/4" 1" – ISO 228 DN25 - Sliding Aluminium flange PN10 |
| Complete Body | Die – Cast Aluminium Gd – AISI12Cu - EN AB 46100 |
| Seals | NBR |
| Approval | PED |
| Optional: | |
| - Test point – NPT 1/4" | |
| - Screw – NPT 1/4" | |
| - Peters plug | |
| - Manometer | |
| - DP clogging indicator | |



| Dimension | 1/2" | 3/4" | 1" |
|---------------------|-------|-------|-------|
| WEIGHT (kgs) | 0,806 | 0,795 | 0,786 |

GAS FILTER 1 ¼", 1 ½" and 2" – Pmax 6 bar



- 1 Test point connection
- 2 Seal O ring
- 3 Filter cartridge
- 4 Body
- 5 Cover

| Code | Description | Dimension | Pmax |
|-------|-------------|-----------|-------|
| GF032 | Gas filter | 1 ¼" | 6 bar |
| GF040 | Gas filter | 1 ½" | 6 bar |
| GF050 | Gas filter | 2" | 6 bar |
| GFD32 | Gas filter | DN32 | 6 bar |
| GFD40 | Gas filter | DN40 | 6 bar |
| GFD50 | Gas filter | DN50 | 6 bar |

| | | | |
|------------|-----------------------------------|------|-------|
| GF032-TPIO | Gas filter with test point in/out | 1 ¼" | 6 bar |
| GF040-TPIO | Gas filter with test point in/out | 1 ½" | 6 bar |
| GF050-TPIO | Gas filter with test point in/out | 2" | 6 bar |
| GFD32-TPIO | Gas filter with test point in/out | DN32 | 6 bar |
| GFD40-TPIO | Gas filter with test point in/out | DN40 | 6 bar |
| GFD50-TPIO | Gas filter with test point in/out | DN50 | 6 bar |

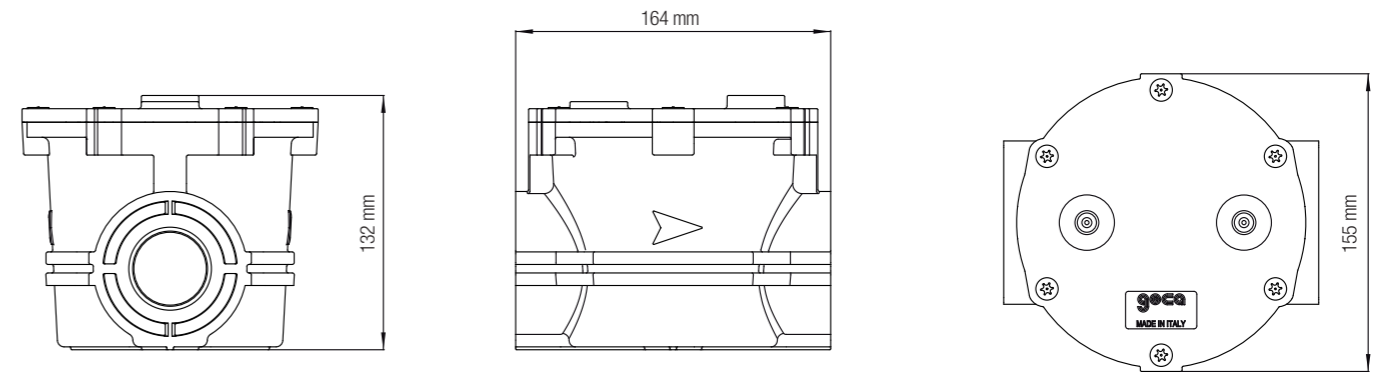
| | | | |
|----------|-----------------------------|------|-------|
| GF032-SP | Gas filter with screw plugs | 1 ¼" | 6 bar |
| GF040-SP | Gas filter with screw plugs | 1 ½" | 6 bar |
| GF050-SP | Gas filter with screw plugs | 2" | 6 bar |
| GFD32-SP | Gas filter with screw plugs | DN32 | 6 bar |
| GFD40-SP | Gas filter with screw plugs | DN40 | 6 bar |
| GFD50-SP | Gas filter with screw plugs | DN50 | 6 bar |

TECHNICAL FEATURES

| | |
|-----------------------------------|-------------------------------------------------------------------------------------|
| Operation maximum pressure | 6 bar / available version 10 bar |
| Working Temperature | - 20 °C – + 60 °C |
| Filtration | 50 Micron |
| Use | Non – aggressive gases – Family 1 – 2 – 3 and air |
| Cartridge element | Viledon cartridge |
| Inlet - Outlet Connection | Thread gas 1 ¼" 1 ½" 2" – ISO 228 DN32 DN40 DN50 - Sliding Aluminium flange PN10 |
| Complete Body | Die – Cast Aluminium Gd – AISI12Cu - EN AB 46100 |
| Seals | NBR |
| Approval | PED |

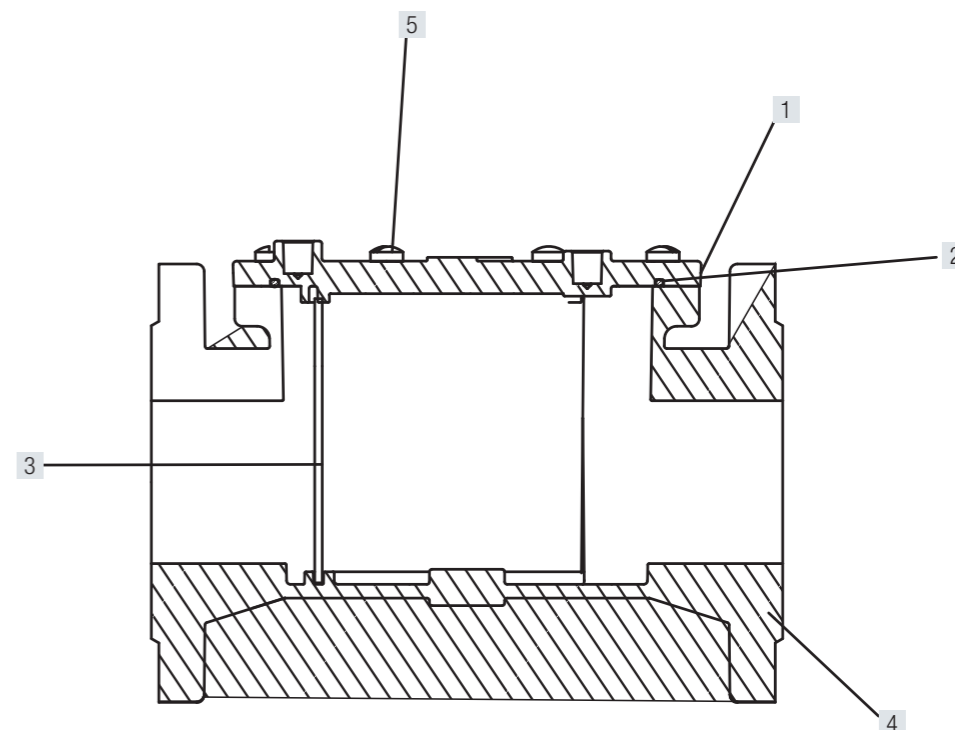
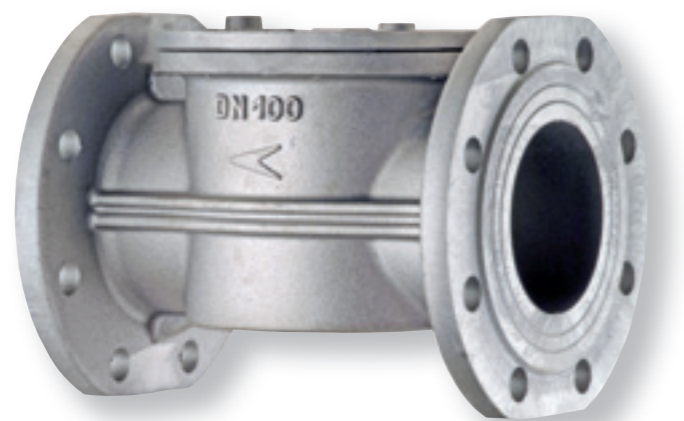
Optional:

- Test point – NPT ¼"
- Screw – NPT ¼"
- Peters plug
- Manometer
- DP clogging indicator



| Dimension | 1 ¼" | 1 ½" | 2" |
|---------------------|------|------|------|
| WEIGHT (kgs) | 1,63 | 1,55 | 1,45 |

GAS FILTER DN65 – DN80 – DN100 – Pmax 6 bar

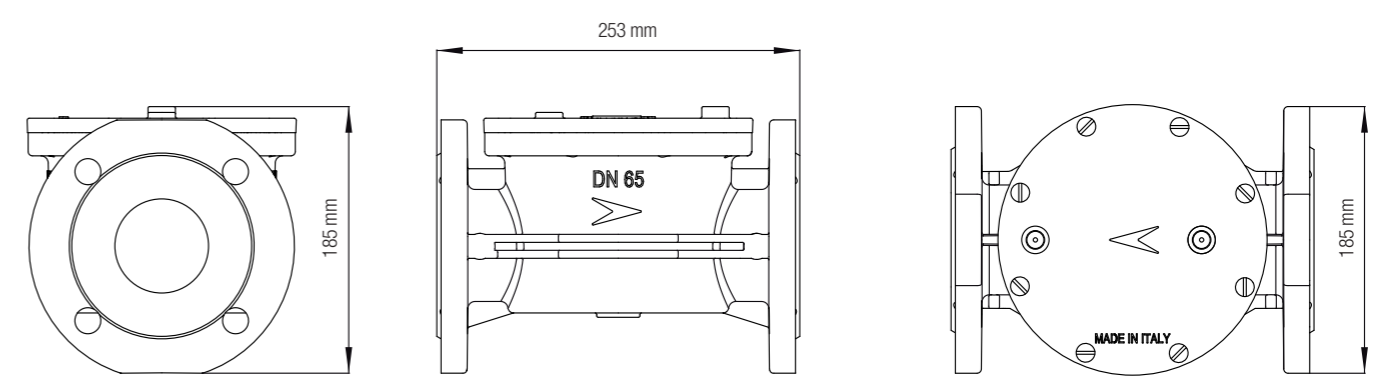


- 1 Test point connection
- 2 Seal O ring
- 3 Filter cartridge
- 4 Body
- 5 Cover

| Code | Description | Dimension | Pmax |
|------------------|-----------------------------------|-----------|-------|
| GFD65 | Gas filter | DN65 | 6 bar |
| GFD80 | Gas filter | DN80 | 6 bar |
| GFD100 | Gas filter | DN100 | 6 bar |
| Optional: | | | |
| GFD65-TPIO | Gas filter with test point in/out | DN65 | 6 bar |
| GFD80-TPIO | Gas filter with test point in/out | DN80 | 6 bar |
| GFD100-TPIO | Gas filter with test point in/out | DN100 | 6 bar |
| GFD65-SP | Gas filter with screw plugs | DN65 | 6 bar |
| GFD80-SP | Gas filter with screw plugs | DN80 | 6 bar |
| GFD100-SP | Gas filter with screw plugs | DN100 | 6 bar |

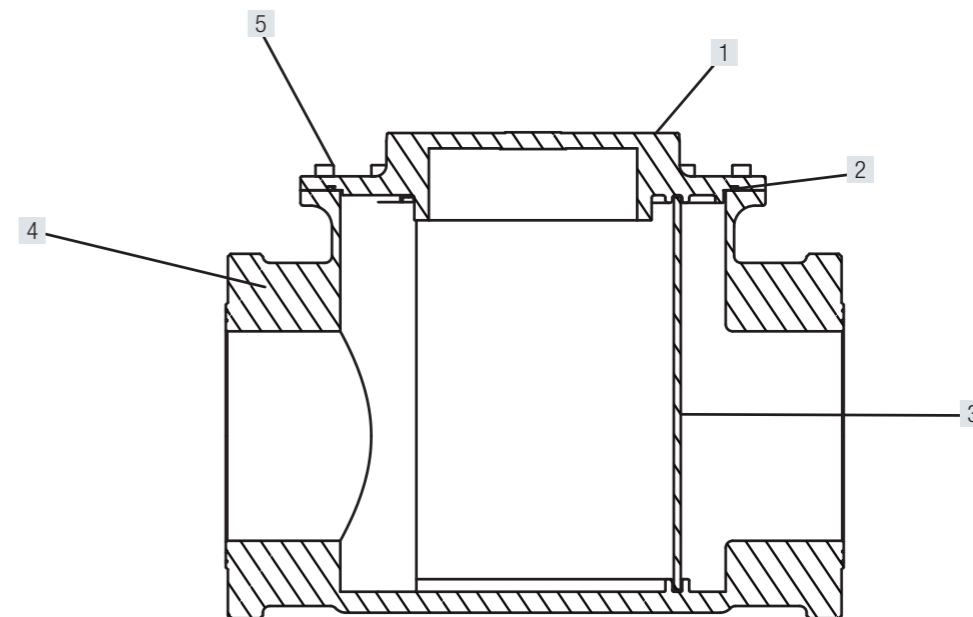
| TECHNICAL FEATURES | |
|-----------------------------------|---------------------------------------------------|
| Operation maximum pressure | 6 bar / available version 10 bar |
| Working Temperature | - 20 °C – + 60 °C |
| Filtration | 50 Micron |
| Use | Non – aggressive gases – Family 1 – 2 – 3 and air |
| Cartridge element | Viledon cartridge |
| Connection | Flanged PN16 – DN65 – DN80 – DN100 |
| Complete Body | Aluminium EN AC 43100 |
| Seals | NBR |
| Approval | PED |

- Optional:**
- Test point – NPT ¼"
 - Screw – NPT ¼"
 - Peters plug
 - Manometer
 - DP clogging indicator



| Dimension | DN65 | DN80 | DN100 |
|---------------------|------|------|-------|
| WEIGHT (kgs) | 8,30 | 8,30 | 9,50 |

GAS FILTER DN125 – DN150 – Pmax 6 bar



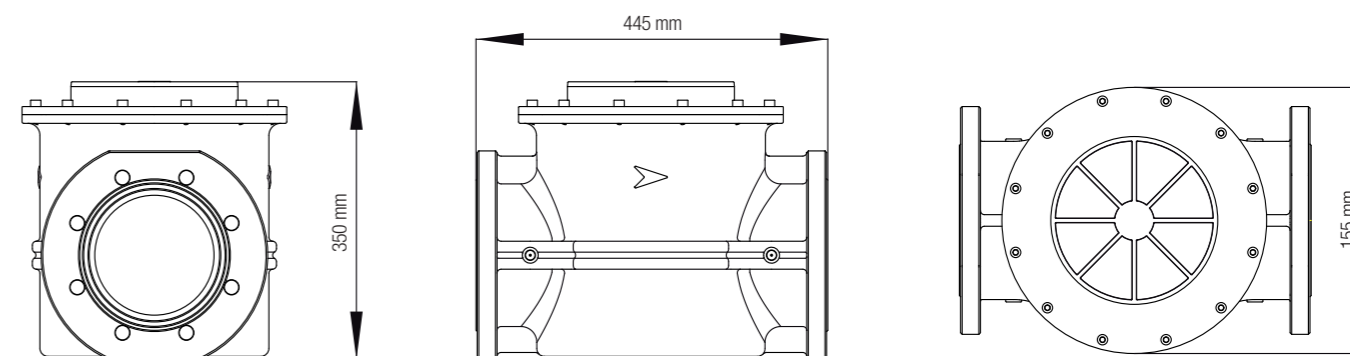
- 1 Test point connection
- 2 Seal O ring
- 3 Filter cartridge
- 4 Body
- 5 Cover

| Code | Description | Dimension | Pmax |
|-------------|-----------------------------------|-----------|-------|
| GFD125 | Gas filter | DN125 | 6 bar |
| GFD150 | Gas filter | DN150 | 6 bar |
| GFD125-TPIO | Gas filter with test point in/out | DN125 | 6 bar |
| GFD150-TPIO | Gas filter with test point in/out | DN150 | 6 bar |
| GFD125-SP | Gas filter with screw plugs | DN125 | 6 bar |
| GFD150-SP | Gas filter with screw plugs | DN150 | 6 bar |

| TECHNICAL FEATURES | |
|-----------------------------------|---------------------------------------------------|
| Operation maximum pressure | 6 bar |
| Working Temperature | - 20 °C – + 60 °C |
| Filtration | 50 Micron |
| Use | Non – aggressive gases – Family 1 – 2 – 3 and air |
| Cartridge element | Viledon cartridge |
| Connection | Flanged PN16 – DN125 – DN150 |
| Complete Body | Aluminium EN AC 43100 |
| Seals | NBR |
| Approval | PED |

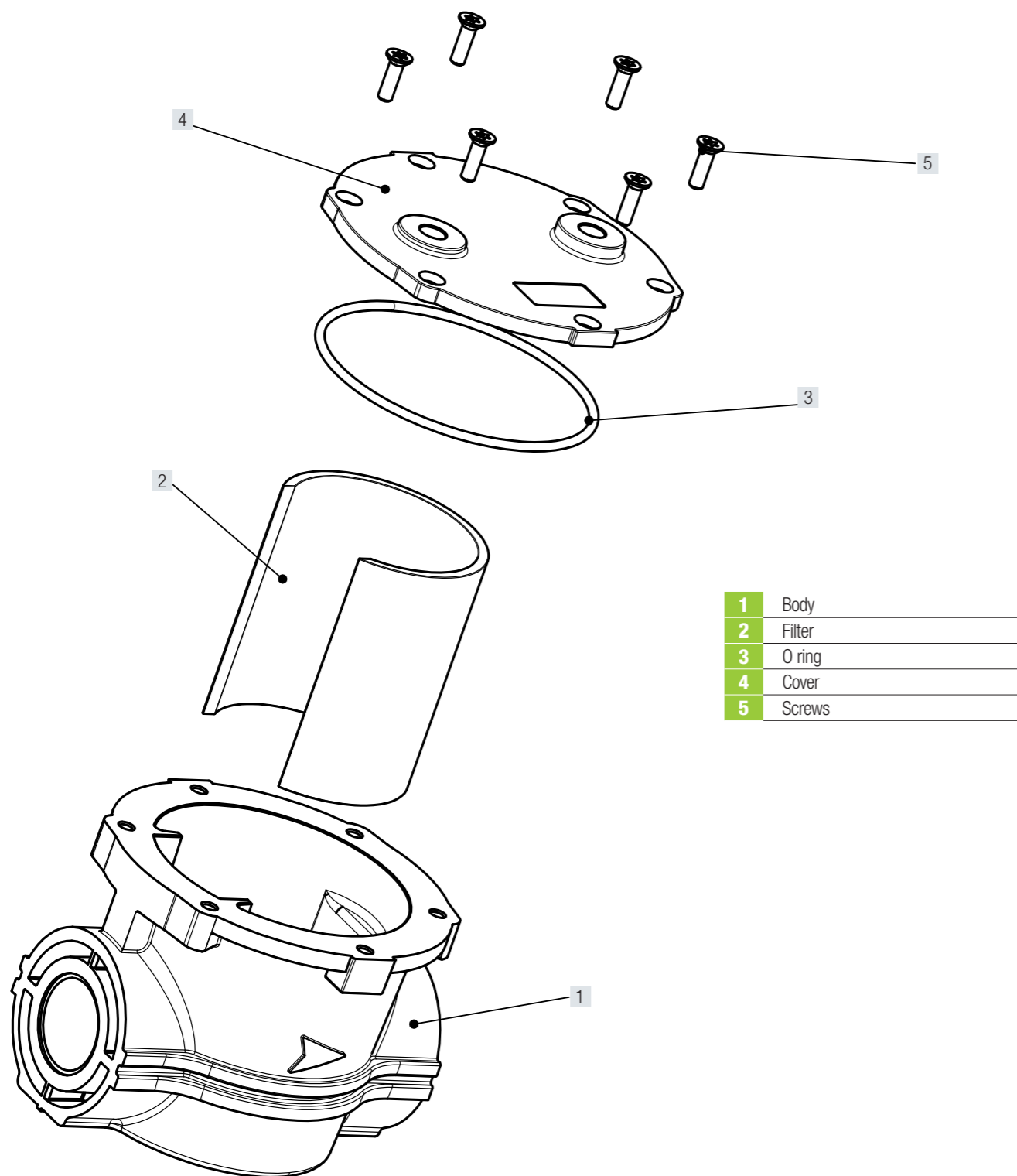
Optional:

- Test point – NPT ¼"
- Screw – NPT ¼"
- Peters plug
- Manometer
- DP clogging indicator



| Dimension | DN125 | DN150 |
|--------------|-------|-------|
| WEIGHT (kgs) | 23 | 21 |

ASSEMBLY OVERVIEW



- 1 Body
- 2 Filter
- 3 O ring
- 4 Cover
- 5 Screws

CODE DESCRIPTION

GFD050-TPIO-10B

1 2 3 4 5

① GF=GAS FILTER

② CONNECTION:
=Threaded
D= Flanged

④ OPTIONAL:
SP= Screw Plugs
TPIO=Test Point IN/OUT

⑤ BAR:
= 6bar
-10B= 10bar

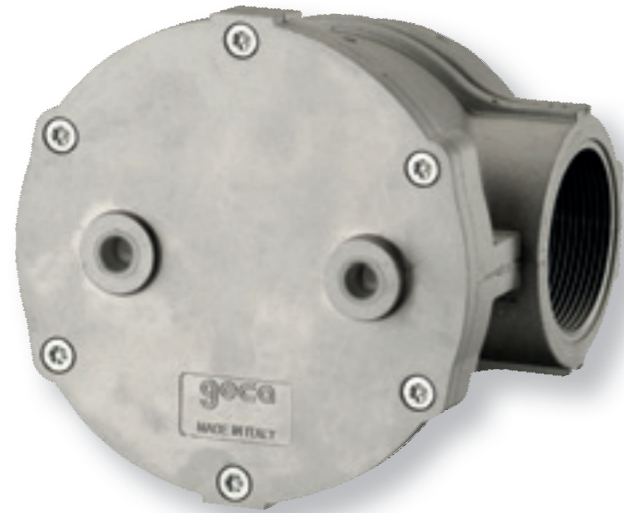
③ DIMENSIONS:

015SC =1/2" (Small Capacity)
020SC =3/4" (Small Capacity)
025SC = 1" (Small Capacity)
015 = 1/2"
020 = 3/4"
025= 1"
25= DN25
032= 1 1/4"
32= DN32
040= 1 1/2"
40= DN40
050= 2"
50= DN50
65= DN65
80 = DN80
100= DN100
125= DN125
150= DN150

PACKING DIMENSION

| Code | Packaging Dimension (LxWxH) cm | Weight dimension (Kg) | Packaging |
|-----------------------------|--------------------------------|-----------------------|-----------|
| GF015SC – GF020SC – GF025SC | 29,5x41x14 | 11,6 | 46 units |
| GF015 – GF020 – GF025 | 65x26x17 | 9,4 | 10 units |
| GF032 – GF040 – GF050 | 17x16x16,5 | 2 | 1 unit |
| GFD32 – GFD40 – GFD50 | 23,5x28,5x25 | 4,4 | 1 unit |
| GFD65 – GFD80 | 23,5x28,5x25 | 5,4 | 1 unit |
| GFD100 | 23,5x28,5x25 | 6,2 | 1 unit |
| GFD125 | 46x36x55 | 21,5 | 1 unit |
| GFD150 | 46x36x55 | 23,5 | 1 unit |

GAS FILTER Standar version



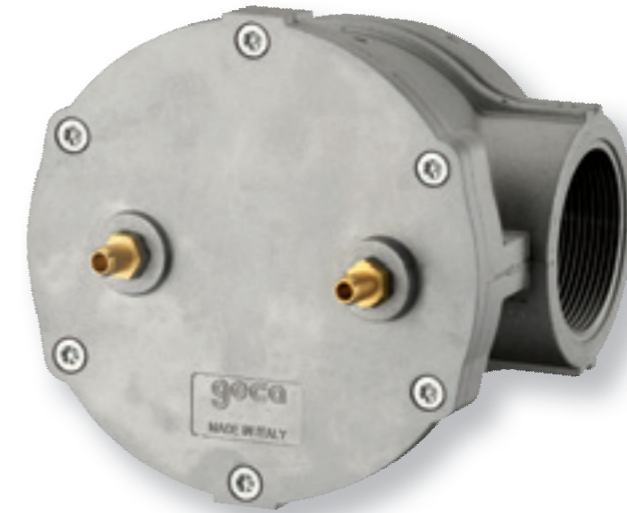
| Code | Description | Dimension | Pmax |
|--------------|-------------|-----------|-------|
| GF015 | Gas filter | ½" | 6 bar |
| GF020 | Gas filter | ¾" | 6 bar |
| GF025 | Gas filter | 1" | 6 bar |
| GFD25 | Gas filter | DN25 | 6 bar |

| Code | Description | Dimension | Pmax |
|--------------|-------------|-----------|-------|
| GF032 | Gas filter | 1 ¼" | 6 bar |
| GF040 | Gas filter | 1 ½" | 6 bar |
| GF050 | Gas filter | 2" | 6 bar |
| GFD32 | Gas filter | DN32 | 6 bar |
| GFD40 | Gas filter | DN40 | 6 bar |
| GFD50 | Gas filter | DN50 | 6 bar |

| Code | Description | Dimension | Pmax |
|---------------|-------------|-----------|-------|
| GFD65 | Gas filter | DN65 | 6 bar |
| GFD80 | Gas filter | DN80 | 6 bar |
| GFD100 | Gas filter | DN100 | 6 bar |

| Code | Description | Dimension | Pmax |
|---------------|-------------|-----------|-------|
| GFD125 | Gas filter | DN125 | 6 bar |
| GFD150 | Gas filter | DN150 | 6 bar |

GAS FILTER Test Point Inlet / Outlet version - TPIO



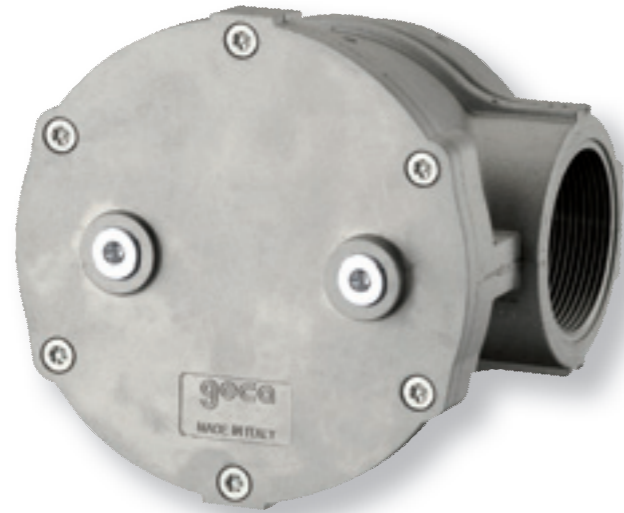
| Code | Description | Dimension | Pmax |
|-------------------|-----------------------------------|-----------|-------|
| GF015-TPIO | Gas filter with test point in/out | ½" | 6 bar |
| GF020-TPIO | Gas filter with test point in/out | ¾" | 6 bar |
| GF025-TPIO | Gas filter with test point in/out | 1" | 6 bar |
| GFD25-TPIO | Gas filter with test point in/out | DN25 | 6 bar |

| Code | Description | Dimension | Pmax |
|-------------------|-----------------------------------|-----------|-------|
| GF032-TPIO | Gas filter with test point in/out | 1 ¼" | 6 bar |
| GF040-TPIO | Gas filter with test point in/out | 1 ½" | 6 bar |
| GF050-TPIO | Gas filter with test point in/out | 2" | 6 bar |
| GFD32-TPIO | Gas filter with test point in/out | DN32 | 6 bar |
| GFD40-TPIO | Gas filter with test point in/out | DN40 | 6 bar |
| GFD50-TPIO | Gas filter with test point in/out | DN50 | 6 bar |

| Code | Description | Dimension | Pmax |
|--------------------|-----------------------------------|-----------|-------|
| GFD65-TPIO | Gas filter with test point in/out | DN65 | 6 bar |
| GFD80-TPIO | Gas filter with test point in/out | DN80 | 6 bar |
| GFD100-TPIO | Gas filter with test point in/out | DN100 | 6 bar |

| Code | Description | Dimension | Pmax |
|--------------------|-----------------------------------|-----------|-------|
| GFD125-TPIO | Gas filter with test point in/out | DN125 | 6 bar |
| GFD150-TPIO | Gas filter with test point in/out | DN150 | 6 bar |

GAS FILTER Screw plugs version - SP



| Code | Description | Dimension | Pmax |
|-----------------|-----------------------------|-----------|-------|
| GF015-SP | Gas filter with screw plugs | ½" | 6 bar |
| GF020-SP | Gas filter with screw plugs | ¾" | 6 bar |
| GF025-SP | Gas filter with screw plugs | 1" | 6 bar |
| GFD25-SP | Gas filter with screw plugs | DN25 | 6 bar |

| Code | Description | Dimension | Pmax |
|-----------------|-----------------------------|-----------|-------|
| GF032-SP | Gas filter with screw plugs | 1 ¼" | 6 bar |
| GF040-SP | Gas filter with screw plugs | 1 ½" | 6 bar |
| GF050-SP | Gas filter with screw plugs | 2" | 6 bar |
| GFD32-SP | Gas filter with screw plugs | DN32 | 6 bar |
| GFD40-SP | Gas filter with screw plugs | DN40 | 6 bar |
| GFD50-SP | Gas filter with screw plugs | DN50 | 6 bar |

| Code | Description | Dimension | Pmax |
|------------------|-----------------------------|-----------|-------|
| GFD65-SP | Gas filter with screw plugs | DN65 | 6 bar |
| GFD80-SP | Gas filter with screw plugs | DN80 | 6 bar |
| GFD100-SP | Gas filter with screw plugs | DN100 | 6 bar |

| Code | Description | Dimension | Pmax |
|------------------|-----------------------------|-----------|-------|
| GFD125-SP | Gas filter with screw plugs | DN125 | 6 bar |
| GFD150-SP | Gas filter with screw plugs | DN150 | 6 bar |

GAS FILTER Peterson plugs version - PP



| Code | Description | Dimension | Pmax |
|-----------------|-------------------------------|-----------|-------|
| GF015-PP | Gas filter with Peterson Plug | ½" | 6 bar |
| GF020-PP | Gas filter with Peterson Plug | ¾" | 6 bar |
| GF025-PP | Gas filter with Peterson Plug | 1" | 6 bar |
| GFD25-PP | Gas filter with Peterson Plug | DN25 | 6 bar |

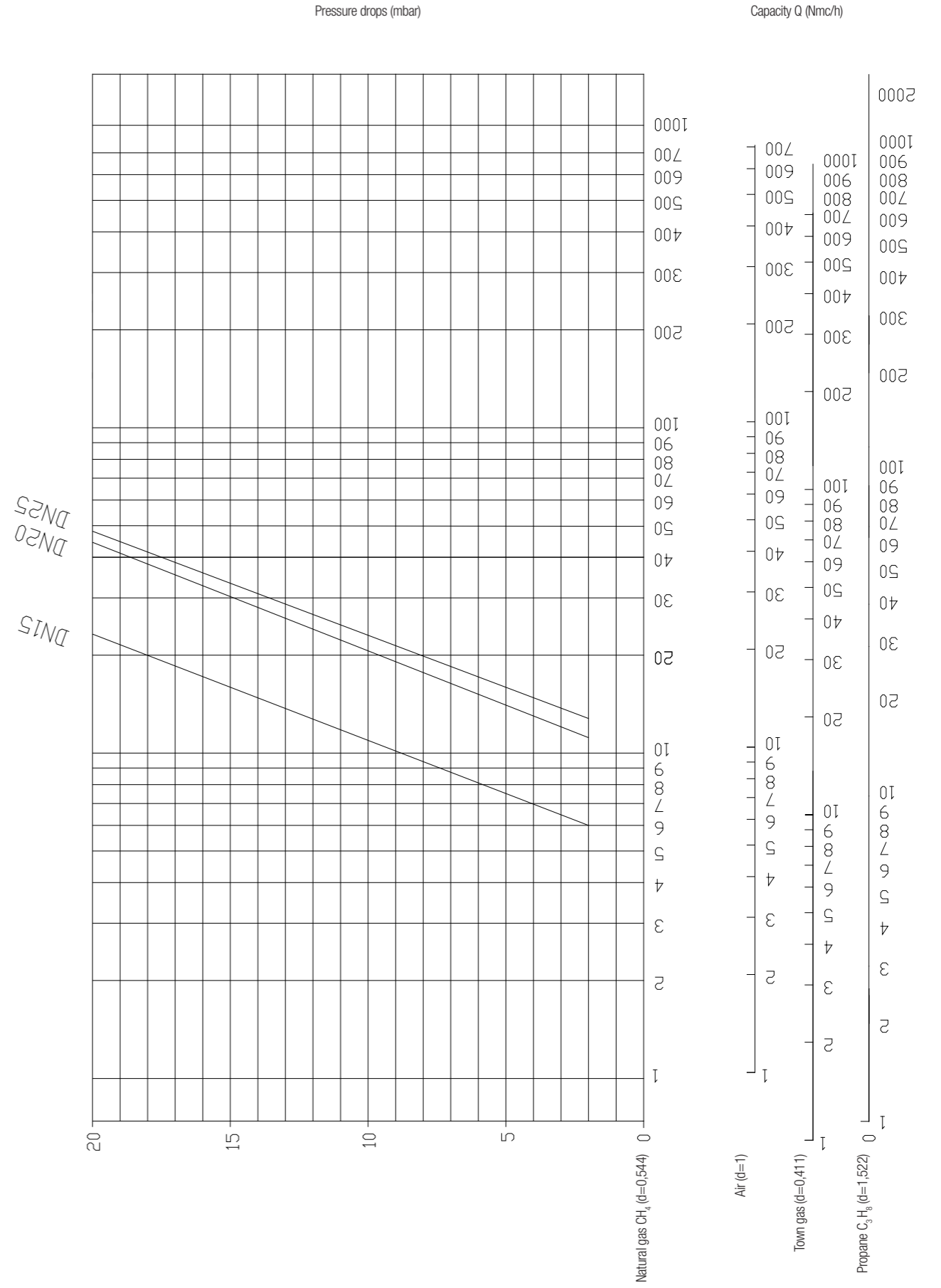
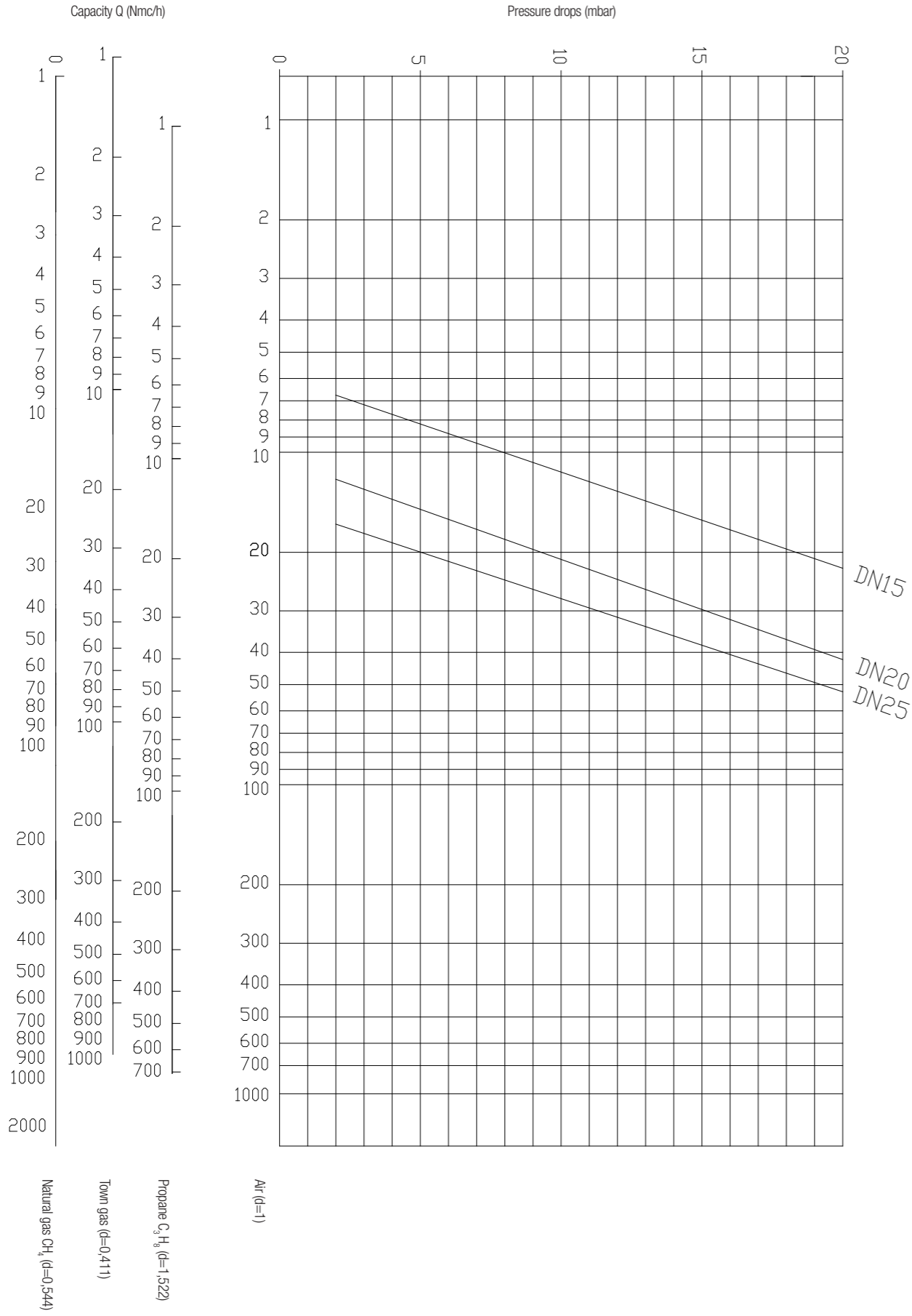
| Code | Description | Dimension | Pmax |
|-----------------|-------------------------------|-----------|-------|
| GF032-PP | Gas filter with Peterson Plug | 1 ¼" | 6 bar |
| GF040-PP | Gas filter with Peterson Plug | 1 ½" | 6 bar |
| GF050-PP | Gas filter with Peterson Plug | 2" | 6 bar |
| GFD32-PP | Gas filter with Peterson Plug | DN32 | 6 bar |
| GFD40-PP | Gas filter with Peterson Plug | DN40 | 6 bar |
| GFD50-PP | Gas filter with Peterson Plug | DN50 | 6 bar |

| Code | Description | Dimension | Pmax |
|------------------|-------------------------------|-----------|-------|
| GFD65-PP | Gas filter with Peterson Plug | DN65 | 6 bar |
| GFD80-PP | Gas filter with Peterson Plug | DN80 | 6 bar |
| GFD100-PP | Gas filter with Peterson Plug | DN100 | 6 bar |

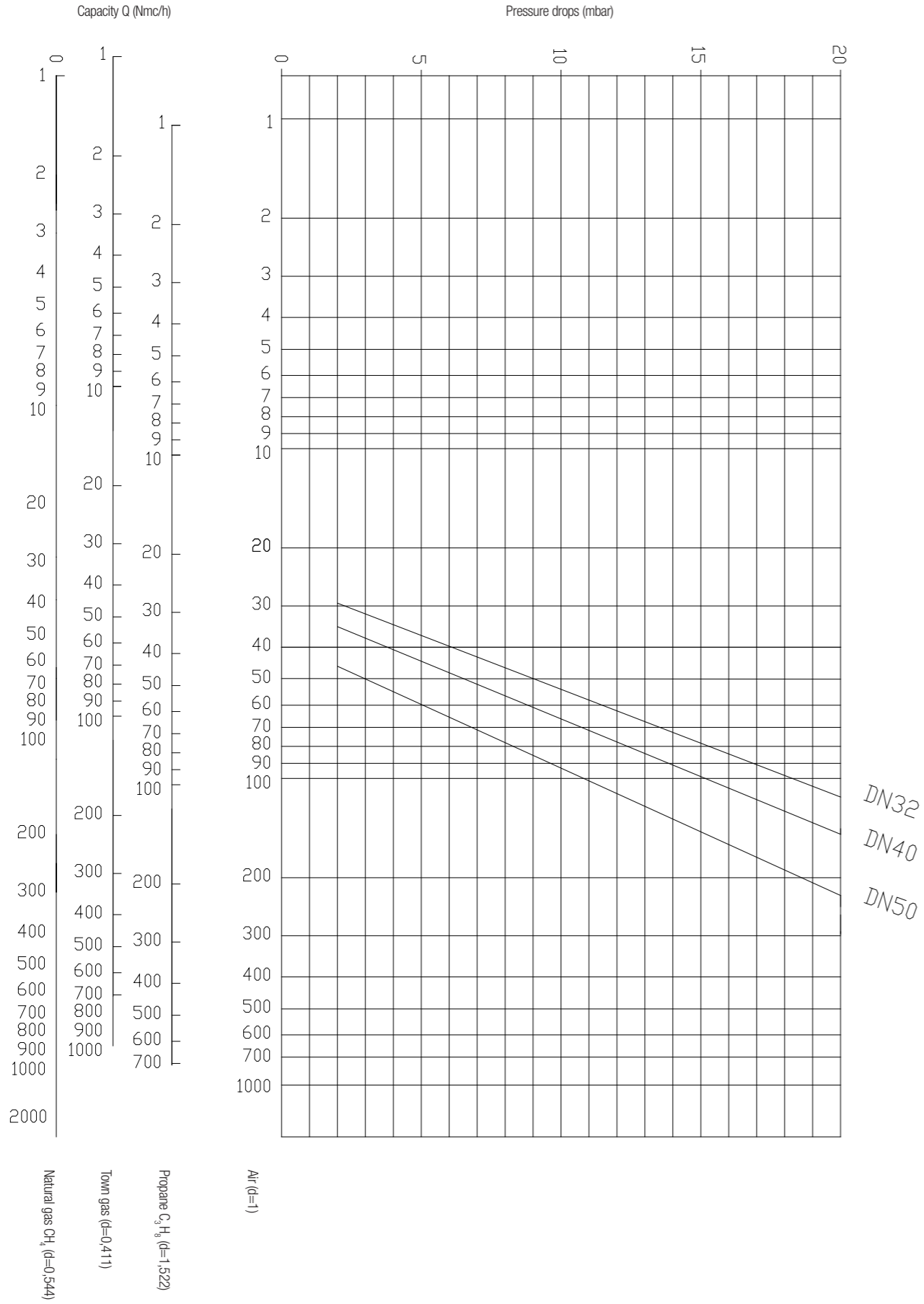
| Code | Description | Dimension | Pmax |
|------------------|-------------------------------|-----------|-------|
| GFD125-PP | Gas filter with Peterson Plug | DN125 | 6 bar |
| GFD150-PP | Gas filter with Peterson Plug | DN150 | 6 bar |

GAS FILTER SC 1/2", 3/4", 1"

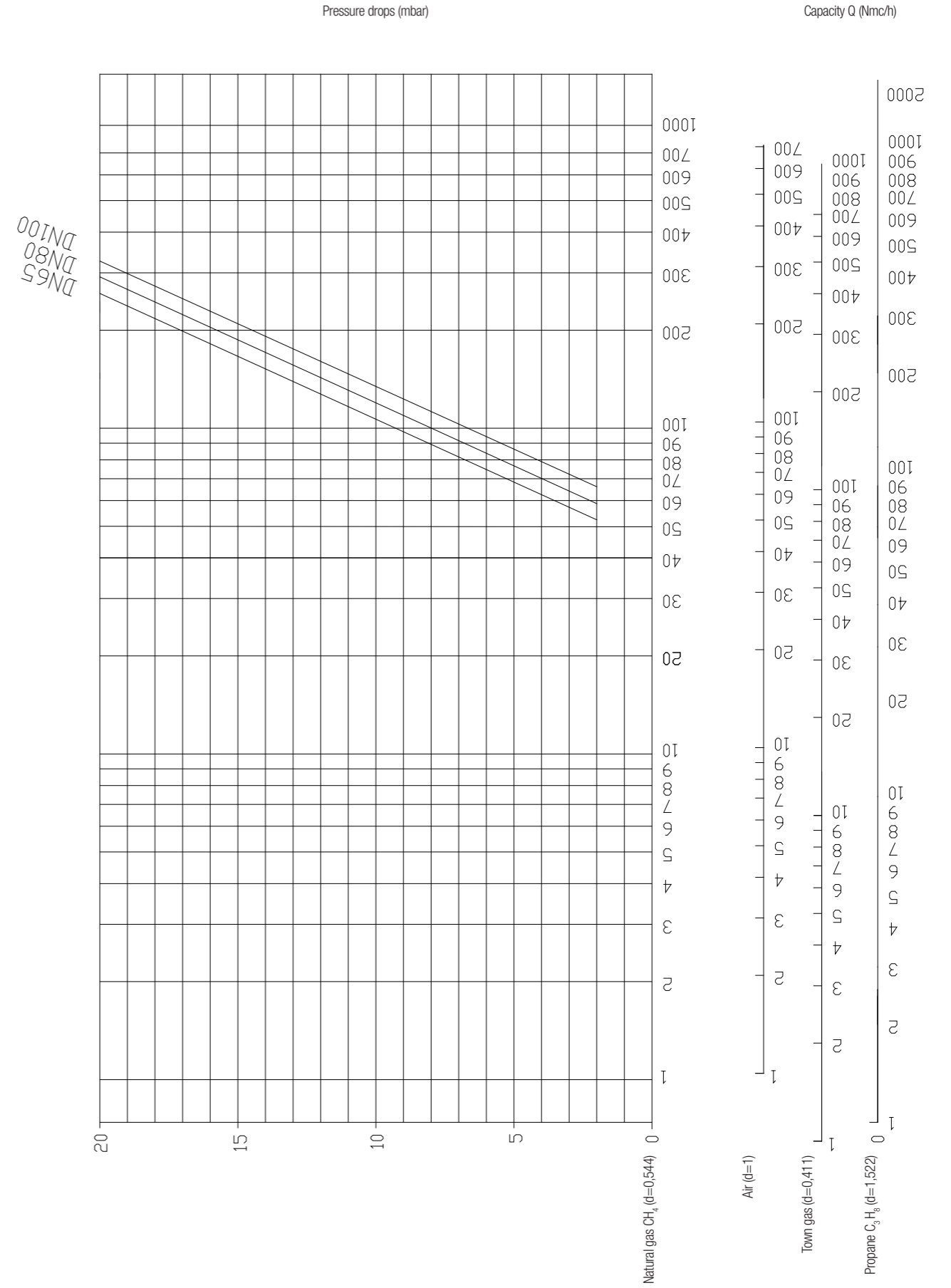
GAS FILTER 1/2", 3/4", 1"



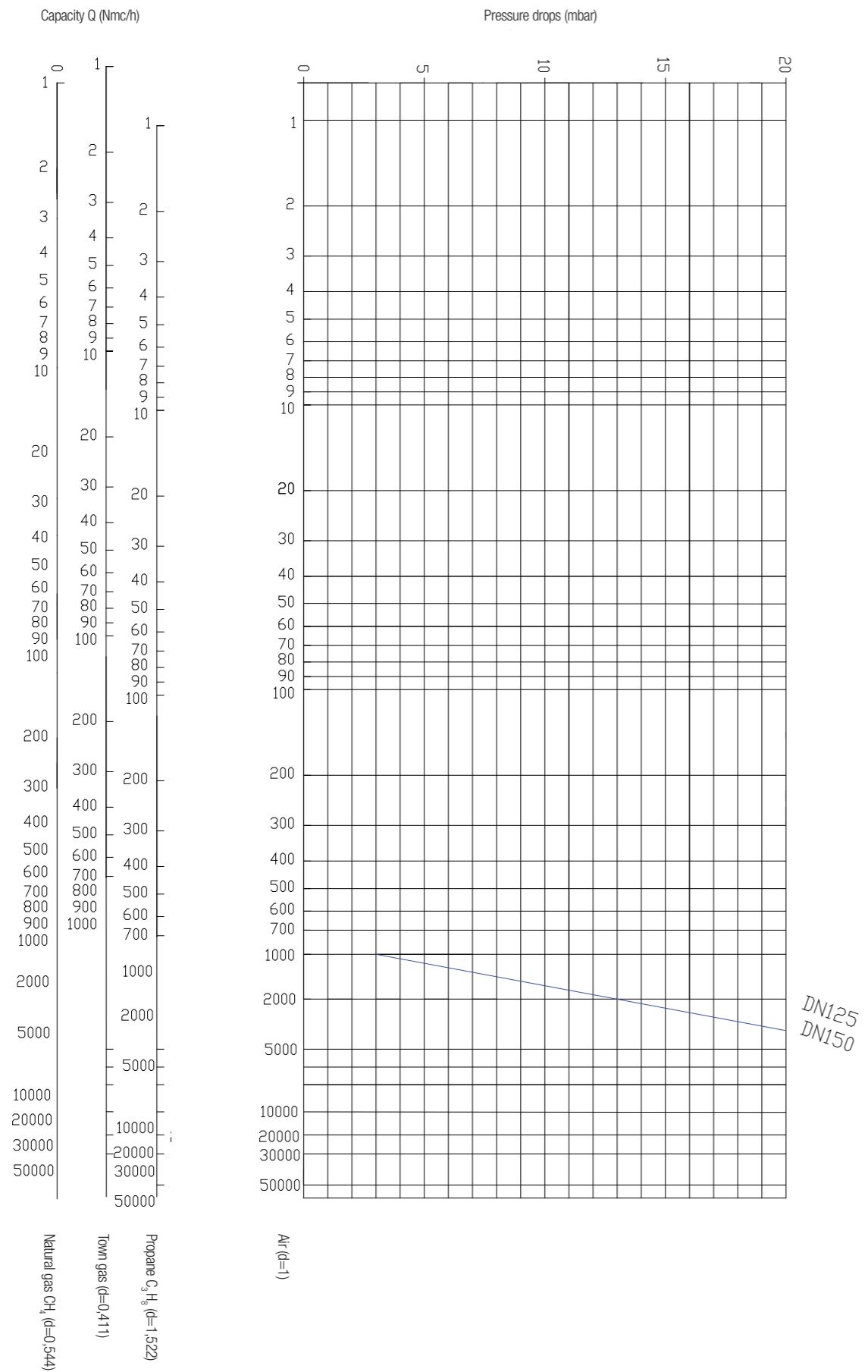
GAS FILTER 1 ¼", 1 ½", 2"



GAS FILTER DN65, DN80, DN100



GAS FILTER DN125 -DN150



DP CLOGGING INDICATOR



DP CLOGGING INDICATOR

| Code | Description | Connection | Range |
|-----------------|-----------------------|------------|---------------|
| DPI-150 | Aluminium body - PN20 | ¼" | 0 – 150 mbar |
| DPI-300 | Aluminium body - PN20 | ¼" | 0 – 300 mbar |
| DPI-600 | Aluminium body – PN20 | ¼" | 0 – 600 mbar |
| DPI-1000 | Aluminium body – PN20 | ¼" | 0 – 1000 mbar |

DP CLOGGING INDICATOR with reed switch.

| Code | Description | Connection | Range |
|----------------------|-----------------------|------------|---------------|
| DPI-150 - RS | Aluminium body - PN20 | ¼" | 0 – 150 mbar |
| DPI-300 - RS | Aluminium body - PN20 | ¼" | 0 – 300 mbar |
| DPI-600 - RS | Aluminium body – PN20 | ¼" | 0 – 600 mbar |
| DPI-1000 - RS | Aluminium body – PN20 | ¼" | 0 – 1000 mbar |

FILTER CARTRIDGE



Our filter cartridge is in Viledon with Metallic grid and textile filter element

FILTER CARTRIDGE

| Code | Description | Model |
|-------------|------------------------|------------------------------------|
| FC-1 | Filter cartridge 50 µm | GF015SC - GF020SC - GF025SC |
| FC-2 | Filter cartridge 50µm | GF015 - GF020 - GF025 –GFD25 |
| FC-3 | Filter cartridge 50 µm | GF032 - GF040 - GF050 –GFD version |
| FC-4 | Filter cartridge 50 µm | GFD65 – GFD80 |
| FC-5 | Filter cartridge 50 µm | GFD100 |
| FC-6 | Filter cartridge 50 µm | GFD125 – GFD150 |