

**OIL FILTERS - LINEA FAG**  
TECHNICAL BOOK







Oltre 70 anni di autentica produzione italiana.  
*Italian production for more than 70 years.*

**MADE IN ITALY**



**TANTE REALTÀ, UN'UNICA VISIONE.**  
***SO MANY REALITIES, ONE VISION ONLY.***

**FAG**

**geca**

**Tecno  
control**

**CPF**  
INDUSTRIALE

**FILTRI GASOLIO con vaschetta alluminio bassa capacità**  
**DIESEL FILTERS with aluminium bowl small capacity**



Cod./Cod.	Descrizione/Description	Dim.	P.Max
<b>OF008AL-SC</b>	20103/AL Filtro Cartuccia inox 100µ 20103/AL Filter Stainless steel cartridge 100µ	1/4"	2bar
<b>OF010AL-SC</b>	20101/AL Filtro Cartuccia inox 100µ 20101/AL Filter Stainless steel cartridge 100µ	3/8"	2bar
<b>OF010AL-SC-60</b>	20101AL6 Filtro Cartuccia inox 60µ 20101AL6 Filter stainless steel cartridge 60µ	3/8"	2bar
<b>OF008AL-SC-44</b>	20103AL4 Filtro Cartuccia inox 44µ 20103AL4 Filter Stainless steel cartridge 44µ	1/4"	2bar
<b>OF010AL-SC-44</b>	20101AL4 Filtro Cartuccia inox 44µ 20101AL4 Filter Stainless steel cartridge 44µ	3/8"	2bar
<b>OF008AL-SC-15</b>	20103CAL Filtro Cartuccia carta 15µ 20103CAL Filter Paper cartridge 15µ	1/4"	2bar
<b>OF010AL-SC-15</b>	20101CAL Filtro Cartuccia carta 15µ 20101CAL Filter Paper cartridge 15µ	3/8"	2bar
<b>OF008AL-E</b>	20153/AL Filtro Cartuccia plastica 100µ 20153/AL Filter Plastic cartridge 100µ	1/4"	2bar
<b>OF010AL-E</b>	20151/AL Filtro Cartuccia plastica 100µ 20151/AL Filter Plastic cartridge 100µ	3/8"	2bar

Caratteristiche tecniche/Technical features	
<b>Pmax - Inlet max</b>	2bar
<b>Filtri - Filters</b>	100µ - 60µ - 44µ - 15µ
<b>Attacchi Inlet-Outlet Connection</b>	1/4" - 3/8" ISO 228
<b>Temperatura di esercizio Working temperature</b>	-20° C - +60° C
<b>Utilizzo - Use</b>	Gasolio - Diesel

**Materiali/Materials:**

<b>Corpo - Body</b>	Die - Cast Aluminium Gd - AlSi12Cu - EN AB 46100
<b>Cartuccia Cartridge</b>	Alluminio, carta, plastica Stainless steel mesh, paper, plastic

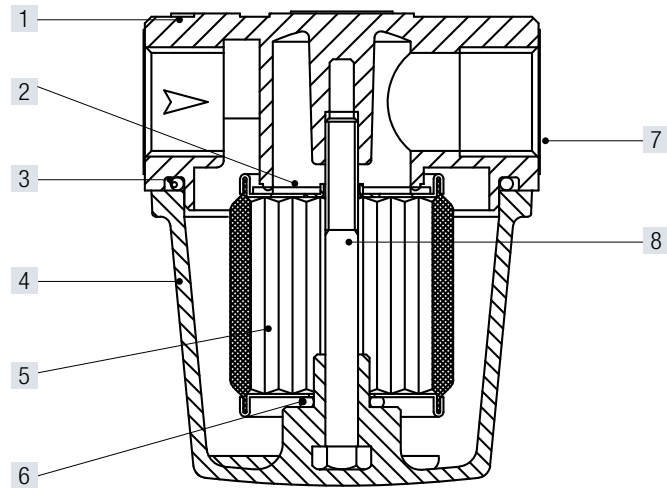
**RICAMBI / SPARE PARTS**

**Cartucce filtranti / Filter cartridge**

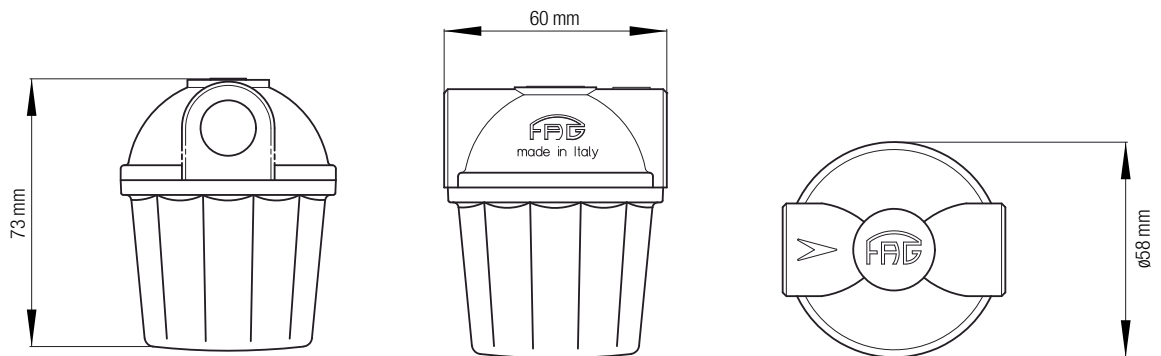
Cod./Cod.	Mod./Mod.	Descrizione/Description
<b>OFC100-1</b>	<b>20101/C1</b>	100µ - Inox grecata (Corrugated stainless steel) cm <sup>2</sup> 105
<b>OFC060-1</b>	<b>20101/C6</b>	60µ - Inox grecata (Corrugated stainless steel) cm <sup>2</sup> 105
<b>OFC044-1</b>	<b>20101/C4</b>	44µ - Inox grecata (Corrugated stainless steel) cm <sup>2</sup> 105
<b>OFC015-1</b>	<b>20101CC5</b>	15µ - Carta ondulata (Corrugated paper) cm <sup>2</sup> 235
<b>OFC100-2</b>	<b>20151/C1</b>	15µ - Plastica (Plastic) cm <sup>2</sup> 24

**Kit guarnizioni / Gasket kit**

Cod./Cod.	Mod./Mod.	Descrizione/Description
<b>OFG-1</b>	-	Kit guarnizioni per serie / Gasket kit for serie 20100
<b>OFG-2</b>	-	Kit guarnizioni per serie / Gasket kit for serie 20150



- |          |                       |
|----------|-----------------------|
| <b>1</b> | Coperchio - Cover     |
| <b>2</b> | Guarnizione - Gasket  |
| <b>3</b> | O-Ring - O-Ring       |
| <b>4</b> | Vaschetta - Bowl      |
| <b>5</b> | Cartuccia - Cartridge |
| <b>6</b> | O-Ring - O-Ring       |
| <b>7</b> | Etichetta - Label     |
| <b>8</b> | Vite - Screw          |



Dimensioni / Dimension	1/4"	3/8"
PESO / WEIGHT (g)	155	150

**FILTRI GASOLIO con vaschetta plastica trasparente bassa capacità**  
**DIESEL FILTERS with transparent plastic bowl small capacity**



Cod./Cod.	Descrizione/Description	Dim.	P.Max
<b>OF008PL-SC</b>	20103/PL Filtro Cartuccia inox 100µ 20103/PL Filter Stainless steel cartridge 100µ	1/4"	1bar
<b>OF010PL-SC</b>	20101/PL Filtro Cartuccia inox 100µ 20101/PL Filter Stainless steel cartridge 100µ	3/8"	1bar
<b>OF010PL-SC-60</b>	20101PL6 Filtro cartuccia inox 60µ 20101AL6 Filter stainless steel cartridge 60µ	3/8"	1bar
<b>OF008PL-SC-44</b>	20103PL4 Filtro Cartuccia inox 44µ 20103PL4 Filter Stainless steel cartridge 44µ	1/4"	1bar
<b>OF010PL-SC-44</b>	20101PL4 Filtro Cartuccia inox 44µ 20101PL4 Filter Stainless steel cartridge 44µ	3/8"	1bar
<b>OF008PL-SC-15</b>	20103CPL Filtro Cartuccia carta 15µ 20103CPL Filter Paper cartridge 15µ	1/4"	1bar
<b>OF010PL-SC-15</b>	20101CPL Filtro Cartuccia carta 15µ 20101CPL Filter Paper cartridge 15µ	3/8"	1bar
<b>OF008PL-E</b>	20153/PL Filtro Cartuccia plastica 100µ 20153/PL Filter Plastic cartridge 100µ	1/4"	1bar
<b>OF010PL-E</b>	20151/PL Filtro Cartuccia plastica 100µ 20151/PL Filter Plastic cartridge 100µ	3/8"	1bar

Caratteristiche tecniche/Technical features	
<b>Pmax - Inlet max</b>	1bar
<b>Filtri - Filters</b>	100µ - 60µ - 44µ - 15µ
<b>Attacchi Inlet-Outlet Connection</b>	1/4" - 3/8" ISO 228
<b>Temperatura di esercizio Working temperature</b>	-20° C - +60° C
<b>Utilizzo - Use</b>	Gasolio - Diesel

**Materiali/Materials:**

<b>Corpo - Body</b>	Die - Cast Aluminium Gd - AlSi12Cu - EN AB 46100
<b>Cartuccia Cartridge</b>	Alluminio, carta, plastica Stainless steel mesh, paper, plastic

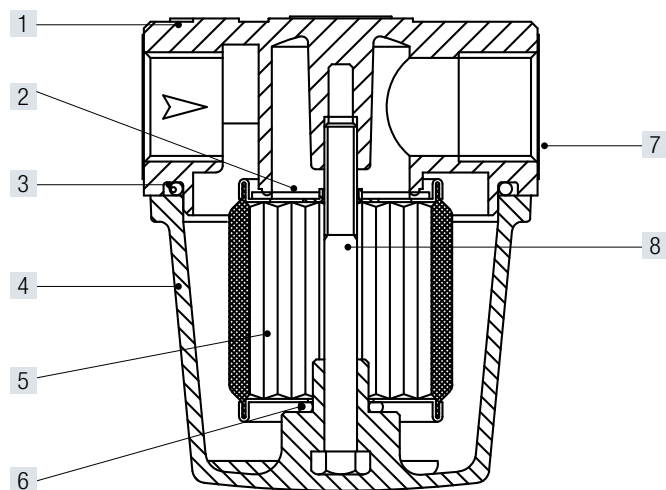
**RICAMBI / SPARE PARTS**

**Cartucce filtranti / Filter cartridge**

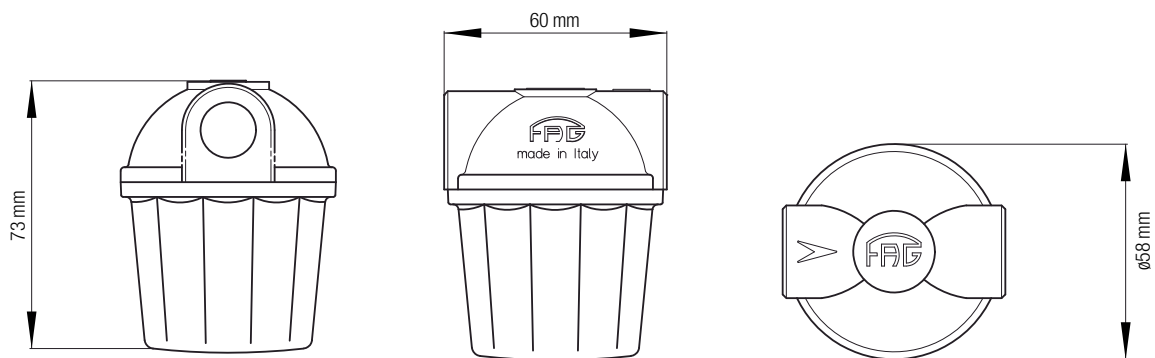
Cod./Cod.	Mod./Mod.	Descrizione/Description
<b>OFC100-1</b>	<b>20101/C1</b>	100µ - Inox grecata (Corrugated stainless steel) cm <sup>2</sup> 105
<b>OFC060-1</b>	<b>20101/C6</b>	60µ - Inox grecata (Corrugated stainless steel) cm <sup>2</sup> 105
<b>OFC044-1</b>	<b>20101/C4</b>	44µ - Inox grecata (Corrugated stainless steel) cm <sup>2</sup> 105
<b>OFC015-1</b>	<b>20101CC5</b>	15µ - Carta ondulata (Corrugated paper) cm <sup>2</sup> 235
<b>OFC100-2</b>	<b>20151/C1</b>	15µ - Plastica (Plastic) cm <sup>2</sup> 24

**Kit guarnizioni / Gasket kit**

Cod./Cod.	Mod./Mod.	Descrizione/Description
<b>OFG-1</b>	-	Kit guarnizioni per serie / Gasket kit for serie 20100
<b>OFG-2</b>	-	Kit guarnizioni per serie / Gasket kit for serie 20150



- |          |                       |
|----------|-----------------------|
| <b>1</b> | Coperchio - Cover     |
| <b>2</b> | Guarnizione - Gasket  |
| <b>3</b> | O-Ring - O-Ring       |
| <b>4</b> | Vaschetta - Bowl      |
| <b>5</b> | Cartuccia - Cartridge |
| <b>6</b> | O-Ring - O-Ring       |
| <b>7</b> | Etichetta - Label     |
| <b>8</b> | Vite - Screw          |



<b>Dimensioni / Dimension</b>	<b>1/4"</b>	<b>3/8"</b>
<b>PESO / WEIGHT (g)</b>	115	110

**FILTRI GASOLIO con vaschetta plastica opaca bassa capacità**  
**DIESEL FILTERS with opaque plastic bowl small capacity**



Cod./Cod.	Descrizione/Description	Dim.	P.Max
<b>OF008PE-SC</b>	20103/PE Filtro Cartuccia inox 100µ 20103/PE Filter Stainless steel cartridge 100µ	1/4"	1bar
<b>OF010PE-SC</b>	20101/PE Filtro Cartuccia inox 100µ 20101/PE Filter Stainless steel cartridge 100µ	3/8"	1bar
<b>OF008PE-SC-15</b>	20103CPE Filtro Cartuccia carta 15µ 20103CPE Filter Paper cartridge 15µ	1/4"	1bar
<b>OF010PE-SC-15</b>	20101CPE Filtro Cartuccia carta 15µ 20101CPE Filter Paper cartridge 15µ	3/8"	1bar
<b>OF008PE-E</b>	20153/PE Filtro Cartuccia plastica 100µ 20153/PE Filter Plastic cartridge 100µ	1/4"	1bar
<b>OF010PE-E</b>	20151/PE Filtro Cartuccia plastica 100µ 20151/PE Filter Plastic cartridge 100µ	3/8"	1bar

Caratteristiche tecniche/Technical features	
<b>Pmax - Inlet max</b>	1bar
<b>Filtri - Filters</b>	100µ - 15µ
<b>Attacchi Inlet-Outlet Connection</b>	1/4" - 3/8" ISO 228
<b>Temperatura di esercizio Working temperature</b>	-20° C - +60° C
<b>Utilizzo - Use</b>	Gasolio - Diesel

**Materiali/Materials:**

<b>Corpo - Body</b>	Die - Cast Aluminium Gd - AISI12Cu - EN AB 46100
<b>Cartuccia Cartridge</b>	Alluminio, carta, plastica Stainless steel mesh, paper, plastic

**RICAMBI / SPARE PARTS**

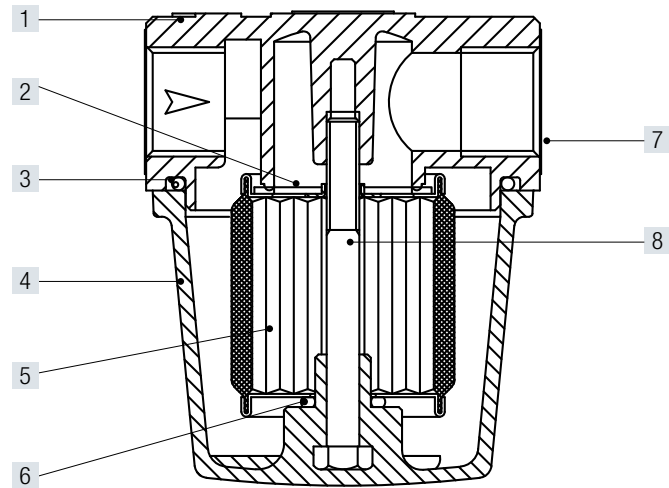
**Cartucce filtranti / Filter cartridge**

Cod./Cod.	Mod./Mod.	Descrizione/Description
<b>OFC100-1</b>	<b>20101/C1</b>	100µ - Inox grecata (Corrugated stainless steel) cm² 105
<b>OFC044-1</b>	<b>20101/C4</b>	44µ - Inox grecata (Corrugated stainless steel) cm² 105
<b>OFC015-1</b>	<b>20101CC5</b>	15µ - Carta ondulata (Corrugated paper) cm² 235
<b>OFC100-2</b>	<b>20151/C1</b>	15µ - Plastica (Plastic) cm² 24

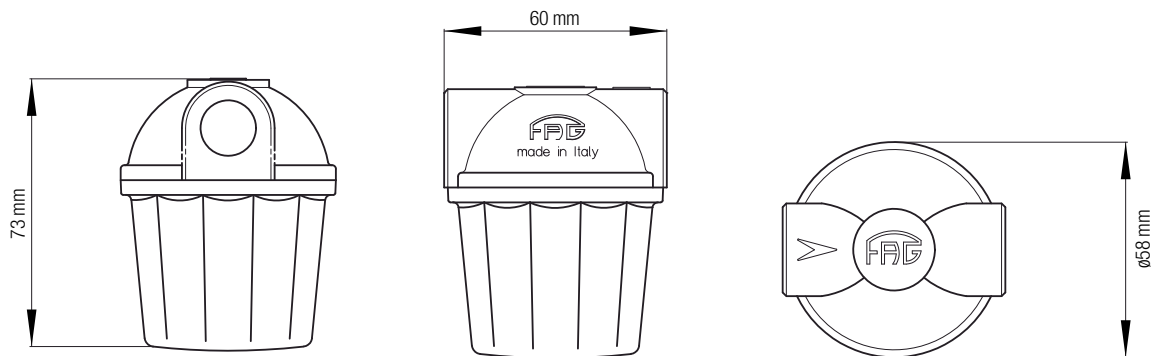
**Kit guarnizioni / Gasket kit**

Cod./Cod.	Mod./Mod.	Descrizione/Description
<b>OFG-1</b>	-	Kit guarnizioni per serie / Gasket kit for serie 20100
<b>OFG-2</b>	-	Kit guarnizioni per serie / Gasket kit for serie 20150





- |          |                       |
|----------|-----------------------|
| <b>1</b> | Coperchio - Cover     |
| <b>2</b> | Guarnizione - Gasket  |
| <b>3</b> | O-Ring - O-Ring       |
| <b>4</b> | Vaschetta - Bowl      |
| <b>5</b> | Cartuccia - Cartridge |
| <b>6</b> | O-Ring - O-Ring       |
| <b>7</b> | Etichetta - Label     |
| <b>8</b> | Vite - Screw          |



<b>Dimensioni / Dimension</b>	<b>1/4"</b>	<b>3/8"</b>
<b>PESO / WEIGHT (g)</b>	110	105

**FILTRI GASOLIO con vaschetta alluminio**  
**DIESEL FILTERS with aluminium bowl**



Cod./Cod.	Descrizione/Description	Dim.	P.Max
<b>OF008AL</b>	20204/AL Filtro Cartuccia inox 100µ 20204/AL Filter Stainless steel cartridge 100µ	1/4"	2bar
<b>OF010AL</b>	20201/AL Filtro Cartuccia inox 100µ 20201/AL Filter Stainless steel cartridge 100µ	3/8"	2bar
<b>OF015AL</b>	20202/AL Filtro Cartuccia inox 100µ 20202/AL Filter Stainless steel cartridge 100µ	1/2"	2bar
<b>OF010AL-44</b>	20201AL4 Filtro Cartuccia inox 44µ 20201AL4 Filter Stainless steel cartridge 44µ	3/8"	2bar
<b>OF015AL-44</b>	20202AL4 Filtro Cartuccia inox 44µ 20202AL4 Filter Inox cartridge 44µ	1/2"	2bar
<b>OF008AL-15</b>	20204CAL Filtro Cartuccia carta 15µ 20204CAL Filter Paper cartridge 15µ	1/4"	2bar
<b>OF010AL-15</b>	20201CAL Filtro Cartuccia carta 15µ 20201CAL Filter Paper cartridge 15µ	3/8"	2bar
<b>OF015AL-15</b>	20202CAL Filtro Cartuccia carta 15µ 20202CAL Filter Paper cartridge 15µ	1/2"	2bar

Caratteristiche tecniche/Technical features	
<b>Pmax - Inlet max</b>	2bar
<b>Filtri - Filters</b>	100µ - 44µ - 15µ
<b>Attacchi Inlet-Outlet Connection</b>	1/4" - 3/8" - 1/2" ISO 228
<b>Temperatura di esercizio Working temperature</b>	-20° C - +60° C
<b>Utilizzo - Use</b>	Gasolio - Diesel

**Materiali/Materials:**

<b>Corpo - Body</b>	Die - Cast Aluminium Gd - AlSi12Cu - EN AB 46100
<b>Cartuccia Cartridge</b>	Alluminio o carta Stainless steel mesh or paper

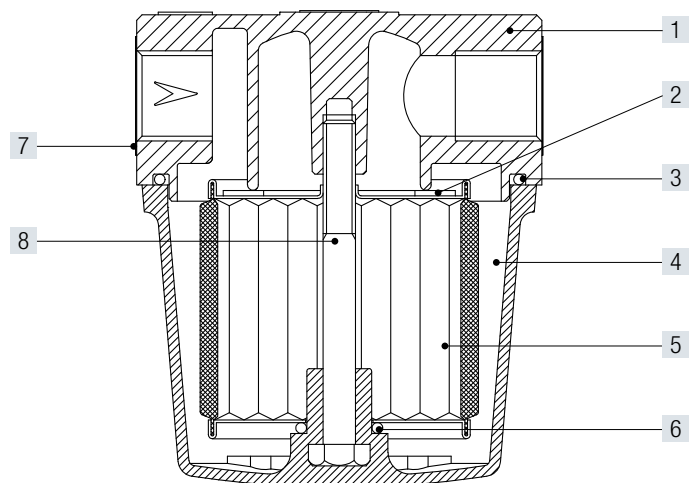
**RICAMBI / SPARE PARTS**

**Cartucce filtranti / Filter cartridge**

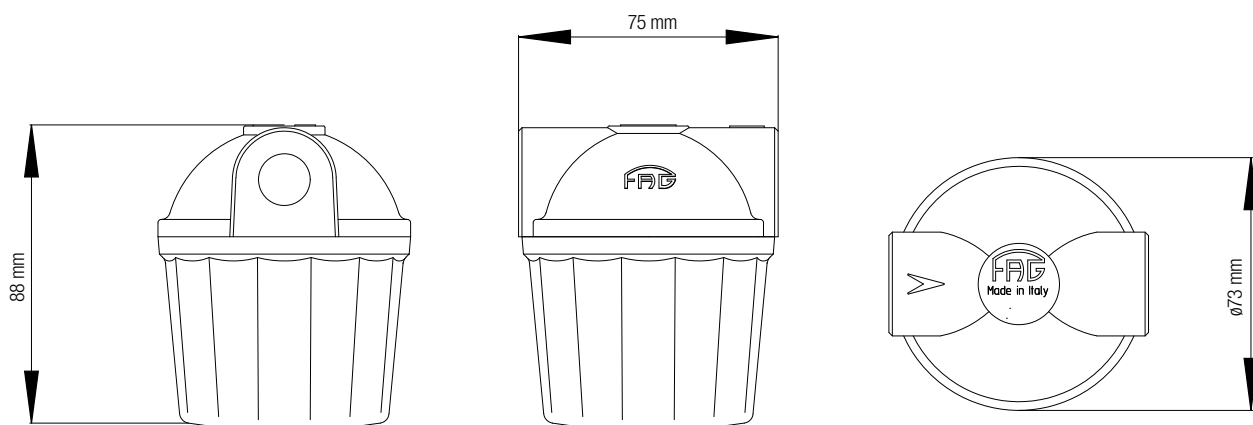
Cod./Cod.	Mod./Mod.	Descrizione/Description
<b>OFC100-3</b>	<b>20201/C1</b>	100µ - Inox grecata (Corrugated stainless steel) cm² 105
<b>OFC044-3</b>	<b>20201/C4</b>	44µ - Inox grecata (Corrugated stainless steel) cm² 105
<b>OFC015-3</b>	<b>20101CC5</b>	15µ - Carta ondulata (Corrugated paper) cm² 235

**Kit guarnizioni / Gasket kit**

Cod./Cod.	Mod./Mod.	Descrizione/Description
<b>OFG-3</b>	-	Kit guarnizioni per serie / Gasket kit for serie 20200



- |   |                       |
|---|-----------------------|
| 1 | Coperchio - Cover     |
| 2 | Guarnizione - Gasket  |
| 3 | O-Ring - O-Ring       |
| 4 | Vaschetta - Bowl      |
| 5 | Cartuccia - Cartridge |
| 6 | O-Ring - O-Ring       |
| 7 | Etichetta - Label     |
| 8 | Vite - Screw          |



Dimensioni / Dimension	1/4"	3/8"	1/2"
PESO / WEIGHT (g)	260	250	240

**FILTRI GASOLIO con vaschetta plastica trasparente**  
**DIESEL FILTERS with transparent plastic bowl**



Cod./Cod.	Descrizione/Description	Dim.	P.Max
<b>OF008PL</b>	20204/PL Filtro Cartuccia inox 100µ 20204/PL Filter Stainless steel cartridge 100µ	1/4"	1bar
<b>OF010PL</b>	20201/PL Filtro Cartuccia inox 100µ 20201/PL Filter Stainless steel cartridge 100µ	3/8"	1bar
<b>OF010PL-R</b>	20201/SL Filtro Cartuccia inox 100µ 20201/SL Filter Stainless steel cartridge 100µ	3/8"	1bar con racc. I/O with I/O fittings
<b>OF015PL</b>	20202/PL Filtro Cartuccia inox 100µ 20202/PL Filter Stainless steel cartridge 100µ	1/2"	1bar
<b>OF010PL-44</b>	20201PL4 Filtro Cartuccia inox 44µ 20201PL4 Filter Stainless steel cartridge 44µ	3/8"	1bar
<b>OF015PL-44</b>	20202PL4 Filtro Cartuccia inox 44µ 20202PL4 Filter Stainless steel cartridge 44µ	1/2"	1bar
<b>OF008PL-15</b>	20204CPL Filtro Cartuccia carta 15µ 20204CPL Filter Paper cartridge 15µ	1/4"	1bar
<b>OF010PL-15</b>	20201CPL Filtro Cartuccia carta 15µ 20201CPL Filter Paper cartridge 15µ	3/8"	1bar
<b>OF015PL-15</b>	20202CPL Filtro Cartuccia carta 15µ 20202CPL Filter Paper cartridge 15µ	1/2"	1bar

Caratteristiche tecniche/Technical features	
<b>Pmax - Inlet max</b>	1bar
<b>Filtri - Filters</b>	100µ - 44µ - 15µ
<b>Attacchi Inlet-Outlet Connection</b>	1/4" - 3/8" - 1/2" - ISO 228
<b>Temperatura di esercizio Working temperature</b>	-20° C - +60° C
<b>Utilizzo - Use</b>	Gasolio - Diesel

**Materiali/Materials:**

<b>Corpo - Body</b>	Die - Cast Aluminium Gd - AISI12Cu - EN AB 46100
<b>Cartuccia Cartridge</b>	Alluminio o carta Stainless steel mesh or paper

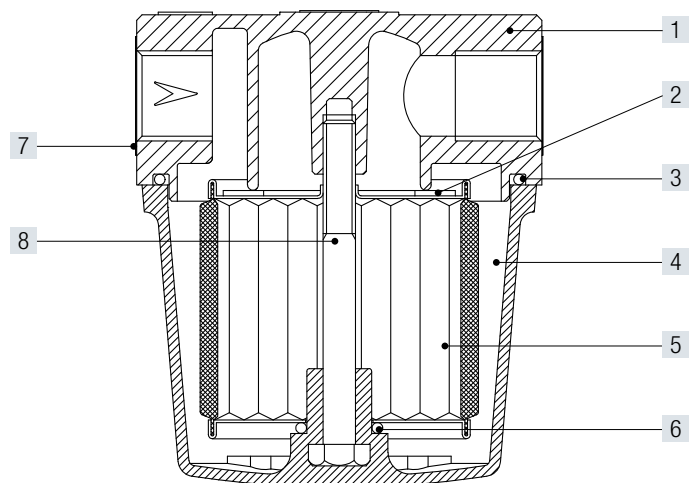
**RICAMBI / SPARE PARTS**

**Cartucce filtranti / Filter cartridge**

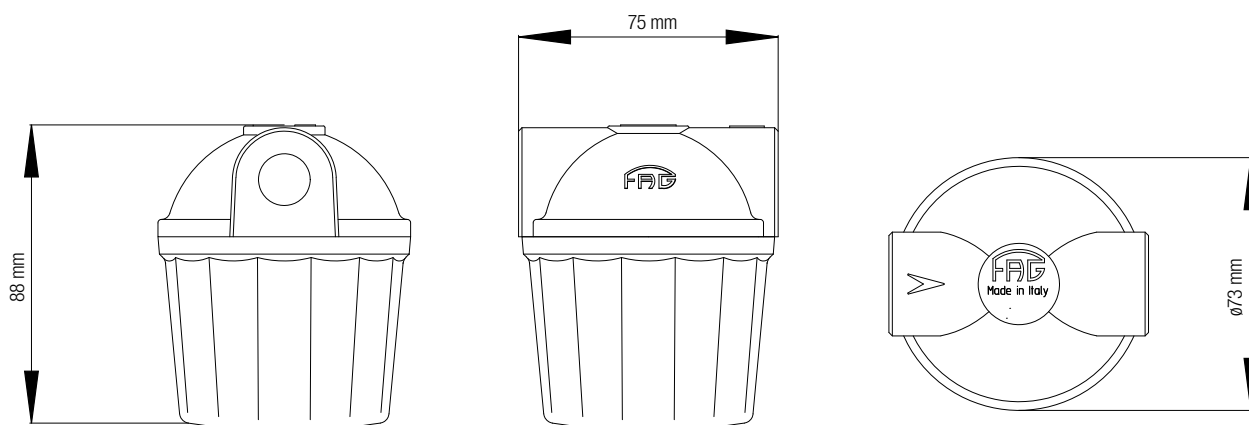
Cod./Cod.	Mod./Mod.	Descrizione/Description
<b>OFC100-3</b>	<b>20201/C1</b>	100µ - Inox grecata (Corrugated stainless steel) cm² 105
<b>OFC044-3</b>	<b>20201/C4</b>	44µ - Inox grecata (Corrugated stainless steel) cm² 105
<b>OFC015-3</b>	<b>20201CC5</b>	15µ - Carta ondulata (Corrugated paper) cm² 235

**Kit guarnizioni / Gasket kit**

Cod./Cod.	Mod./Mod.	Descrizione/Description
<b>OFG-3</b>	-	Kit guarnizioni per serie / Gasket kit for series 20200-20210-20230-20240-20250



- 1** Coperchio - Cover
- 2** Guarnizione - Gasket
- 3** O-Ring - O-Ring
- 4** Vaschetta - Bowl
- 5** Cartuccia - Cartridge
- 6** O-Ring - O-Ring
- 7** Etichetta - Label
- 8** Vite - Screw



Dimensioni / Dimension	1/4"	3/8"	1/2"
PESO / WEIGHT (g)	220	210	200

**FILTRI GASOLIO con vaschetta plastica trasparente con valvola di spurgo**  
**DIESEL FILTERS with transparent plastic bowl with water drain valve**



Cod./Cod.	Descrizione/Description	Dim.	P.Max
<b>OF008PL-BV</b>	20214/PL Filtro Cartuccia inox 100µ 20214/PL Filter Stainless steel cartridge 100µ	1/4"	1bar
<b>OF010PL-BV</b>	20211/PL Filtro Cartuccia inox 100µ 20211/PL Filter Stainless steel cartridge 100µ	3/8"	1bar
<b>OF015PL-BV</b>	20212/PL Filtro Cartuccia inox 100µ 20212/PL Filter Stainless steel cartridge 100µ	1/2"	1bar
<b>OF008PL-BV-44</b>	20214PL4 Filtro Cartuccia inox 44µ 20214PL4 Filter Stainless steel cartridge 44µ	1/4"	1bar
<b>OF010PL-BV-44</b>	20211PL4 Filtro Cartuccia inox 44µ 20211PL4 Filter Stainless steel cartridge 44µ	3/8"	1bar
<b>OF015PL-BV-44</b>	20212PL4 Filtro Cartuccia inox 44µ 20212PL4 Filter Stainless steel cartridge 44µ	1/2"	1bar
<b>OF008PL-BV-15</b>	20214CPL Filtro Cartuccia carta 15µ 20214CPL Filter Paper cartridge 15µ	1/4"	1bar
<b>OF010PL-BV-15</b>	20211CPL Filtro Cartuccia carta 15µ 20211CPL Filter Paper cartridge 15µ	3/8"	1bar
<b>OF015PL-BV-15</b>	20212CPL Filtro Cartuccia carta 15µ 20212CPL Filter Paper cartridge 15µ	1/2"	1bar

Caratteristiche tecniche/Technical features	
<b>Pmax - Inlet max</b>	1bar
<b>Filtri - Filters</b>	100µ - 44µ - 15µ
<b>Attacchi Inlet-Outlet Connection</b>	1/4" - 3/8" - 1/2" - ISO 228
<b>Temperatura di esercizio Working temperature</b>	-20° C - +60° C
<b>Utilizzo - Use</b>	Gasolio - Diesel

**Materiali/Materials:**

<b>Corpo - Body</b>	Die - Cast Aluminium Gd - AISI12Cu - EN AB 46100
<b>Cartuccia Cartridge</b>	Alluminio o carta Stainless steel mesh or paper

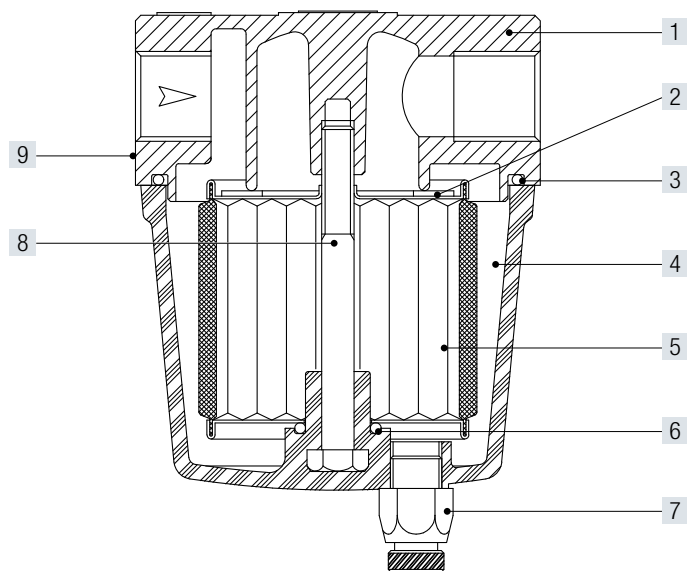
**RICAMBI / SPARE PARTS**

**Cartucce filtranti / Filter cartridge**

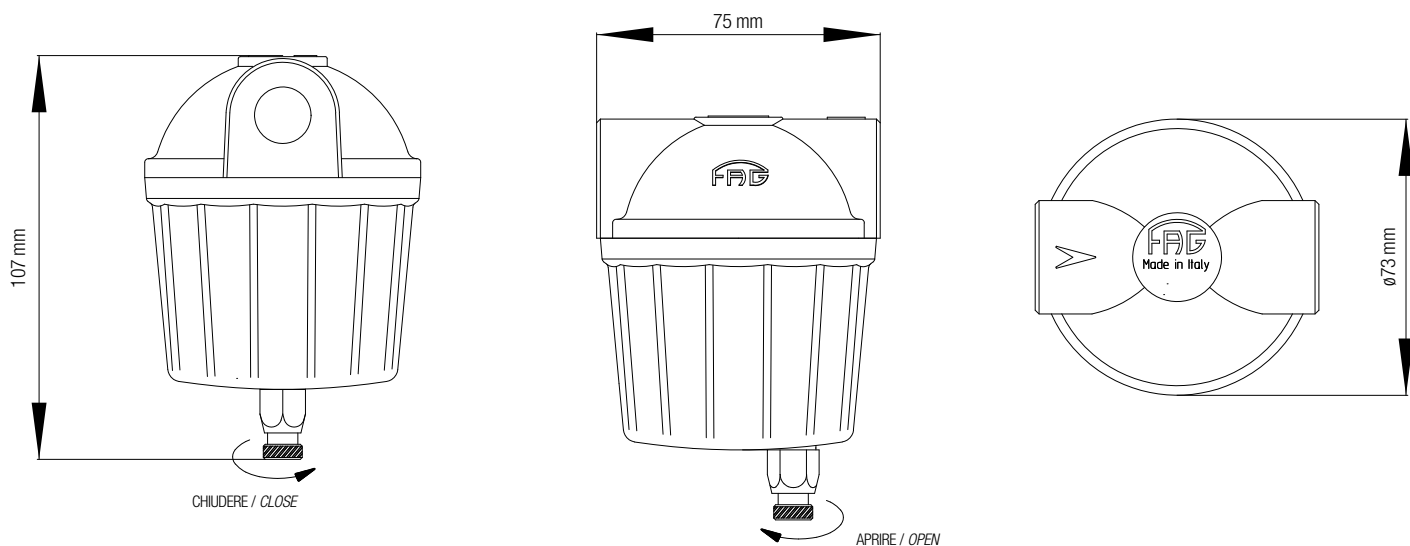
Cod./Cod.	Mod./Mod.	Descrizione/Description
<b>OFC100-3</b>	<b>20201/C1</b>	100µ - Inox grecata (Corrugated stainless steel) cm² 105
<b>OFC044-3</b>	<b>20201/C4</b>	44µ - Inox grecata (Corrugated stainless steel) cm² 105
<b>OFC015-3</b>	<b>20201CC5</b>	15µ - Carta ondulata (Corrugated paper) cm² 235

**Kit guarnizioni / Gasket kit**

Cod./Cod.	Mod./Mod.	Descrizione/Description
<b>OFG-3</b>	-	Kit guarnizioni per serie / Gasket kit for series 20200-20210-20230-20240-20250



- 1** Coperchio - Cover
- 2** Guarnizione - Gasket
- 3** O-Ring - O-Ring
- 4** Vaschetta - Bowl
- 5** Cartuccia - Cartridge
- 6** O-Ring - O-Ring
- 7** Valvola di spurgo - Water drain valve
- 8** Vite - Screw
- 9** Etichetta - Label



Dimensioni / Dimension	1/4"	3/8"	1/2"
PESO / WEIGHT (g)	240	230	220

**FILTRI GASOLIO con vaschetta in alluminio e rubinetto**  
**DIESEL FILTERS with aluminium bowl and valve**



Cod./Cod.	Descrizione/Description	Dim.	P.Max
<b>OF010AL-V</b>	20231/AL Filtro Cartuccia inox 100µ 20231/AL Filter Stainless steel cartridge 100µ	3/8"	2bar
<b>OF015AL-V</b>	20232/AL Filtro Cartuccia inox 100µ 20232/AL Filter Stainless steel cartridge 100µ	1/2"	2bar
<b>OF010AL-V-44</b>	20231AL4 Filtro Cartuccia inox 44µ 20231AL4 Filter Stainless steel cartridge 44µ	3/8"	2bar
<b>OFV010AL-V-44</b>	20231VA4 Filtro Cartuccia inox 44µ 20231VA4 Filter Stainless steel cartridge 44µ	3/8"	2bar (Viton)
<b>OF015AL-V-44</b>	20232AL4 Filtro Cartuccia inox 44µ 20232AL4 Filter Stainless steel cartridge 44µ	1/2"	2bar
<b>OF010AL-V-15</b>	20231CAL Filtro Cartuccia carta 15µ 20231CAL Filter Paper cartridge 15µ	3/8"	2bar
<b>OF015AL-V-15</b>	20232CAL Filtro Cartuccia carta 15µ 20232CAL Filter Paper cartridge 15µ	1/2"	2bar

Caratteristiche tecniche/Technical features	
<b>Pmax - Inlet max</b>	2bar
<b>Filtri - Filters</b>	100µ - 44µ - 15µ
<b>Attacchi Inlet-Outlet Connection</b>	3/8" - 1/2" ISO 228
<b>Temperatura di esercizio Working temperature</b>	-20° C - +60° C
<b>Utilizzo - Use</b>	Gasolio - Diesel

**Materiali/Materials:**

<b>Corpo - Body</b>	Die - Cast Aluminium Gd - AISI12Cu - EN AB 46100
<b>Cartuccia Cartridge</b>	Alluminio o carta Stainless steel mesh or paper

**RICAMBI / SPARE PARTS**

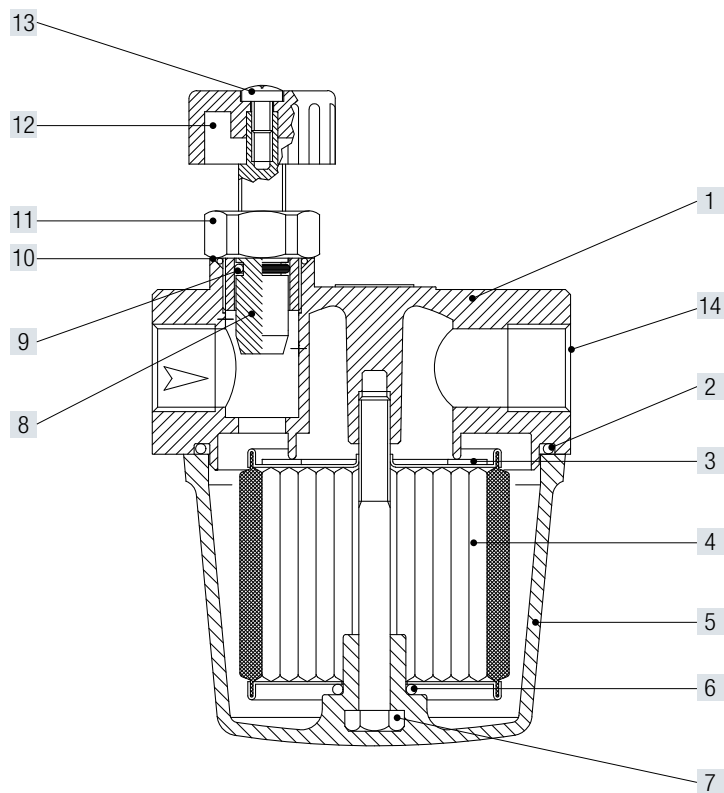
**Cartucce filtranti / Filter cartridge**

Cod./Cod.	Mod./Mod.	Descrizione/Description
<b>OFC100-3</b>	<b>20201/C1</b>	100µ - Inox grecata (Corrugated stainless steel) cm² 105
<b>OFC044-3</b>	<b>20201/C4</b>	44µ - Inox grecata (Corrugated stainless steel) cm² 105
<b>OFC015-3</b>	<b>20201CC5</b>	15µ - Carta ondulata (Corrugated paper) cm² 235

**Kit guarnizioni / Gasket kit**

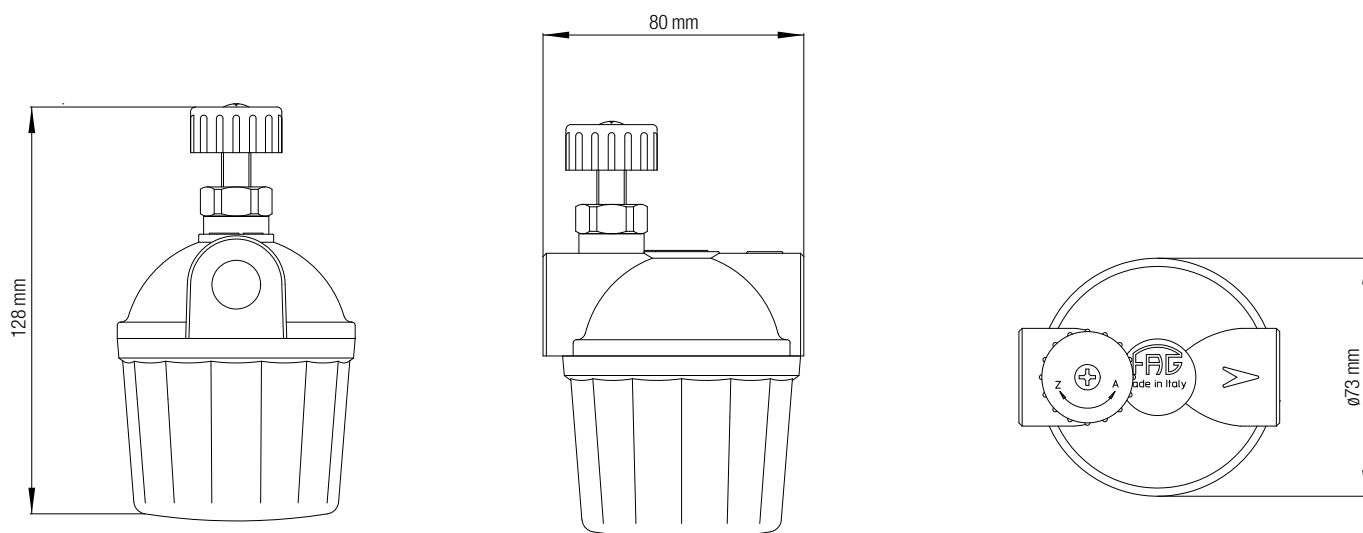
Cod./Cod.	Mod./Mod.	Descrizione/Description
<b>OFG-3</b>	-	Kit guarnizioni per serie / Gasket kit for series 20200-20210-20230-20240-20250





1	Coperchio - Cover
2	O-Ring - O-Ring
3	Guarnizione - Gasket
4	Cartuccia - Cartridge
5	Vaschetta - Bowl
6	O-Ring - O-Ring
7	Vite - Screw

8	Asta Rubinetto - Shaft
9	O-Ring - O-Ring
10	O-Ring - O-Ring
11	Raccordo - Junction
12	Pomolo - Pull
13	Vite - Screw
14	Etichetta - Label



Dimensioni / Dimension	<b>3/8"</b>	<b>1/2"</b>
PESO / WEIGHT (g)	315	305

**FILTRI GASOLIO con vaschetta in plastica e rubinetto**  
**DIESEL FILTERS with plastic bowl and valve**



Cod./Cod.	Descrizione/Description	Dim.	P.Max
<b>OF010PL-V</b>	20231/PL Filtro Cartuccia inox 100µ 20231/PL Filter Stainless steel cartridge 100µ	3/8"	1bar
<b>OF015PL-V</b>	20232/PL Filtro Cartuccia inox 100µ 20232/PL Filter Stainless steel cartridge 100µ	3/8"	1bar
<b>OF010PL-V-44</b>	20231PL4 Filtro Cartuccia inox 44µ 20231PL4 Filter Stainless steel cartridge 44µ	3/8"	1bar
<b>OF015PL-V-44</b>	20232PL4 Filtro Cartuccia inox 44µ 20232PL4 Filter Stainless steel cartridge 44µ	1/2"	1bar
<b>OF010PL-V-15</b>	20231CPL Filtro Cartuccia carta 15µ 20231CPL Filter Paper cartridge 15µ	3/8"	1bar
<b>OF015PL-V-15</b>	20232CPL Filtro Cartuccia carta 15µ 20232CPL Filter Paper cartridge 15µ	1/2"	1bar

Caratteristiche tecniche/Technical features	
<b>Pmax - Inlet max</b>	1bar
<b>Filtri - Filters</b>	100µ - 44µ - 15µ
<b>Attacchi Inlet-Outlet Connection</b>	3/8" - 1/2" ISO 228
<b>Temperatura di esercizio Working temperature</b>	-20° C - +60° C
<b>Utilizzo - Use</b>	Gasolio - Diesel

**Materiali/Materials:**

<b>Corpo - Body</b>	Die - Cast Aluminium Gd - AISI12Cu - EN AB 46100
<b>Cartuccia Cartridge</b>	Alluminio o carta Stainless steel mesh or paper

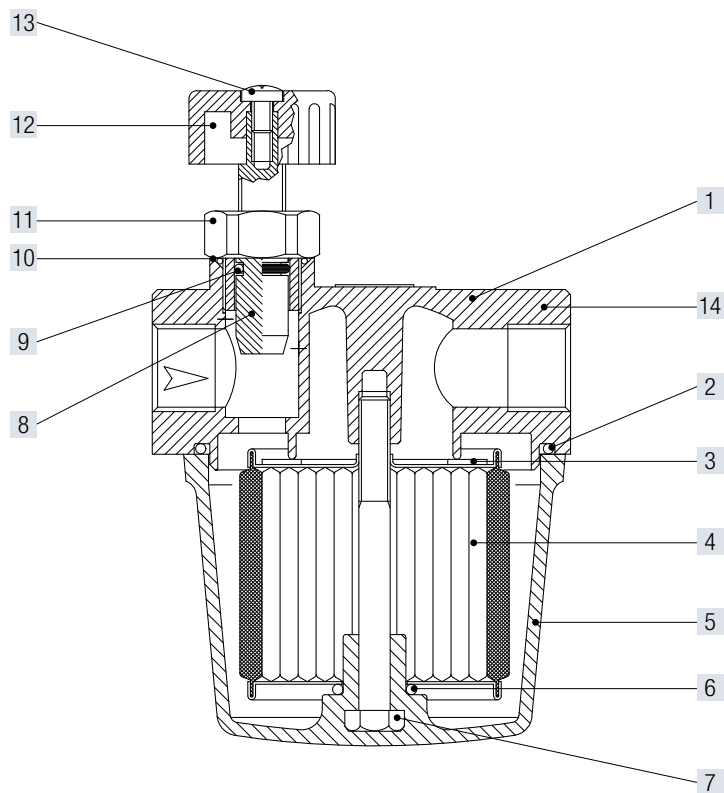
**RICAMBI / SPARE PARTS**

**Cartucce filtranti / Filter cartridge**

Cod./Cod.	Mod./Mod.	Descrizione/Description
<b>OFC100-3</b>	<b>20201/C1</b>	100µ - Inox grecata (Corrugated stainless steel) cm² 105
<b>OFC044-3</b>	<b>20201/C4</b>	44µ - Inox grecata (Corrugated stainless steel) cm² 105
<b>OFC015-3</b>	<b>20201CC5</b>	15µ - Carta ondulata (Corrugated paper) cm² 235

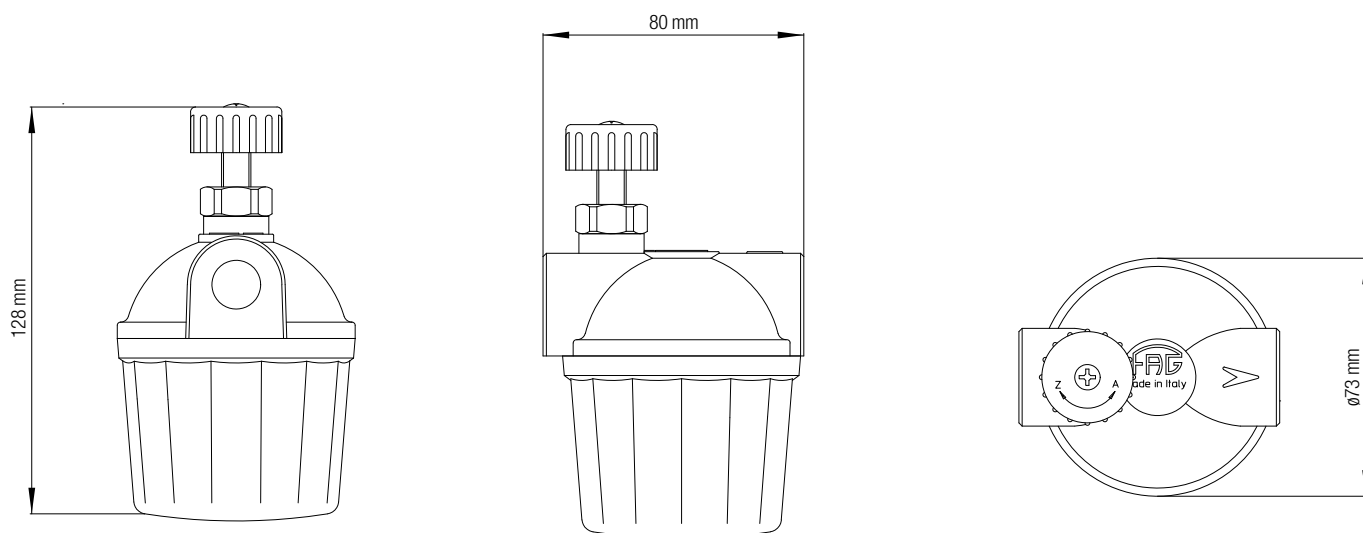
**Kit guarnizioni / Gasket kit**

Cod./Cod.	Mod./Mod.	Descrizione/Description
<b>OFG-3</b>	-	Kit guarnizioni per serie / Gasket kit for series 20200-20210-20230-20240-20250



<b>1</b>	Coperchio - Cover
<b>2</b>	O-Ring - O-Ring
<b>3</b>	Guarnizione - Gasket
<b>4</b>	Cartuccia - Cartridge
<b>5</b>	Vaschetta - Bowl
<b>6</b>	O-Ring - O-Ring
<b>7</b>	Vite - Screw

<b>8</b>	Asta Rubinetto - Shaft
<b>9</b>	O-Ring - O-Ring
<b>10</b>	O-Ring - O-Ring
<b>11</b>	Raccordo - Junction
<b>12</b>	Pomolo - Pull
<b>13</b>	Vite - Screw
<b>14</b>	Etichetta - Label



<b>Dimensioni / Dimension</b>	<b>3/8"</b>	<b>1/2"</b>
<b>PESO / WEIGHT (g)</b>	275	265

**FILTRI GASOLIO con vaschetta in alluminio e rubinetto con sicurezza**  
**DIESEL FILTERS with aluminium bowl and shut-off valve**



Cod./Cod.	Descrizione/Description	Dim.	P.Max
<b>OF010AL-SSV</b>	20241/AL Filtro Cartuccia inox 100µ 20241/AL Filter Stainless steel cartridge 100µ	3/8"	2bar
<b>OF015AL-SSV</b>	20242/AL Filtro Cartuccia inox 100µ 20242/AL Filter Stainless steel cartridge 100µ	1/2"	2bar
<b>OF010AL-SSV-44</b>	20241AL4 Filtro Cartuccia inox 44µ 20241AL4 Filter Stainless steel cartridge 44µ	3/8"	2bar
<b>OF015AL-SSV-44</b>	20242AL4 Filtro Cartuccia inox 44µ 20242AL4 Filter Stainless steel cartridge 44µ	1/2"	2bar
<b>OF010AL-SSV-15</b>	20241CAL Filtro Cartuccia carta 15µ 20241CAL Filter Paper cartridge 15µ	3/8"	2bar
<b>OF015AL-SSV-15</b>	20242CAL Filtro Cartuccia carta 15µ 20242CAL Filter Paper cartridge 15µ	1/2"	2bar

**Dispositivo di sicurezza/Safety device**

Il rubinetto interrompe automaticamente il flusso del combustibile al raggiungimento della temperatura di 70 °C  
 When it reaches a temperature of 70° C, the valve closes automatically

**Caratteristiche tecniche/Technical features**

<b>Pmax - Inlet max</b>	2bar
<b>Filtri - Filters</b>	100µ - 44µ - 15µ
<b>Attacchi Inlet-Outlet Connection</b>	3/8" - 1/2" ISO 228
<b>Temperatura di esercizio Working temperature</b>	-20° C - +60° C
<b>Utilizzo - Use</b>	Gasolio - Diesel

**Materiali/Materials:**

<b>Corpo - Body</b>	Die - Cast Aluminium Gd - AISI12Cu - EN AB 46100
<b>Cartuccia Cartridge</b>	Alluminio o carta Stainless steel mesh or paper

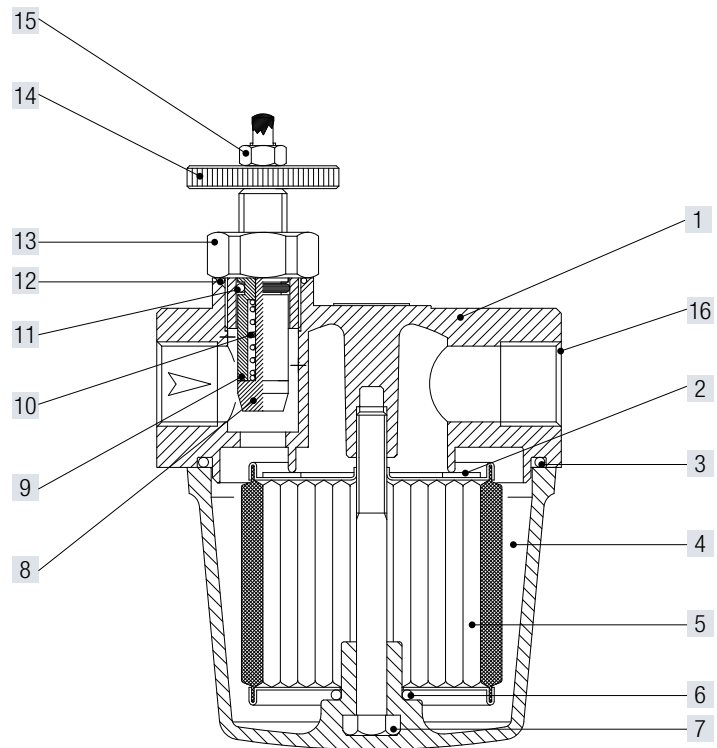
**RICAMBI / SPARE PARTS**

**Cartucce filtranti / Filter cartridge**

Cod./Cod.	Mod./Mod.	Descrizione/Description
<b>OFC100-3</b>	<b>20201/C1</b>	100µ - Inox grecata (Corrugated stainless steel) cm² 105
<b>OFC044-3</b>	<b>20201/C4</b>	44µ - Inox grecata (Corrugated stainless steel) cm² 105
<b>OFC015-3</b>	<b>20201CC5</b>	15µ - Carta ondulata (Corrugated paper) cm² 235

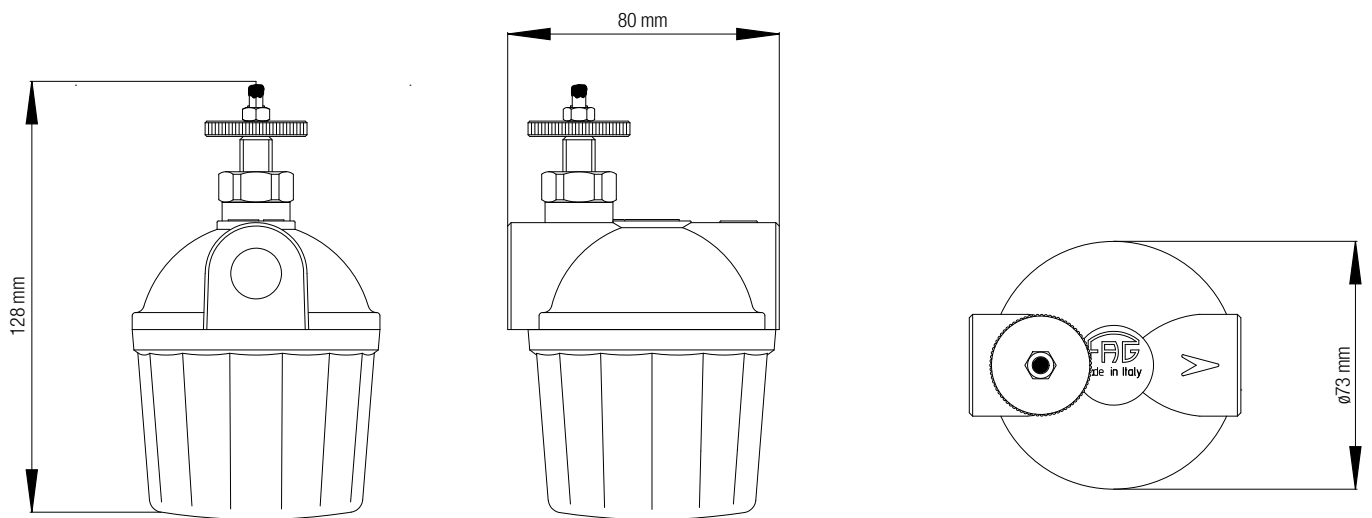
**Kit guarnizioni / Gasket kit**

Cod./Cod.	Mod./Mod.	Descrizione/Description
<b>OFG-3</b>	-	Kit guarnizioni per serie / Gasket kit for series 20200-20210-20230-20240-20250



1	Coperchio - Cover
2	Guarnizione - Gasket
3	O-Ring - O-Ring
4	Vaschetta - Bowl
5	Cartuccia - Cartridge
6	O-Ring - O-Ring
7	Vite - Screw
8	Asta - Shaft

9	Asta - Shaft
10	Molla - Spring
11	O-Ring - O-Ring
12	O-Ring - O-Ring
13	Raccordo - Junction
14	Pomolo - Pull
15	Dado - Nut
16	Etichetta - Label



Dimensioni / Dimension	<b>3/8"</b>	<b>1/2"</b>
PESO / WEIGHT (g)	320	310

**FILTRI GASOLIO con vaschetta in plastica e rubinetto con sicurezza**  
**DIESEL FILTERS with plastic bowl and shut-off valve**



Cod./Cod.	Descrizione/Description	Dim.	P.Max
<b>OF010PL-SSV</b>	20241/PL Filtro Cartuccia inox 100µ 20241/PL Filter Stainless steel cartridge 100µ	3/8"	1bar
<b>OF015PL-SSV</b>	20242/PL Filtro Cartuccia inox 100µ 20242/PL Filter Stainless steel cartridge 100µ	1/2"	1bar
<b>OF010PL-SSV-44</b>	20241PL4 Filtro Cartuccia inox 44µ 20241PL4 Filter Stainless steel cartridge 44µ	3/8"	1bar
<b>OF015PL-SSV-44</b>	20242PL4 Filtro Cartuccia inox 44µ 20242PL4 Filter Stainless steel cartridge 44µ	1/2"	1bar
<b>OF010PL-SSV-15</b>	20241CPL Filtro Cartuccia carta 15µ 20241CPL Filter Paper cartridge 15µ	3/8"	1bar
<b>OF015PL-SSV-15</b>	20242CPL Filtro Cartuccia carta 15µ 20242CPL Filter Paper cartridge 15µ	1/2"	1bar

**Dispositivo di sicurezza/Safety device**

Il rubinetto interrompe automaticamente il flusso del combustibile al raggiungimento della temperatura di 70 °C  
 When it reaches a temperature of 70° C, the valve closes automatically

**Caratteristiche tecniche/Technical features**

<b>Pmax - Inlet max</b>	1bar
<b>Filtri - Filters</b>	100µ - 44µ - 15µ
<b>Attacchi Inlet-Outlet Connection</b>	3/8" - 1/2" ISO 228
<b>Temperatura di esercizio Working temperature</b>	-20° C - +60° C
<b>Utilizzo - Use</b>	Gasolio - Diesel

**Materiali/Materials:**

<b>Corpo - Body</b>	Die - Cast Aluminium Gd - AISI12Cu - EN AB 46100
<b>Cartuccia Cartridge</b>	Alluminio o carta Stainless steel mesh or paper

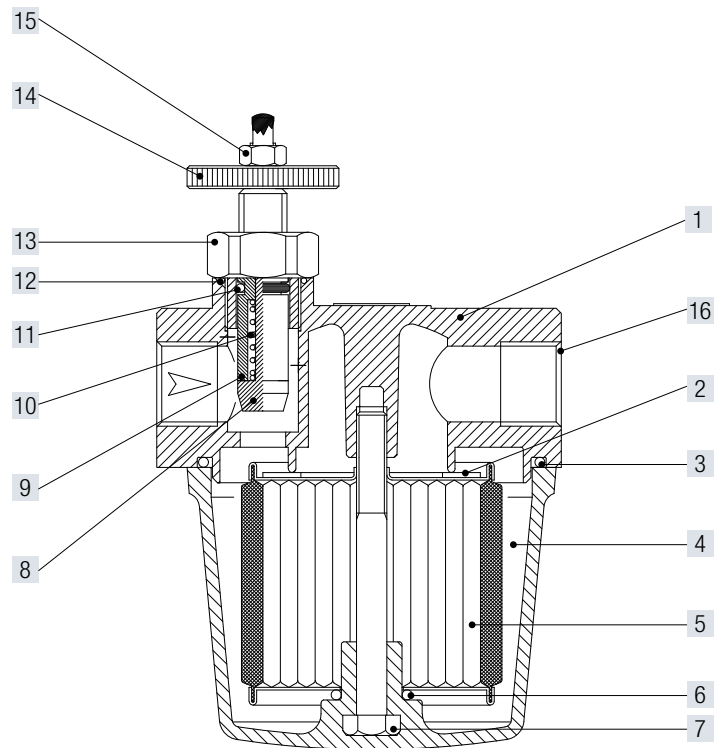
**RICAMBI / SPARE PARTS**

**Cartucce filtranti / Filter cartridge**

Cod./Cod.	Mod./Mod.	Descrizione/Description
<b>OFC100-3</b>	<b>20201/C1</b>	100µ - Inox grecata (Corrugated stainless steel) cm² 105
<b>OFC044-3</b>	<b>20201/C4</b>	44µ - Inox grecata (Corrugated stainless steel) cm² 105
<b>OFC015-3</b>	<b>20201CC5</b>	15µ - Carta ondulata (Corrugated paper) cm² 235

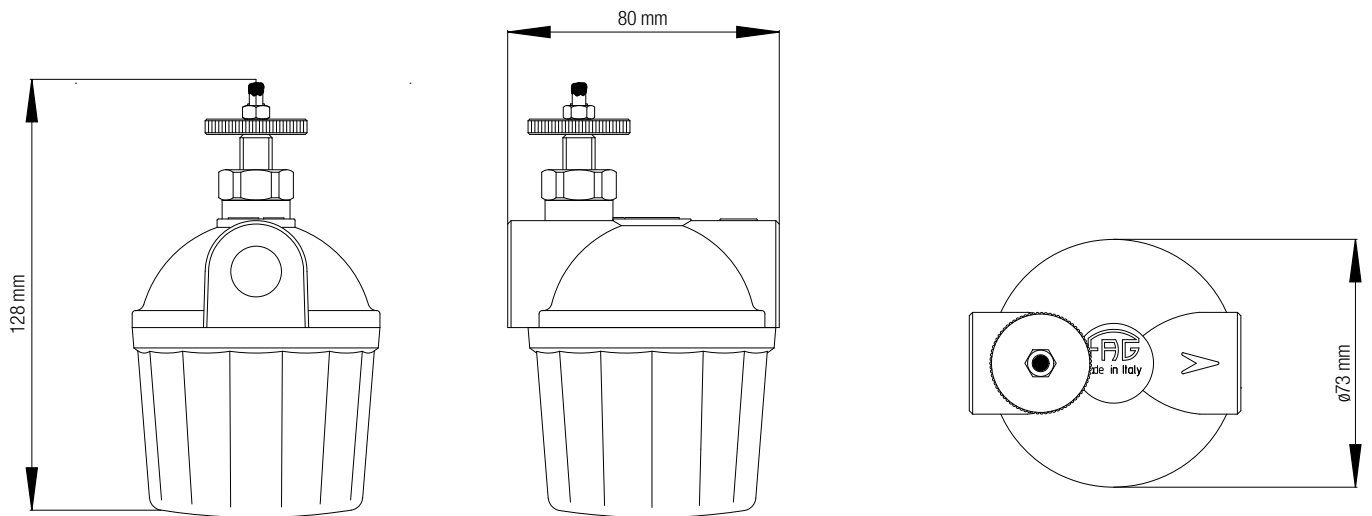
**Kit guarnizioni / Gasket kit**

Cod./Cod.	Mod./Mod.	Descrizione/Description
<b>OFG-3</b>	-	Kit guarnizioni per serie / Gasket kit for series 20200-20210-20230-20240-20250



1	Coperchio - Cover
2	Guarnizione - Gasket
3	O-Ring - O-Ring
4	Vaschetta - Bowl
5	Cartuccia - Cartridge
6	O-Ring - O-Ring
7	Vite - Screw
8	Asta - Shaft

9	Asta - Shaft
10	Molla - Spring
11	O-Ring - O-Ring
12	O-Ring - O-Ring
13	Raccordo - Junction
14	Pomolo - Pull
15	Dado - Nut
16	Etichetta - Label



Dimensioni / Dimension	<b>3/8"</b>	<b>1/2"</b>
PESO / WEIGHT (g)	280	270

**FILTRI GASOLIO A 2 VIE con vaschetta in alluminio, valvola di ritegno e rubinetto**  
**2 way DIESEL FILTERS with aluminium bowl, closing and check valve**



Cod./Cod.	Descrizione/Description	Dim.	P.Max
<b>OF010AL-2W</b>	20250/AL Filtro Cartuccia inox 100µ 20250/AL Filter Stainless steel cartridge 100µ	3/8"	2bar
<b>OF010AL-2W-44</b>	20250AL4 Filtro Cartuccia inox 44µ 20250AL4 Filter Stainless steel cartridge 44µ	3/8"	2bar
<b>OF010AL-2W-15</b>	20250CAL Filtro Cartuccia carta 15µ 20250CAL Filter Paper cartridge 15µ	3/8"	2bar

Caratteristiche tecniche/Technical features	
<b>Pmax - Inlet max</b>	2bar
<b>Filtri - Filters</b>	100µ - 44µ - 15µ
<b>Attacchi Inlet-Outlet Connection</b>	3/8" ISO 228
<b>Temperatura di esercizio Working temperature</b>	-20° C - +60° C
<b>Utilizzo - Use</b>	Gasolio - Diesel

**Materiali/Materials:**

<b>Corpo - Body</b>	Die - Cast Aluminium Gd - AlSi12Cu - EN AB 46100
<b>Cartuccia Cartridge</b>	Alluminio o carta Stainless steel mesh or paper

**RICAMBI / SPARE PARTS**

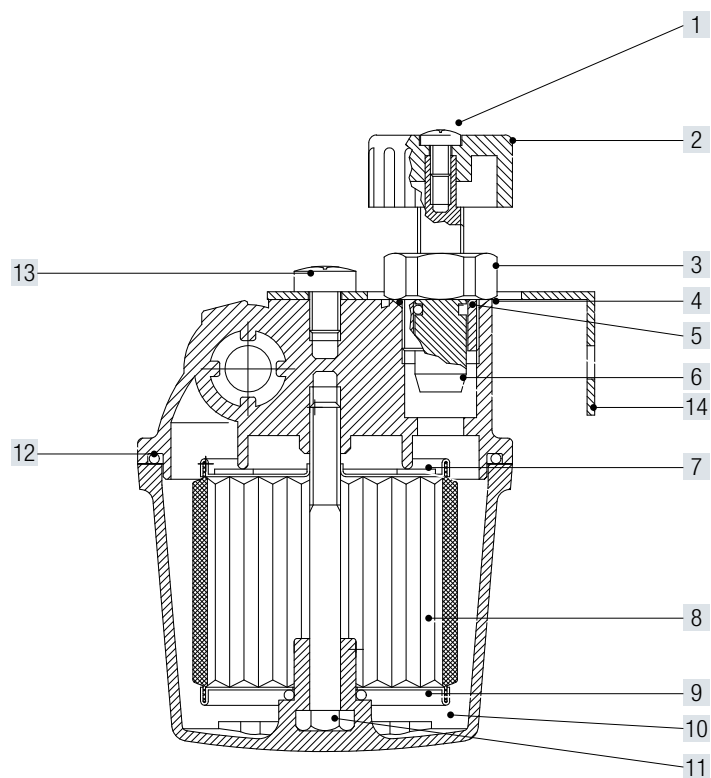
**Cartucce filtranti / Filter cartridge**

Cod./Cod.	Mod./Mod.	Descrizione/Description
<b>OFC100-3</b>	<b>20201/C1</b>	100µ - Inox grecata (Corrugated stainless steel) cm² 105
<b>OFC044-3</b>	<b>20201/C4</b>	44µ - Inox grecata (Corrugated stainless steel) cm² 105
<b>OFC015-3</b>	<b>20201CC5</b>	15µ - Carta ondulata (Corrugated paper) cm² 235

**Kit guarnizioni / Gasket kit**

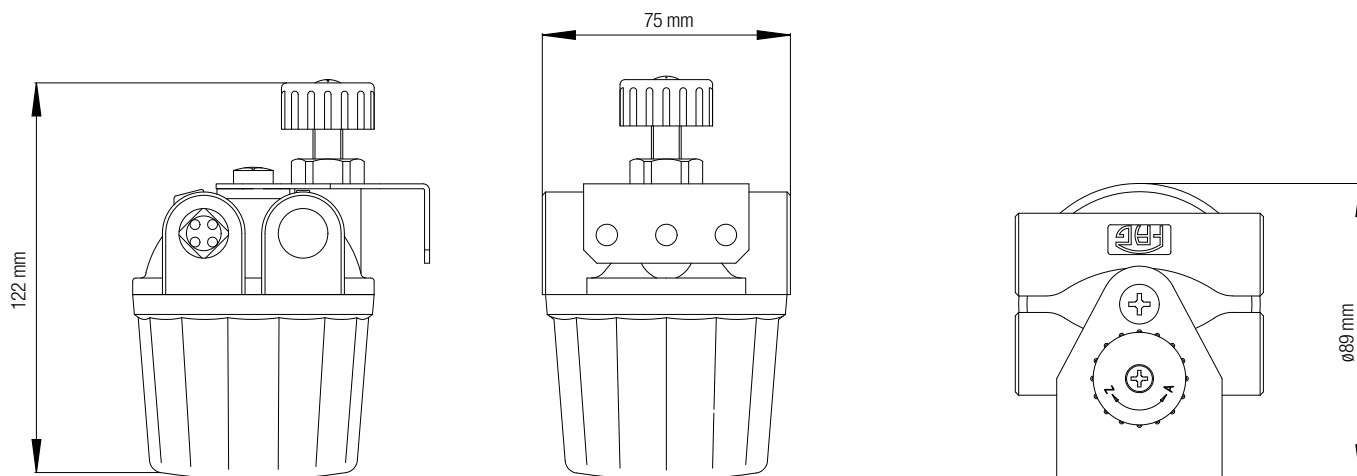
Cod./Cod.	Mod./Mod.	Descrizione/Description
<b>OFG-3</b>	-	Kit guarnizioni per serie / Gasket kit for series 20200-20210-20230-20240-20250





<b>1</b>	Vite - Screw
<b>2</b>	Pomolo - Pull
<b>3</b>	Raccordo - Junction
<b>4</b>	O-Ring - O-Ring
<b>5</b>	O-Ring - O-Ring
<b>6</b>	Asta - Shaft
<b>7</b>	Guarnizione - Gasket

<b>8</b>	Cartuccia - Cartridge
<b>9</b>	O-Ring - O-Ring
<b>10</b>	Vaschetta - Bowl
<b>11</b>	Vite - Screw
<b>12</b>	O-Ring - O-Ring
<b>13</b>	Vite - Screw
<b>14</b>	Staffa - Fixing bracket



<b>Dimensioni / Dimension</b>	<b>3/8"</b>
<b>PESO / WEIGHT (g)</b>	355

**FILTRI GASOLIO a 2 vie con vaschetta in plastica, valvola di ritegno e rubinetto**  
**2 way DIESEL FILTERS with plastic bowl, closing and check valve**



Cod./Cod.	Descrizione/Description	Dim.	P.Max
<b>OF010PL-2W</b>	20250/PL Filtro Cartuccia inox 100µ 20250/PL Filter Stainless steel cartridge 100µ	3/8"	1bar
<b>OF010PL-2W-44</b>	20250PL4 Filtro Cartuccia inox 44µ 20250PL4 Filter Stainless steel cartridge 44µ	3/8"	1bar
<b>OF010PL-2W-15</b>	20250CPL Filtro Cartuccia carta 15µ 20250CPL Filter Paper cartridge 15µ	3/8"	1bar

Caratteristiche tecniche/Technical features	
<b>Pmax - Inlet max</b>	1bar
<b>Filtri - Filters</b>	100µ - 44µ - 15µ
<b>Attacchi Inlet-Outlet Connection</b>	3/8" ISO 228
<b>Temperatura di esercizio Working temperature</b>	-20° C - +60° C
<b>Utilizzo - Use</b>	Gasolio - Diesel

**Materiali/Materials:**

<b>Corpo - Body</b>	Die - Cast Aluminium Gd - AlSi12Cu - EN AB 46100
<b>Cartuccia Cartridge</b>	Alluminio o carta Stainless steel mesh or paper

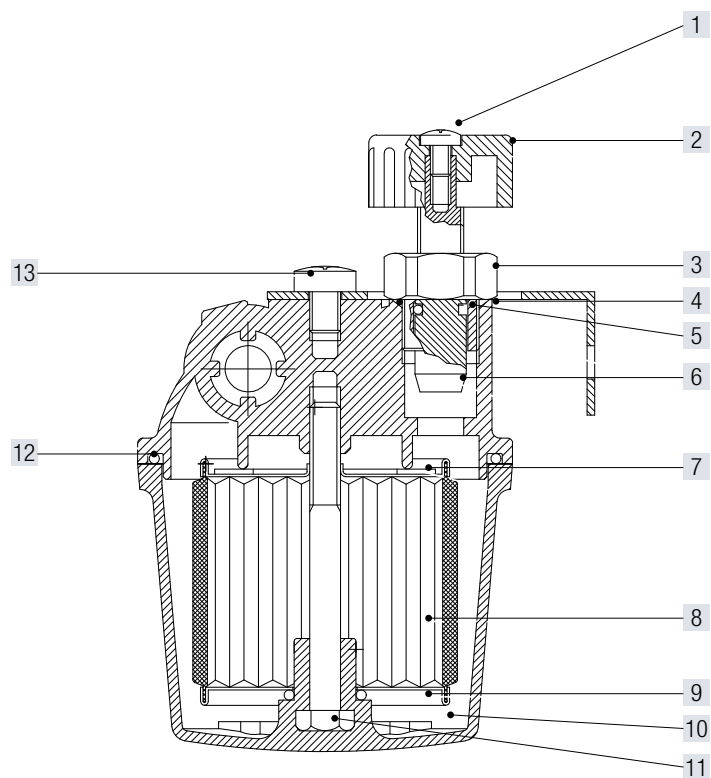
**RICAMBI / SPARE PARTS**

**Cartucce filtranti / Filter cartridge**

Cod./Cod.	Mod./Mod.	Descrizione/Description
<b>OFC100-3</b>	<b>20201/C1</b>	100µ - Inox grecata (Corrugated stainless steel) cm² 105
<b>OFC044-3</b>	<b>20201/C4</b>	44µ - Inox grecata (Corrugated stainless steel) cm² 105
<b>OFC015-3</b>	<b>20201CC5</b>	15µ - Carta ondulata (Corrugated paper) cm² 235

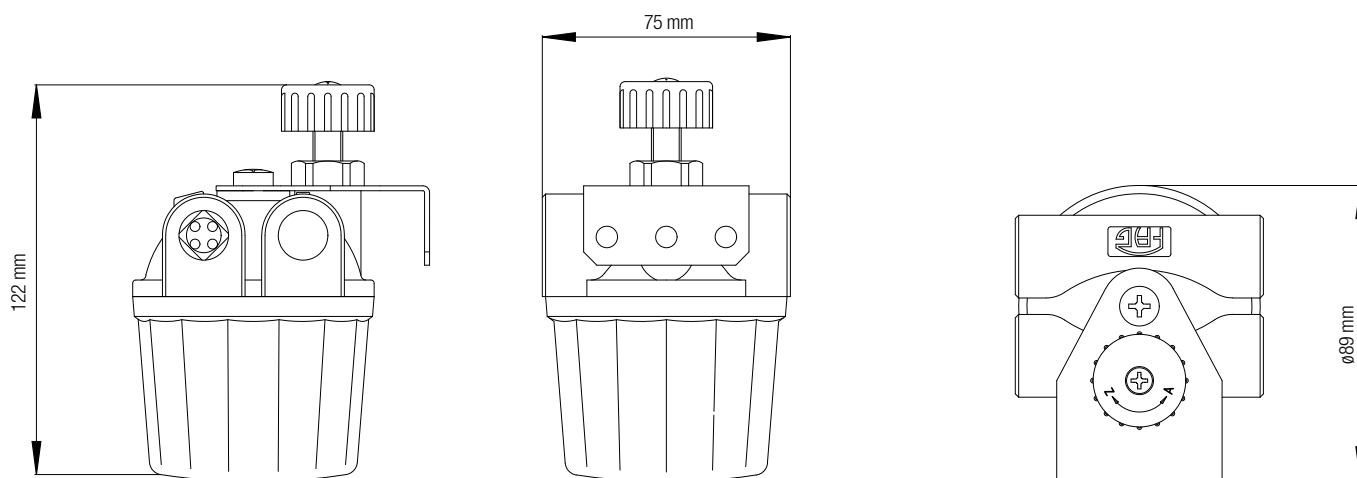
**Kit guarnizioni / Gasket kit**

Cod./Cod.	Mod./Mod.	Descrizione/Description
<b>OFG-3</b>	-	Kit guarnizioni per serie / Gasket kit for series 20200-20210-20230-20240-20250



<b>1</b>	Vite - Screw
<b>2</b>	Pomolo - Pull
<b>3</b>	Raccordo - Junction
<b>4</b>	O-Ring - O-Ring
<b>5</b>	O-Ring - O-Ring
<b>6</b>	Asta - Shaft
<b>7</b>	Guarnizione - Gasket

<b>8</b>	Cartuccia - Cartridge
<b>9</b>	O-Ring - O-Ring
<b>10</b>	Vaschetta - Bowl
<b>11</b>	Vite - Screw
<b>12</b>	O-Ring - O-Ring
<b>13</b>	Vite - Screw



Dimensioni / Dimension

3/8"

PESO / WEIGHT (g)

320

**FILTRI GASOLIO E OLIO COMBUSTIBILE**  
**DIESEL AND FUEL OIL FILTERS**



Cod./Cod.	Descrizione/Description	Dim.	P.Max
<b>OF010HC</b>	20224 Filtro Cartuccia inox 100µ H74 20224 Filter Stainless steel cartridge 100µ H74	3/8"	2bar
<b>OF015HC</b>	20225 Filtro Cartuccia inox 100µ H74 20225 Filter Stainless steel cartridge 100µ H74	1/2"	2bar

Caratteristiche tecniche/Technical features	
<b>Pmax - Inlet max</b>	2bar
<b>Filtri - Filters</b>	100µ
<b>Attacchi Inlet-Outlet Connection</b>	3/8" - 1/2" ISO 228
<b>Temperatura di esercizio Working temperature</b>	-20° C - +60° C
<b>Utilizzo - Use</b>	Gasolio e olio combustibile / Diesel and fuel oil

**Materiali/Materials:**

<b>Corpo - Body</b>	Die - Cast Aluminium Gd - AISI12Cu - EN AB 46100
<b>Cartuccia Cartridge</b>	Alluminio Stainless steel

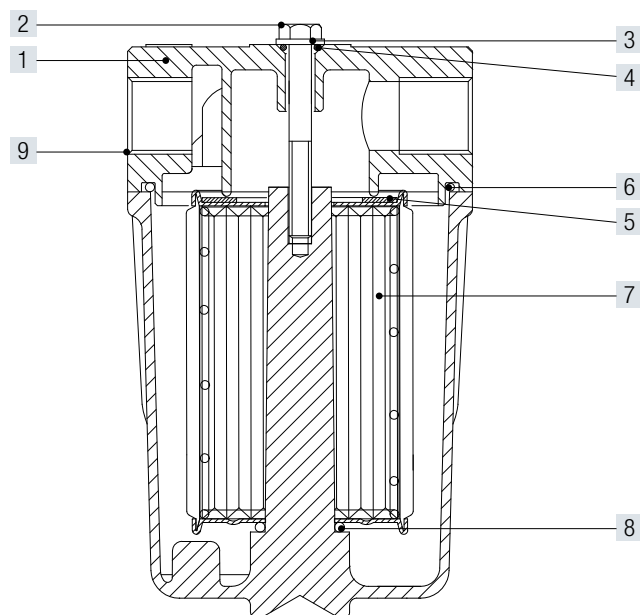
**RICAMBI / SPARE PARTS**

**Cartucce filtranti / Filter cartridge**

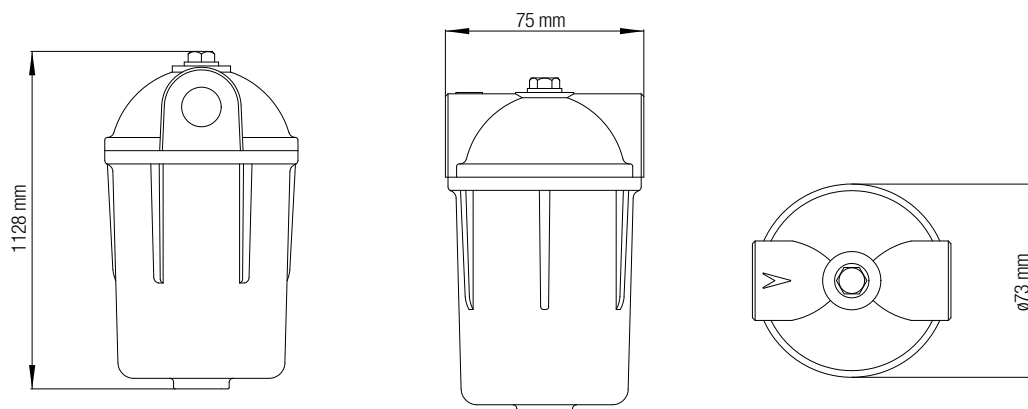
Cod./Cod.	Mod./Mod.	Descrizione/Description
<b>OFC100-5</b>	<b>20224/C1</b>	100µ - Inox grecata (Corrugated stainless steel) cm² 140

**Kit guarnizioni / Gasket kit**

Cod./Cod.	Mod./Mod.	Descrizione/Description
<b>OFG-5</b>	-	Kit guarnizioni per serie / Gasket kit for serie 20224



<b>1</b>	Coperchio - Cover
<b>2</b>	Vite - Screw
<b>3</b>	Rondella - Washer
<b>4</b>	O-Ring - O-Ring
<b>5</b>	Guarnizione - Gasket
<b>6</b>	O-Ring - O-Ring
<b>7</b>	Cartuccia - Cartridge
<b>8</b>	O-Ring - O-Ring
<b>9</b>	Etichetta - Label



<b>Dimensioni / Dimension</b>	<b>3/8"</b>	<b>1/2"</b>
<b>PESO / WEIGHT (g)</b>	350	340

**FILTRI GASOLIO E OLIO COMBUSTIBILE con resistenza**  
**DIESEL AND FUEL OIL FILTERS with heating element**



Cod./Cod.	Descrizione/Description	Dim.	P.Max
<b>OF008EH</b>	20223 Filtro Cartuccia inox 100µ 20223 Filter Stainless steel cartridge 100µ	1/4"	2bar R 100W
<b>OF010EH</b>	20221 Filtro Cartuccia inox 100µ 20221 Filter Stainless steel cartridge 100µ	3/8"	2bar R 100W
<b>OF015EH</b>	20222 Filtro Cartuccia inox 100µ 20222 Filter Stainless steel cartridge 100µ	1/2"	2bar R 100W
<b>OF008E2H</b>	20223/R2 Filtro Cartuccia inox 100µ 20223/R2 Filter Stainless steel cartridge 100µ	1/4"	2bar R 200W
<b>OF010E2H</b>	20221R2 Filtro Cartuccia inox 100µ 20221R2 Filter Stainless steel cartridge 100µ	3/8"	2bar R 100W

Caratteristiche tecniche/Technical features	
<b>Pmax - Inlet max</b>	2bar
<b>Filtri - Filters</b>	100µ
<b>Attacchi Inlet-Outlet Connection</b>	1/4" - 3/8" - 1/2" ISO 228
<b>Temperatura di esercizio Working temperature</b>	-20° C - +60° C
<b>Utilizzo - Use</b>	Gasolio e olio combustibile / Diesel and fuel oil
<b>Materiali/Materials:</b>	
<b>Corpo - Body</b>	Die - Cast Aluminium Gd - AISI12Cu - EN AB 46100
<b>Cartuccia Cartridge</b>	Alluminio Stainless steel

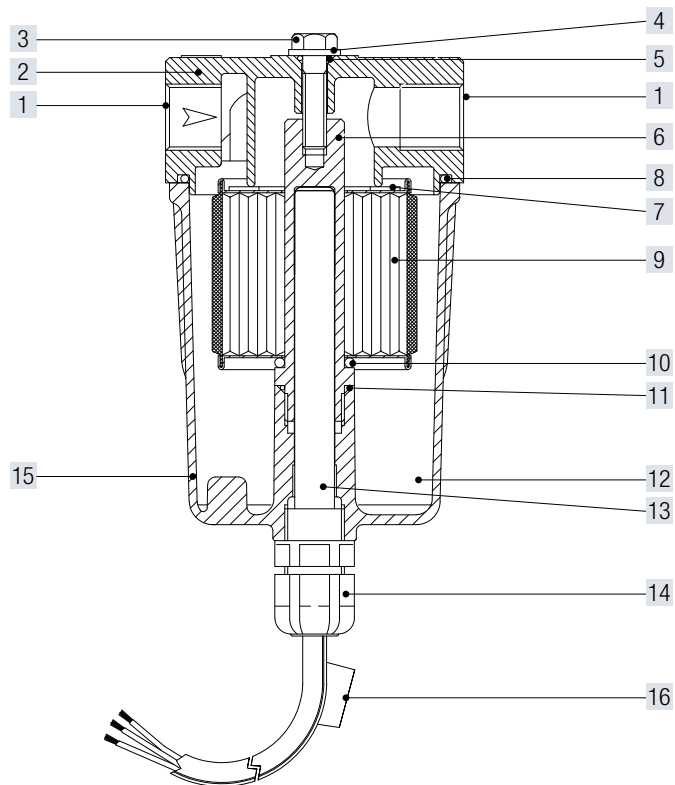
**RICAMBI / SPARE PARTS**

**Cartucce filtranti / Filter cartridge**

Cod./Cod.	Mod./Mod.	Descrizione/Description
<b>OFC100-4</b>	<b>20221/C1</b>	100µ - Inox grecata (Corrugated stainless steel) cm² 105
<b>OFC044-4</b>	<b>20221/C4</b>	44µ - Inox grecata (Corrugated stainless steel) cm² 105

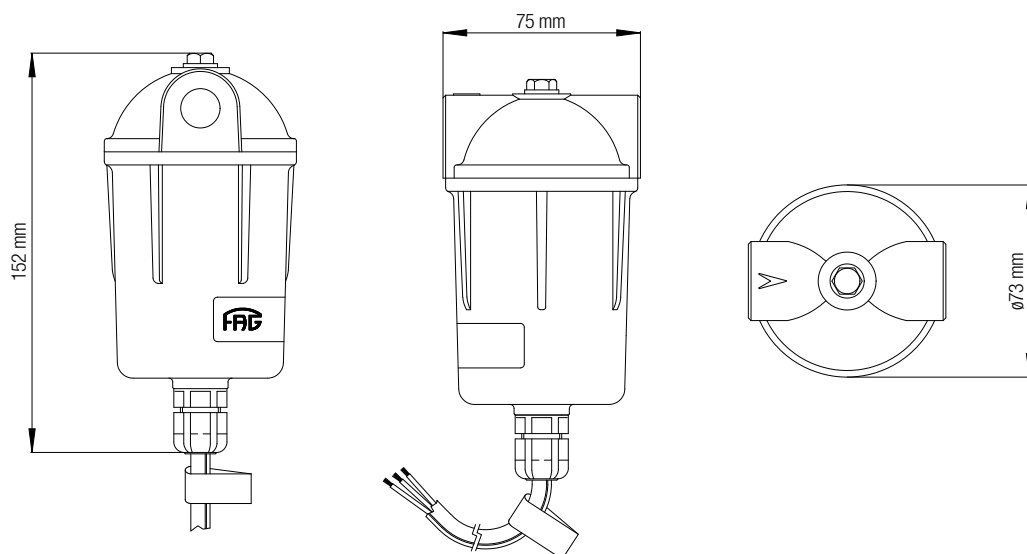
**Kit guarnizioni / Gasket kit**

Cod./Cod.	Mod./Mod.	Descrizione/Description
<b>OFG-4</b>	-	Kit guarnizioni per serie / Gasket kit for serie 20220



<b>1</b>	Etichetta - Label
<b>2</b>	Coperchio - Cover
<b>3</b>	Vite - Screw
<b>4</b>	Rondella - Washer
<b>5</b>	O-Ring - O-Ring
<b>6</b>	Perno - Pivot
<b>7</b>	Guarnizione - Gasket
<b>8</b>	O-Ring - O-Ring

<b>9</b>	Cartuccia - Cartridge
<b>10</b>	O-Ring - O-Ring
<b>11</b>	O-Ring - O-Ring
<b>12</b>	Vaschetta - Bowl
<b>13</b>	Resistenza - Electrical heater
<b>14</b>	Pressacavo - Cable gland
<b>15</b>	Etichetta - Label
<b>16</b>	Etichetta - Label



Dimensioni / Dimension	1/4"	3/8"	1/2"
PESO / WEIGHT (g)	450	440	420

**FILTRI PER OLIO COMBUSTIBILE con vite di spurgo**  
**FUEL OIL FILTERS with water drain valve**

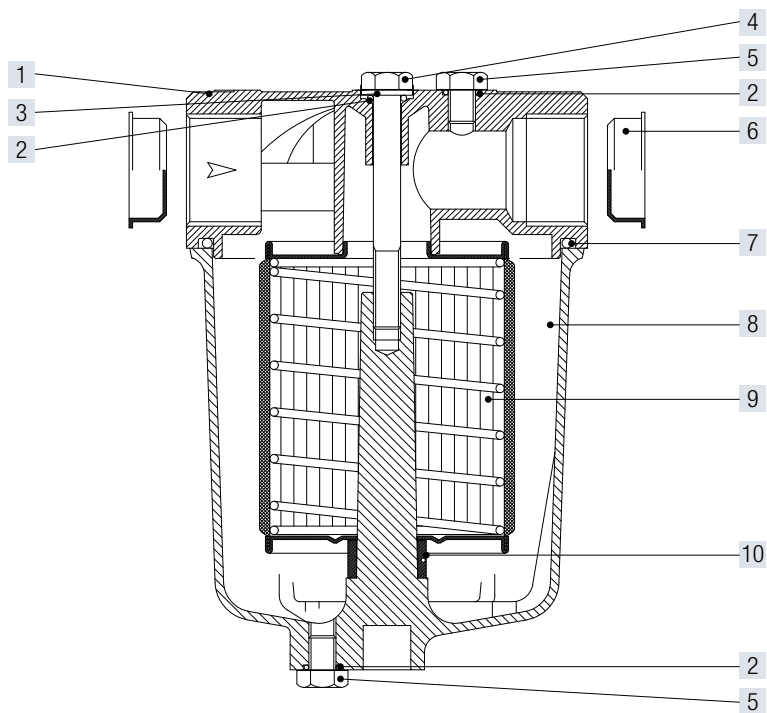


Cod./Cod.	Descrizione/Description	Dim.	P.Max
<b>OF015BV</b>	20306/10 Filtro Cartuccia inox 100µ 20306/10 Filter Stainless steel cartridge 100µ	1/2"	2bar
<b>OF015BV-200</b>	20306/20 Filtro Cartuccia inox 200µ 20306/20 Filter Stainless steel cartridge 200µ	1/2"	2bar
<b>OF015BV-300</b>	20306/30 Filtro Cartuccia inox 300µ 20306/30 Filter Stainless steel cartridge 300µ	1/2"	2bar
<b>OF020BV</b>	20304/10 Filtro Cartuccia inox 100µ 20304/10 Filter Stainless steel cartridge 100µ	3/4"	2bar
<b>OF020BV-200</b>	20304/20 Filtro Cartuccia inox 200µ 20304/20 Filter Stainless steel cartridge 200µ	3/4"	2bar
<b>OF020BV-300</b>	20304/30 Filtro Cartuccia inox 300µ 20304/30 Filter Stainless steel cartridge 300µ	3/4"	2bar
<b>OF025BV</b>	20301/10 Filtro Cartuccia inox 100µ 20301/10 Filter Stainless steel cartridge 100µ	1"	2bar
<b>OFV025BV</b>	20301V10 Filtro biodiesel Cartuccia inox 100µ 20301V10 Biodiesel filter Stainless steel cartridge 100µ	1"	2bar (Viton)
<b>OF025BV-200</b>	20301/20 Filtro Cartuccia inox 200µ 20301/20 Filter Stainless steel cartridge 200µ	1"	2bar
<b>OF025BV-300</b>	20301/30 Filtro Cartuccia inox 300µ 20301/30 Filter Stainless steel cartridge 300µ	1"	2bar

Caratteristiche tecniche/Technical features	
<b>Pmax - Inlet max</b>	2bar
<b>Filtri - Filters</b>	100µ - 200µ - 300µ
<b>Attacchi Inlet-Outlet Connection</b>	1/2" - 1/2" - 1" - ISO 228
<b>Temperatura di esercizio Working temperature</b>	-20° C - +60° C
<b>Utilizzo - Use</b>	Olio combustibile / Fuel oil
<b>Materiali/Materials:</b>	
<b>Corpo - Body</b>	Die - Cast Aluminium Gd - AISI12Cu - EN AB 46100
<b>Cartuccia Cartridge</b>	Alluminio Stainless steel

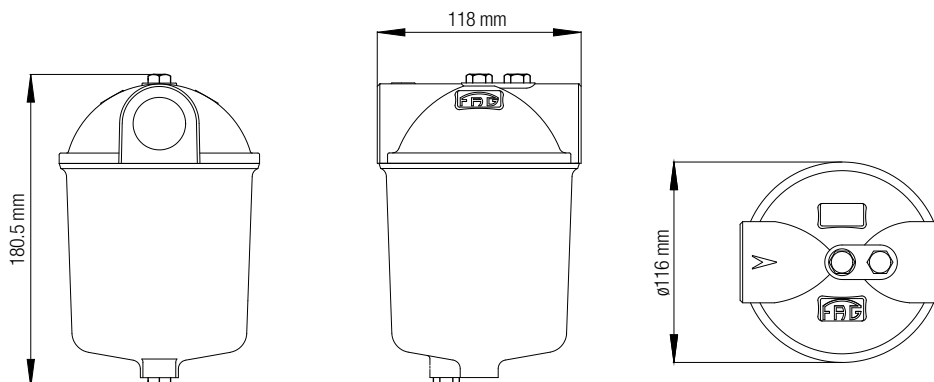
RICAMBI / SPARE PARTS		
Cartucce filtranti / Filter cartridge		
Cod./Cod.	Mod./Mod.	Descrizione/Description
<b>OFC100-6</b>	<b>20301/C1</b>	100µ - Inox grecata (Corrugated stainless steel) cm² 300
<b>OFC200-6</b>	<b>20301/C2</b>	200µ - Inox grecata (Corrugated stainless steel) cm² 300
<b>OFC300-6</b>	<b>20301/C3</b>	300µ - Inox grecata (Corrugated stainless steel) cm² 530
Kit guarnizioni / Gasket kit		
Cod./Cod.	Mod./Mod.	Descrizione/Description
<b>OFG-6</b>	-	Kit guarnizioni per serie / Gasket kit for series 20300-20350





- 1** Coperchio - Cover
- 2** O-Ring - O-Ring
- 3** Rondella - Washer
- 4** Vite - Screw
- 5** Vite - Screw

- 6** Tappo - Screw cover
- 7** O-Ring - O-Ring
- 8** Vaschetta - Bowl
- 9** Cartuccia - Cartridge
- 10** Guarnizione o molla - Gasket or spring



Dimensioni / Dimension	1/2"	3/4"	1"
PESO / WEIGHT (g)	910	880	850

**FILTRI PER OLIO COMBUSTIBILE con vite di spurgo e resistenza**  
**FUEL OIL FILTERS with water drain valve and heating element**



Cod./Cod.	Descrizione/Description	Dim.	P.Max
<b>OF015BV-EH</b>	20356/10 Filtro Cartuccia inox 100µ 20356/10 Filter Stainless steel cartridge 100µ	1/2"	2bar
<b>OF015BV-EH-200</b>	20356/20 Filtro Cartuccia inox 200µ 20356/20 Filter Stainless steel cartridge 200µ	1/2"	2bar
<b>OF015BV-EH-300</b>	20356/30 Filtro Cartuccia inox 300µ 20356/30 Filter Stainless steel cartridge 300µ	1/2"	2bar
<b>OF020BV-EH</b>	20354/10 Filtro Cartuccia inox 100µ 20354/10 Filter Stainless steel cartridge 100µ	3/4"	2bar
<b>OF020BV-EH-200</b>	20354/20 Filtro Cartuccia inox 200µ 20354/20 Filter Stainless steel cartridge 200µ	3/4"	2bar
<b>OF020BV-EH-300</b>	20354/30 Filtro Cartuccia inox 300µ 20354/30 Filter Stainless steel cartridge 300µ	3/4"	2bar
<b>OF025BV-EH</b>	20351/10 Filtro Cartuccia inox 100µ 20351/10 Filter Stainless steel cartridge 100µ	1"	2bar
<b>OF025BV-EH-200</b>	20351/20 Filtro Cartuccia inox 200µ 20351/20 Filter Stainless steel cartridge 200µ	1"	2bar
<b>OF025BV-EH-300</b>	20351/30 Filtro Cartuccia inox 300µ 20351/30 Filter Stainless steel cartridge 300µ	1"	2bar

Caratteristiche tecniche/Technical features	
<b>Pmax - Inlet max</b>	2bar
<b>Filtri - Filters</b>	100µ - 200µ - 300µ
<b>Attacchi Inlet-Outlet Connection</b>	1/2" - 3/4" - 1" ISO 228
<b>Temperatura di esercizio Working temperature</b>	-20° C - +60° C
<b>Utilizzo - Use</b>	Olio combustibile / Fuel oil

**Materiali/Materials:**

<b>Corpo - Body</b>	Die - Cast Aluminium Gd - AlSi12Cu - EN AB 46100
<b>Cartuccia Cartridge</b>	Alluminio Stainless steel

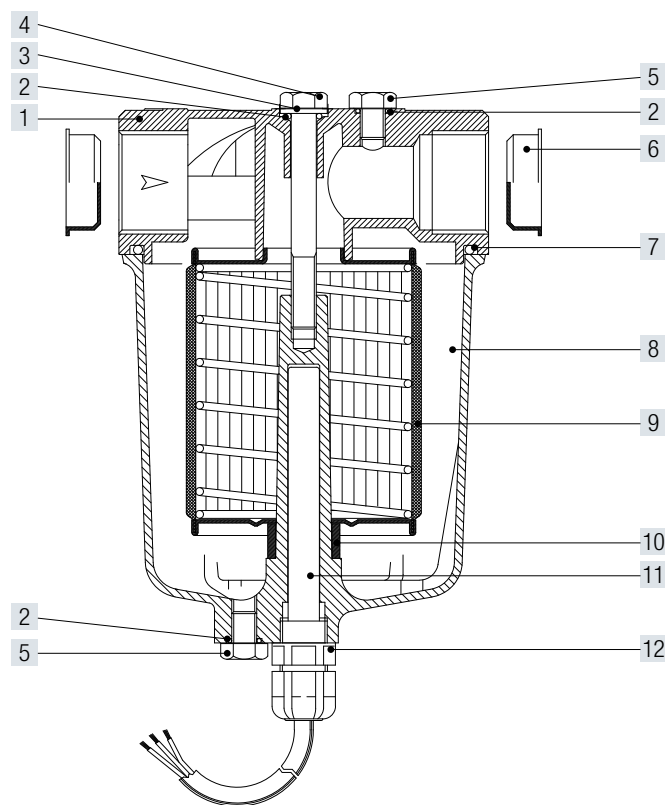
**RICAMBI / SPARE PARTS**

**Cartucce filtranti / Filter cartridge**

Cod./Cod.	Mod./Mod.	Descrizione/Description
<b>OFC100-6</b>	<b>20301/C1</b>	100µ - Inox grecata (Corrugated stainless steel) cm² 300
<b>OFC200-6</b>	<b>20301/C2</b>	200µ - Inox grecata (Corrugated stainless steel) cm² 300
<b>OFC300-6</b>	<b>20301/C3</b>	300µ - Inox grecata (Corrugated stainless steel) cm² 530

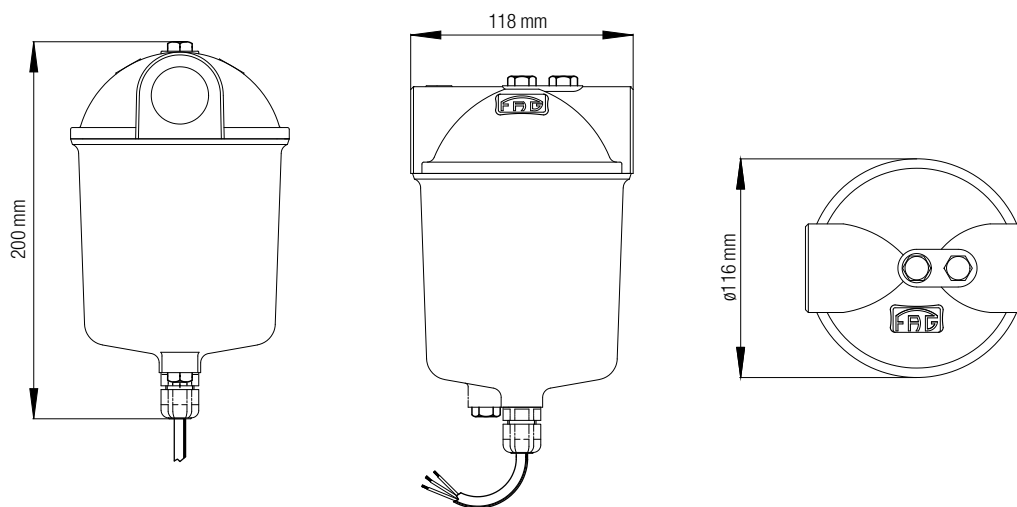
**Kit guarnizioni / Gasket kit**

Cod./Cod.	Mod./Mod.	Descrizione/Description
<b>OFG-6</b>	-	Kit guarnizioni per serie / Gasket kit for series 20300-20350



<b>1</b>	Coperchio - Cover
<b>2</b>	O-Ring - O-Ring
<b>3</b>	Rondella - Washer
<b>4</b>	Vite - Screw
<b>5</b>	Vite - Screw
<b>6</b>	Tappo - Screw cover

<b>7</b>	O-Ring - O-Ring
<b>8</b>	Vaschetta - Bowl
<b>9</b>	Cartuccia - Cartridge
<b>10</b>	Guarnizione o molla - Gasket or spring
<b>11</b>	Resistenza - Electrical heater
<b>12</b>	Pressacavo - Cable gland



Dimensioni / Dimension	1/2"	3/4"	1"
PESO / WEIGHT (g)	990	960	930

**FILTRI PER OLIO COMBUSTIBILE con vite di spurgo**  
**FUEL OIL FILTERS with water drain valve**



Cod./Cod.	Descrizione/Description	Dim.	P.Max
<b>OF025HC-BV</b>	20401/10 Filtro Cartuccia inox 100µ 20401/10 Filter Stainless steel cartridge 100µ	1"	2bar
<b>OF025HC-BV-200</b>	20401/20 Filtro Cartuccia inox 200µ 20401/20 Filter Stainless steel cartridge 200µ	1"	2bar
<b>OF025HC-BV-300</b>	20401/30 Filtro Cartuccia inox 300µ 20401/30 Filter Stainless steel cartridge 300µ	1"	2bar
<b>OF032HC-BV</b>	20402/10 Filtro Cartuccia inox 100µ 20354/10 Filter Stainless steel cartridge 100µ	1"1/4	2bar
<b>OF032HC-BV-200</b>	20402/20 Filtro Cartuccia inox 200µ 20402/20 Filter Stainless steel cartridge 200µ	1"1/4	2bar
<b>OF032HC-BV-300</b>	20402/30 Filtro Cartuccia inox 300µ 20402/30 Filter Stainless steel cartridge 300µ	1"1/4	2bar
<b>OF040HC-BV</b>	20403/10 Filtro Cartuccia inox 100µ 20403/10 Filter Stainless steel cartridge 100µ	1"1/2	2bar
<b>OF040HC-BV-200</b>	20403/20 Filtro Cartuccia inox 200µ 20403/20 Filter Stainless steel cartridge 200µ	1"1/2	2bar
<b>OF040HC-BV-300</b>	20403/30 Filtro Cartuccia inox 300µ 20403/30 Filter Stainless steel cartridge 300µ	1"1/2	2bar

Caratteristiche tecniche/Technical features	
<b>Pmax - Inlet max</b>	2bar
<b>Filtri - Filters</b>	100µ - 200µ - 300µ
<b>Attacchi Inlet-Outlet Connection</b>	1" - 1"1/4 - 1"1/2 ISO 228
<b>Temperatura di esercizio Working temperature</b>	-20° C - +60° C
<b>Utilizzo - Use</b>	Olio combustibile / Fuel oil

**Materiali/Materials:**

<b>Corpo - Body</b>	Die - Cast Aluminium Gd - AISI12Cu - EN AB 46100
<b>Cartuccia Cartridge</b>	Alluminio Stainless steel

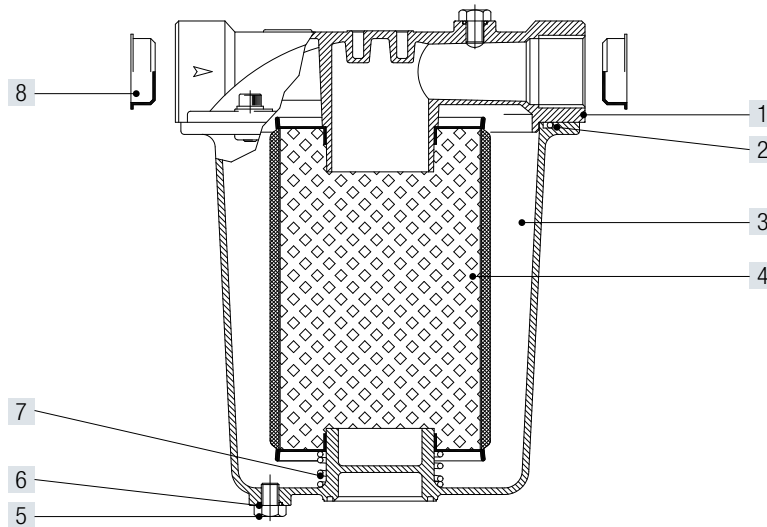
**RICAMBI / SPARE PARTS**

**Cartucce filtranti / Filter cartridge**

Cod./Cod.	Mod./Mod.	Descrizione/Description
<b>OFC100-7</b>	<b>20401/C1</b>	100µ - Inox grecata (Corrugated stainless steel) cm² 670
<b>OFC200-7</b>	<b>20401/C2</b>	200µ - Inox grecata (Corrugated stainless steel) cm² 670
<b>OFC300-7</b>	<b>20401/C3</b>	300µ - Inox grecata (Corrugated stainless steel) cm² 1130

**Kit guarnizioni / Gasket kit**

Cod./Cod.	Mod./Mod.	Descrizione/Description
<b>OFG-7</b>	-	Kit guarnizioni per serie / Gasket kit for series 20400-20450



- 1** Coperchio - Cover

---

- 2** O-Ring - O-Ring

---

- 3** Vaschetta - Bowl

---

- 4** Cartuccia - Cartridge

---

- 5** Vite - Screw

---

- 6** O-Ring - O-Ring

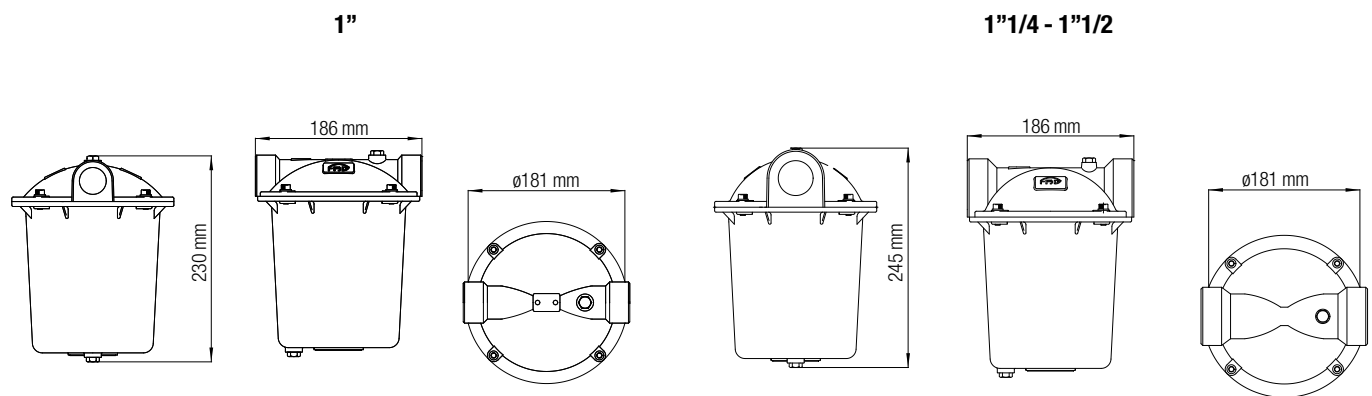
---

- 7** Guarnizione o molla - Gasket or spring

---

- 8** Tappo - Screw cover

---

Dimensioni / Dimension	1"	1"1/4	1"1/2
PESO / WEIGHT (g)	1750	2050	1980

**FILTRI PER OLIO COMBUSTIBILE con vite di spurgo, resistenza e termostato**  
**FUEL OIL FILTERS with water drain valve, heating element and thermostat**



Cod./Cod.	Descrizione/Description	Dim.	P.Max
<b>OF025BV-EHT</b>	20451/10 Filtro Cartuccia inox 100µ 20451/10 Filter Stainless steel cartridge 100µ	1"	2bar R 300W
<b>OF025BV-EHT-200</b>	20451/20 Filtro Cartuccia inox 200µ 20451/20 Filter Stainless steel cartridge 200µ	1"	2bar R 300W
<b>OF025BV-EHT-300</b>	20451/30 Filtro Cartuccia inox 300µ 20451/30 Filter Stainless steel cartridge 300µ	1"	2bar R 300W
<b>OF032BV-EHT</b>	20452/10 Filtro Cartuccia inox 100µ 20452/10 Filter Stainless steel cartridge 100µ	1"1/4	2bar R 300W
<b>OF032BV-EHT-200</b>	20452/20 Filtro Cartuccia inox 200µ 20452/20 Filter Stainless steel cartridge 200µ	1"1/4	2bar R 300W
<b>OF032BV-EHT-300</b>	20452/30 Filtro Cartuccia inox 300µ 20452/30 Filter Stainless steel cartridge 300µ	1"1/4	2bar R 300W
<b>OF040BV-EHT</b>	20453/10 Filtro Cartuccia inox 100µ 20453/10 Filter Stainless steel cartridge 100µ	1"1/2	2bar R 300W
<b>OF040BV-EHT-200</b>	20453/20 Filtro Cartuccia inox 200µ 20453/20 Filter Stainless steel cartridge 200µ	1"1/2	2bar R 300W
<b>OF040BV-EHT-300</b>	20453/30 Filtro Cartuccia inox 300µ 20453/30 Filter Stainless steel cartridge 300µ	1"1/2	2bar R 300W
<b>OFV025BV-EHT-300</b>	20451V30 Filtro biodiesel Cartuccia inox 300µ 20451V30 Biodiesel filter Stainless steel cartridge 300µ	1"	2bar R 300W

Caratteristiche tecniche/Technical features	
<b>Pmax - Inlet max</b>	2bar
<b>Filtri - Filters</b>	100µ - 200µ - 300µ
<b>Attacchi Inlet-Outlet Connection</b>	1" - 1"1/4 - 1"1/2 ISO 228
<b>Temperatura di esercizio Working temperature</b>	-20° C - +60° C
<b>Utilizzo - Use</b>	Olio combustibile / Fuel oil

**Materiali/Materials:**

<b>Corpo - Body</b>	Die - Cast Aluminium Gd - AISI12Cu - EN AB 46100
<b>Cartuccia Cartridge</b>	Alluminio Stainless steel

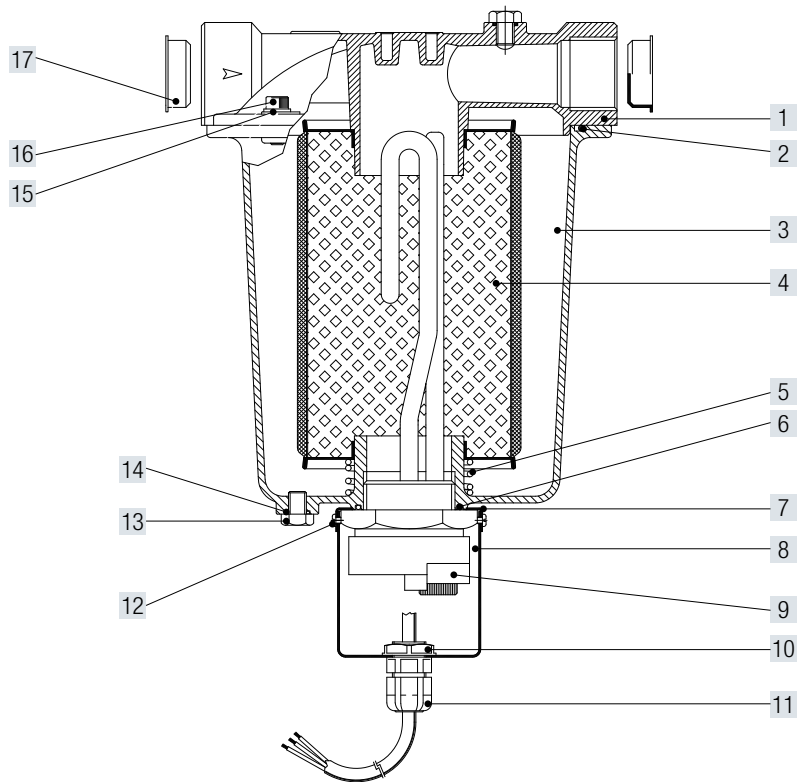
**RICAMBI / SPARE PARTS**

**Cartucce filtranti / Filter cartridge**

Cod./Cod.	Mod./Mod.	Descrizione/Description
<b>OFC100-7</b>	<b>20401/C1</b>	100µ - Inox grecata (Corrugated stainless steel) cm² 670
<b>OFC200-7</b>	<b>20401/C2</b>	200µ - Inox grecata (Corrugated stainless steel) cm² 670
<b>OFC300-7</b>	<b>20401/C3</b>	300µ - Inox grecata (Corrugated stainless steel) cm² 1130

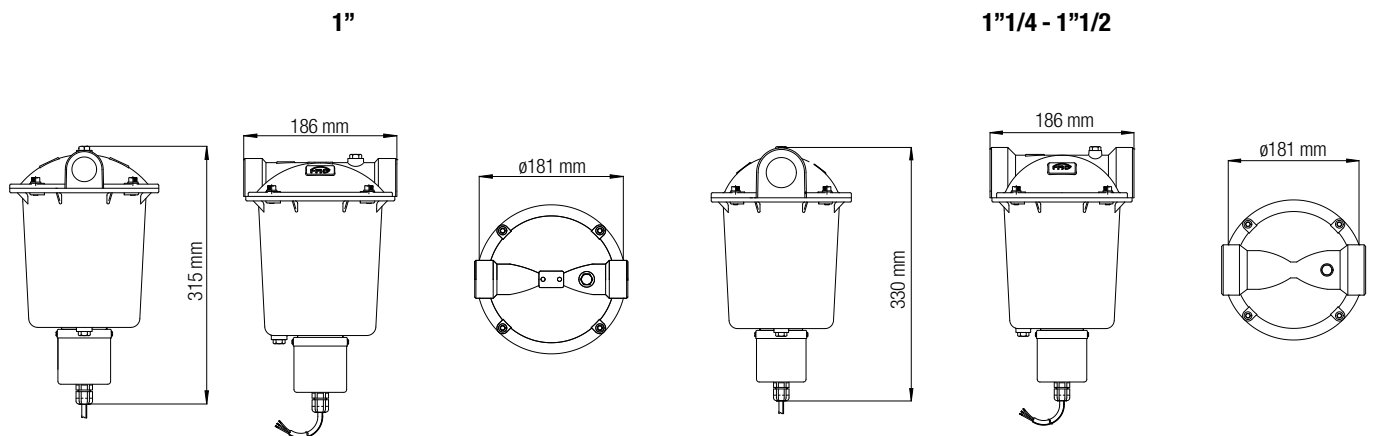
**Kit guarnizioni / Gasket kit**

Cod./Cod.	Mod./Mod.	Descrizione/Description
<b>OFG-7</b>	-	Kit guarnizioni per serie / Gasket kit for series 20400-20450



1	Coperchio - Cover
2	O-Ring - O-Ring
3	Vaschetta - Bowl
4	Cartuccia - Cartridge
5	Molla - Spring
6	O-Ring - O-Ring
7	Attacco - Connection
8	Protezione - Protection

9	Termostato - Thermostat
10	Dado - Nut
11	Pressacavo - Cable gland
12	Vite - Screw
13	Vite - Screw
14	O-Ring - O-Ring
15	Rondella - Washer
16	Vite - Screw
17	Tappo - Screw cover



Dimensioni / Dimension	1"	1"1/4	1"1/2
PESO / WEIGHT (g)	2150	2450	2380

## Contaltri per gasolio

*Liter counters for Diesel oil*



**CO220**

Contaltri meccanico per la contabilizzazione del gasolio.

Di semplice e veloce installazione viene posizionato fra la pompa e l'ugello del bruciatore. Per non comprometterne la funzionalità, per garantirne la durata e per far sì che la misura rilevata sia attendibile si consiglia l'installazione di un filtro a maglia fine (del tipo previsto per le autovetture) così da trattenere le eventuali impurità contenute nel combustibile.

*Mechanical liter counter to measure Diesel oil.*

*It can be installed easily and quickly and is placed between pump and burner nozzle.*

*In order not to affect its operation performance, guarantee a long life and make sure the measured value is actually reliable, it is advisable to install a thin-net filter (same as those for motorcars) which may hold any foreign matters contained in fuel.*

**CE**

Portata nominale: 40lt/h

*Rated capacity: 40lt/h*

Portata massima: 80lt/h

*Max capacity: 80lt/h*

Portata minima: 0,7lt/h

*Min. pressure: 0,7lt/h*

Temperatura massima: 70°C

*Max. temperature: 70°C*

Attacchi: 1/8"

*Couplings: 1/8"*

Pressione massima: 25bar

*Max. pressure: 25bar*

Totalizzatore: 100m<sup>3</sup>

*Odometer: 100m<sup>3</sup>*

## Elettropompe a pistone oscillante

*Floating-piston motor pumps*



**P0150**



**P0141**

Pompa a pistone oscillante montata in custodia IP65 (P0150) IP65 (P0141) da utilizzare come pompa ausiliaria per bruciatore a gasolio o a kerosene. Non deve essere installato alcun tubo di ritorno. L'alimentazione elettrica viene collegata in parallelo con il bruciatore. Si consiglia l'installazione di un riduttore di pressione sul tubo di alimentazione del bruciatore. La pompa viene consegnata completa di filtro, flessibili di aspirazione e mandata per tubi in rame 6x8.

*Floating-piston motor pump placed in a case IP65 (P0150) IP65 (P0141) to be used as auxiliary pump for Diesel oil or Kerosene burners. No back-flow pipe is to be installed. Electric power is parallel connected to the burner. It is advisable to install a pressure reduction gear at the power feeding pipe of the burner. The pump is supplied fitted with filter, suction pipes and delivery pipe for copper pipes 6x8.*

**P0150**

**CE IP65**

Alimentazione: 230 Vac

*Power supply: 230 Vac*

Autonomia: 50h

*Autonomy: 50h*

**P0141**

**CE IP65**

Alimentazione: 230 Vac

*Power supply: 230 Vac*

Portata: 10 l/h con prevalenza 18m - 30 l/h con prevalenza 10m

*Flow: 10 l/h con prevalenza 18m - 30 l/h con prevalenza 10m*

Aspirazione: max 3 mt.

*Aspiration: max 3 mt.*



## Elettropompe rotative

*Rotary motor pumps*

### EL200

CE

Alimentazione: 230 Vac

Power supply: 230 Vac

Aspirazione: 3,5m monotubo / 6m due tubi

Suction: 3,5 m single pipe / 6 m two pipe

Portata: 60l/h

Flow: 60l/h

Protezione: Aspirazione 1/4" mandata 1/8"

Rating: Suction 1/4" delivery 1/8"



**EL200 – Delivery capacity 60 l/h**

**EL201 – Delivery capacity 100 l/h**

### EL201

CE

Alimentazione: 230 Vac

Power supply: 230 Vac

Aspirazione: 3,5m monotubo / 6m due tubi

Suction: 3,5 m single pipe / 6 m two pipe

Portata: 100l/h

Delivery capacity: 100l/h

Protezione: Aspirazione 1/4" mandata 1/8"

Rating: Suction 1/4" delivery 1/8"

Destinate all'alimentazione ausiliaria di bruciatori installati a grande distanza dalla cisterna combustibile. Esecuzione standard monotubo (uno di mandata ed uno di ritorno). Motore monofase 230 Vca/130 VA. 296/SE 195).

*They have been planned for auxiliary feeding of the burners installed at a big distance from the fuel tank. Standard model as single-pipe (a delivery pipe and a back one). Single-phase motor 230 Vca/130 VA. 296/SE 195).*

## Pump test

*Pump test*



**PU104**

PUMP test fornito in robusta valigetta metallica contenente un manometro, un vuotometro in glicerina (precisione K2 1,6% - UNI 8293), un rubinetto portamanometro ed una serie di raccordi da 1/4" NPT-M a 1/8" gas-F. Comprensivo inoltre di rubinetto portamanometro di ns produzione.

*PUMP test is contained in a strong metal case along with a manometer, a glycerine vacuum gauge (accuracy K2 1.6% - UNI 8293), a manometer holding cock and a number of fittings from 1/4" NPT-M to 1/8" gas-F. Also including a manometer holding valve from our production range.*



**GAS FILTERS**



**AUTOMATIC GAS VALVES**



**GAS GOVERNORS**



**GAS REGULATORS WITH SLAM SHUT VALVE INTEGRATED**

# gas train equipment

gas safety at its best



**RELIEF VALVES**



**PRESSURE GAUGES**



**GAS SOLENOID VALVES MANUAL RESET**



**BALL VALVES**





Our policy of continuous product improvement, the features and data shown are subject to change without notice. The images of the products and accessories are only indicative. Graphic colors of the products may differ from reality.

9584025



**FAG**  
Via E. Fermi, 98 | 25064 Gussago (BS) | ITALY  
Tel. +39 030 3730218  
Fax +39 030 3730228  
E-mail: [info@fagonline.com](mailto:info@fagonline.com)  
[www.fagonline.com](http://www.fagonline.com)



**GECA S.r.l.**  
Via E. Fermi, 98 | 25064 Gussago (BS) | ITALY  
Tel. +39 030 3730218  
Fax +39 030 3730228  
E-mail: [info@gecasrl.it](mailto:info@gecasrl.it)  
[www.gecasrl.it](http://www.gecasrl.it)



**Tecnocontrol S.r.l.**  
Via Miglioli, 47 | 20090 Segrate (MI) | ITALY  
Tel. +39 02 26922890  
Fax +39 02 2133734  
E-mail: [info@tecnocontrol.it](mailto:info@tecnocontrol.it)  
[www.tecnocontrol.it](http://www.tecnocontrol.it)



**CPF Industriale S.r.l.**  
Via E. Fermi, 98 | 25064 Gussago (BS) | ITALY  
Tel. +39 030 310461  
Fax +39 030 310465  
E-mail: [info@cpfindustriale.it](mailto:info@cpfindustriale.it)  
[www.cpfindustriale.it](http://www.cpfindustriale.it)