

# cimEMV311

## Thermoelectric actuators

**Cim EMV311** are On-Off compact electrothermic actuators that can be installed on radiator valves, fan coils valves and manifolds for heating/cooling systems.

### Main Characteristics:

- Fire retardant materials VO;
- Brass threaded locking ring M30x1.5;
- Normally closed (NC) – Normally opened (NO);
- Stroke: 4.5 mm;
- Class of protection: IP54;
- Power supply: 24V or 230V;
- Designed in accordance to:
  - CEI EN 60529:1997 + A1:2000
  - CEI EN 60204-1:2006
- Position indicator:
  - Black: Valve opened
  - Red: Valve closed



**cim EMV311**

**Cim EMV311/NO** - Normally Opened actuator - Available in two different voltages:

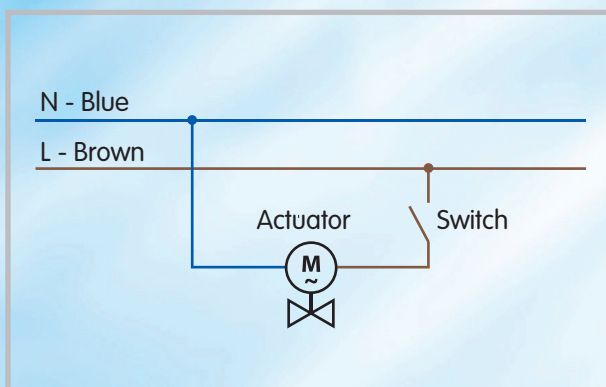
- 230 V AC
- 24 VAC

**Cim EMV311/NC** - Normally Closed actuator - Available in two different voltages:

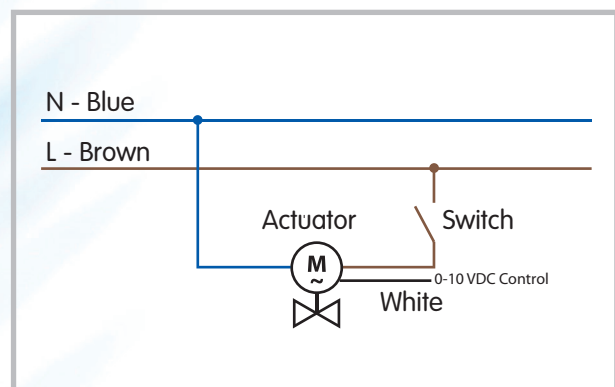
- 230 V AC
- 24 VAC

**Cim EMV311/PRO**- Normally Closed actuator - 0-10 VDC Proportional Control - 24 VAC - 30 s/mm

### Electric connection:



NO/NC Actuators



PROPORTIONAL Actuator

# cim EMV311

## Thermoelectric actuators

### Technical data:

Characteristic	Linear
Stroke	4.5 mm
Voltage	24-230 VAC (+10%/-15%)
Frequency	50-60 Hz
Operating power	2.5 W
Current peak	0.25 A x 30 sec (24 V) - 0.20 A x 0.5 sec (230 V)
Initial opening/closing time 230 V	80 sec
Final opening/closing time 230 V	3 min
Initial opening/closing time 24 V	3 min
Final opening/closing time 24 V	5 min
Degree of protection	IP54
Class of protection	II
Supply cable	H05V2V2-F
Environmental temperature	-5°C - +50°C
Stocking temperature	-20°C - +65°C
Nominal Force	160 N
Housing material	Fire retardant materials VO
Position indicator	Red (Closed) - Black (Opened)
Connection	M30x1.5

### Main dimensions:

