

# Float and thermostatic steam trap

Threaded connection  
Flange connection

Model 241-243  
Model 244



To extract saturated or super-heated medium or low pressure steam condensates.

Applicable to: steam piping, heat exchangers, plants with automatic temperature control, etc., in the chemical and petrochemical industries, etc.

## Specifications

- Operates with a float valve that opens to condensate accumulation and transports it. It also incorporates a thermostatic element that allows for the automatic elimination of air.
- Materials carefully selected for wear, temperature and corrosion resistance.
- Simple construction.
- Compact, robust. Reduced weight and size, which facilitate storage.
- Designed to select the suitable purger according to the requirements in each case and to avoid over-dimensioning. Without any doubt, this is the most versatile of the entire steam traps range for both small and large flow rates. Able to continually discharge high-pressure condensate.
- It evacuates at practically the steam temperature, which guarantees maximum heat transfer.
- Precise opening and closing, preventing steam losses.
- Simple installation. All models are supplied for horizontal installation and left-to-right pass flow. Simply by rotating the steam trap 180° in the same plane will invert the flow direction. On Model 241, modifying the body position with respect to the cover enables the steam trap to be adjusted for left-to-right, right-to-left or vertical descending flow.
- The ratings plate provides information on the service and installation conditions.
- Silent running.
- Insensitive to vibration, water hammers, reheated steam, corrosive condensate and icy conditions, etc.
- Back-pressure and condensate temperature variations do not affect it.
- Treated closing surfaces, which are grinded, lapped and burnished in order to achieve a degree of leak-tightness that even exceeds that required by EN 12266-1.
- All purgers are rigorously tested and verified.
- Each component is numbered, registered and monitored. If previously requested, all the certificates for materials, castings, tests and performances will come with the steam trap.

## IMPORTANT

On order:

- Fitted with steam anti-blocking device.
- Option for manufacturing in other materials for special working conditions (high temperatures, fluids, etc).
- Insulating jackets to prevent radiation losses caused mainly by inclement weather conditions.
- Special fitting for draining fluids in air or gas lines.



Model 241



Model 243

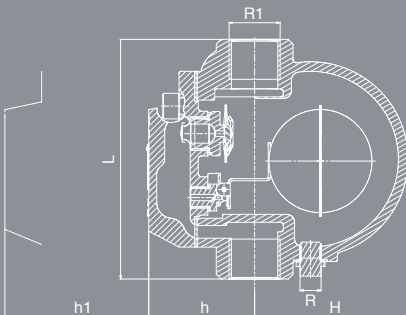


Model 244

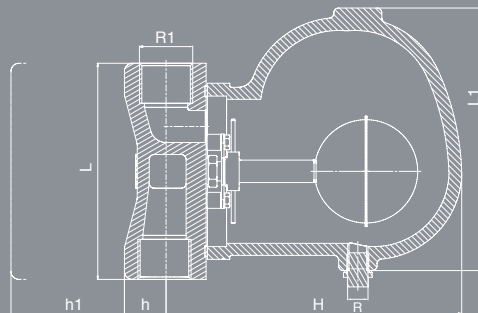
EN ASME/FNPT ASME/SW ASME/ANSI

| PIECE N°.          | PIECE                             | MATERIAL                    |                                        |              |
|--------------------|-----------------------------------|-----------------------------|----------------------------------------|--------------|
|                    |                                   | MODEL 241                   | MODEL 243                              | MODEL 244    |
|                    |                                   | CAST IRON                   | CARBON STEEL                           | CARBON STEEL |
| 1                  | Body                              | Cast iron (EN-5.1301)       | Carbon steel (EN-1.0619)               |              |
| 2                  | Cover                             | Cast iron (EN-5.1301)       | Carbon steel (EN-1.0619)               |              |
| 3,28               | Seal                              |                             | Klingerit-type cardboard               |              |
| 4                  | Screw                             |                             | Carbon steel (EN-1.1191)               |              |
| 5                  | Plate                             |                             | Stainless steel (EN-1.4301)            |              |
| 6                  | Rivet                             | Carbon steel (EN-1.1141)    |                                        |              |
| 7                  | Plug                              |                             | Carbon steel (EN-1.1181)               |              |
| 8,10,15            | Seal                              |                             | Copper                                 |              |
| 9                  | Pin                               | Carbon steel (EN-1.1141)    |                                        |              |
| 11                 | Aerator body                      |                             | Stainless steel (EN-1.4301)            |              |
| 12                 | Aerator base                      |                             | Stainless steel (EN-1.4301)            |              |
| 13                 | Aerator cover                     |                             | Stainless steel (EN-1.4301)            |              |
| 14                 | Safety ring                       |                             | Stainless steel (EN-1.4301)            |              |
| 16                 | Seating                           |                             | Stainless steel (EN-1.4028)            |              |
| 17                 | Spacer                            |                             | Stainless steel (EN-1.4301)            |              |
| 18,29              | Support                           |                             | Stainless steel (EN-1.4301)            |              |
| 19                 | Pin                               |                             | Stainless steel (EN-1.4301)            |              |
| 20,25,26,27        | Screw                             |                             | Stainless steel (EN-1.4301)            |              |
| 21                 | Spring                            | Stainless steel (EN-1.4301) |                                        |              |
| 22                 | Valve                             |                             | Stainless steel (EN-1.4028)            |              |
| 23                 | Arm                               |                             | Stainless steel (EN-1.4301)            |              |
| 24                 | Buoy                              |                             | Stainless steel (EN-1.4301)            |              |
| 30                 | Pin                               |                             | Stainless steel (EN-1.4301)            |              |
| 31                 | Elbow                             |                             | Stainless steel (EN-1.4028)            |              |
|                    | R1                                | 1/2" to 1" (GAS,NPT)        | 1/2" to 1", 1 1/2" and 2" (GAS,NPT,SW) |              |
|                    | DN                                |                             | 15 to 25,40 and 50 (EN,ANSI)           |              |
| SERVICE CONDITIONS | MAX. ACCEPTABLE PRESSURE IN bar   | 16                          | 16                                     |              |
|                    | MAX. ACCEPTABLE TEMPERATURE IN °C | 220                         | 220                                    |              |
|                    | MAX. SERVICE PRESSURE IN bar      | 14                          | 14                                     |              |
|                    | MAX. SERVICE TEMPERATURE IN °C    | 220                         | 220                                    |              |
|                    | MAX. BODY PRESSURE IN bar         |                             | 20                                     |              |
|                    | MAX. BODY TEMPERATURE IN °C       |                             | 426                                    |              |

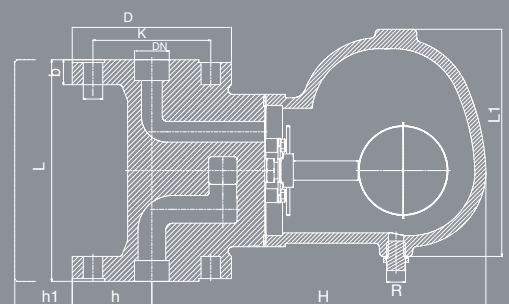
Mod. 241



Mod. 243

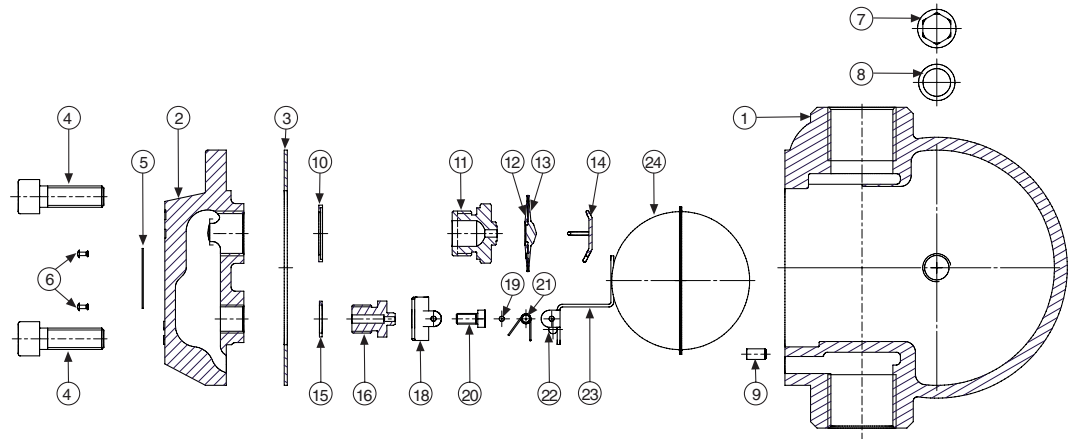


Mod. 244



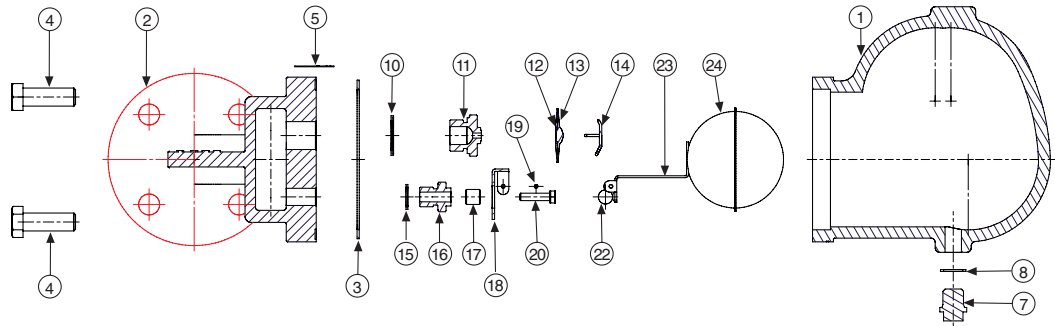
| MODEL          |     | 241                                                           |       |            | 243        |            |            |            |            |            |            |
|----------------|-----|---------------------------------------------------------------|-------|------------|------------|------------|------------|------------|------------|------------|------------|
| R1             |     | 1/2"                                                          | 3/4"  | 1"         | 1/2"       | 3/4"       | 1"         | 1 1/2"     | 2"         |            |            |
| CONNECTIONS    |     | Threaded female Gas Whitworth cylindrical ISO 228/1 (DIN-259) |       |            |            |            |            |            |            |            |            |
|                |     | NPT thread, ANSI/ASME B1.20.1                                 |       |            |            |            |            |            |            |            |            |
|                |     | Ends for welding SW ASME B16.11                               |       |            |            |            |            |            |            |            |            |
| H              |     | 84                                                            | 84    | 96         | 135        | 135        | 186        | 284        | 284        |            |            |
| h              |     | 58,00                                                         | 58,00 | 65,00      | 22,50      | 22,50      | 25,00      | 40,00      | 40,00      |            |            |
| h1             |     | 110                                                           | 110   | 110        | 100        | 100        | 135        | 225        | 225        |            |            |
| L              |     | 130                                                           | 135   | 150        | 100        | 120        | 135        | 250        | 250        |            |            |
| L1             |     | -                                                             | -     | -          | 104        | 104        | 164        | 270        | 270        |            |            |
| R              |     | 1/4"                                                          |       |            |            |            |            |            |            |            |            |
|                |     | Threaded female Gas Whitworth cylindrical ISO 228/1 (DIN-259) |       |            |            |            |            |            |            |            |            |
| WEIGHT IN kgs. |     | 3,30                                                          | 3,30  | 4,30       | 4,50       | 4,50       | 7,50       | 31,00      | 31,00      |            |            |
| CODE 2108 -    | GAS | MAXIMUM PRESSURE DIFFERENTIAL IN bar                          | 4,5   | 241.50261  | 241.53461  | 241.51061  | 243.50241  | 243.53441  | 243.51041  | 243.51241  | 243.52041  |
|                |     |                                                               | 10    | 241.50262  | 241.53462  | 241.51062  | 243.50242  | 243.53442  | 243.51042  | 243.51242  | 243.52042  |
|                |     |                                                               | 14    | 241.50263  | 241.53463  | 241.51063  | 243.50243  | 243.53443  | 243.51043  | 243.51243  | 243.52043  |
|                | NPT | MAXIMUM PRESSURE DIFFERENTIAL IN bar                          | 4,5   | 241.502611 | 241.534611 | 241.510611 | 243.502411 | 243.534411 | 243.510411 | 243.512411 | 243.520411 |
|                |     |                                                               | 10    | 241.502621 | 241.534621 | 241.510621 | 243.502421 | 243.534421 | 243.510421 | 243.512421 | 243.520421 |
|                |     |                                                               | 14    | 241.502631 | 241.534631 | 241.510631 | 243.502431 | 243.534431 | 243.510431 | 243.512431 | 243.520431 |
|                | SW  | MAXIMUM PRESSURE DIFFERENTIAL IN bar                          | 4,5   |            |            |            | 243.502412 | 243.534412 | 243.510412 | 243.512412 | 243.520412 |
|                |     |                                                               | 10    |            |            |            | 243.502422 | 243.534422 | 243.510422 | 243.512422 | 243.520422 |
|                |     |                                                               | 14    |            |            |            | 243.502432 | 243.534432 | 243.510432 | 243.512432 | 243.520432 |

Mod. 241 1/2", 3/4" and 1"



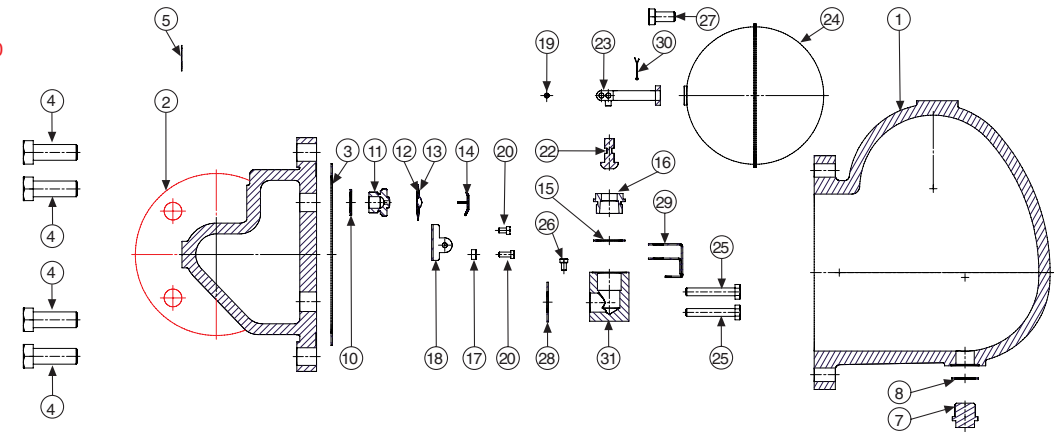
Mod. 243 1/2", 3/4" and 1"

Mod. 244 DN 15,  
DN 20 and DN 25



Mod. 243 1 1/2" and 2"

Mod. 244 DN 40 and DN 50



| MODEL                 |         | 244                                                           |                                      |            |            |            |            |            |            |       |        |       |        |        |        |        |   |  |  |
|-----------------------|---------|---------------------------------------------------------------|--------------------------------------|------------|------------|------------|------------|------------|------------|-------|--------|-------|--------|--------|--------|--------|---|--|--|
| DN                    |         | 15                                                            |                                      |            | 20         |            |            | 25         |            |       | 40     |       |        | 50     |        |        |   |  |  |
| CONNECTIONS           |         | I - Flanges PN-40 EN-1092-1                                   |                                      |            |            |            |            |            |            |       |        |       |        |        |        |        |   |  |  |
|                       |         | II - Flanges class 150 lbs ASME/ANSI B 16.5                   |                                      |            |            |            |            |            |            |       |        |       |        |        |        |        |   |  |  |
|                       |         | III - Flanges class 300 lbs ASME/ANSI B 16.5                  |                                      |            |            |            |            |            |            |       |        |       |        |        |        |        |   |  |  |
|                       |         | I                                                             | II                                   | III        | I          | II         | III        | I          | II         | III   | I      | II    | III    | I      | II     | III    |   |  |  |
| H                     |         | 135                                                           |                                      |            |            |            |            | 241        |            |       |        |       |        | 343    |        |        |   |  |  |
| h                     |         | 47,50                                                         | 45,00                                | 47,50      | 52,50      | 50,00      | 57,50      | 57,50      | 55,00      | 62,50 | 75,00  | 62,50 | 75,00  | 82,50  | 77,50  | 82,50  |   |  |  |
| h <sub>1</sub>        |         | 110                                                           |                                      |            |            |            |            | 150        |            |       |        |       |        | 230    |        |        |   |  |  |
| L                     |         | 150                                                           |                                      |            |            |            |            | 160        |            |       |        |       |        | 230    |        |        |   |  |  |
| L <sub>1</sub>        |         | 104                                                           |                                      |            |            |            |            | 164        |            |       |        |       |        | 270    |        |        |   |  |  |
| D                     |         | 95                                                            | 90                                   | 95         | 105        | 100        | 115        | 115        | 110        | 125   | 150    | 150   | 150    | 165    | 155    | 165    |   |  |  |
| K                     |         | 65,00                                                         | 60,30                                | 66,70      | 75,00      | 69,90      | 82,60      | 85,00      | 79,40      | 88,90 | 110,00 | 98,40 | 120,70 | 125,00 | 114,30 | 127,00 |   |  |  |
| l                     |         | 14,00                                                         | 15,90                                | 15,90      | 14,00      | 15,90      | 19,10      | 14,00      | 15,90      | 19,10 | 18,00  | 15,90 | 19,10  | 18,00  | 22,20  | 19,10  |   |  |  |
| b                     |         | 16,00                                                         | 11,60                                | 14,70      | 18,00      | 13,20      | 16,30      | 18,00      | 14,70      | 17,90 | 18,00  | 17,90 | 21,10  | 18,00  | 19,50  | 22,70  |   |  |  |
| NUMBER OF DRILL HOLES |         | 4                                                             |                                      |            | 4          |            |            | 4          |            |       | 4      |       |        | 4      |        |        | 8 |  |  |
| R                     |         | 1/4"                                                          |                                      |            |            |            |            |            |            |       |        |       |        |        |        |        |   |  |  |
|                       |         | Threaded female Gas Whitworth cylindrical ISO 228/1 (DIN-259) |                                      |            |            |            |            |            |            |       |        |       |        |        |        |        |   |  |  |
| WEIGHT IN gs.         |         | 5,65                                                          |                                      |            | 6,15       |            |            | 12,00      |            |       | 35,00  |       |        | 35,00  |        |        |   |  |  |
| CODE 2108 -           | FLANGE  | PN-16                                                         | MAXIMUM PRESSURE DIFFERENTIAL IN bar | 4,5        | 244.50241  | 244.53441  | 244.51041  | 244.51241  | 244.52041  |       |        |       |        |        |        |        |   |  |  |
|                       |         |                                                               |                                      | 10         | 244.50242  | 244.53442  | 244.51042  | 244.51242  | 244.52042  |       |        |       |        |        |        |        |   |  |  |
|                       |         |                                                               |                                      | 14         | 244.50243  | 244.53443  | 244.51043  | 244.51243  | 244.52043  |       |        |       |        |        |        |        |   |  |  |
|                       |         | 150 lbs                                                       |                                      | 4,5        | 244.502411 | 244.534411 | 244.510411 | 244.512411 | 244.520411 |       |        |       |        |        |        |        |   |  |  |
|                       |         |                                                               |                                      | 10         | 244.502421 | 244.534421 | 244.510421 | 244.512421 | 244.520421 |       |        |       |        |        |        |        |   |  |  |
|                       |         |                                                               |                                      | 14         | 244.502431 | 244.534431 | 244.510431 | 244.512431 | 244.520431 |       |        |       |        |        |        |        |   |  |  |
|                       | 300 lbs | 4,5                                                           | 244.502412                           | 244.534412 | 244.510412 | 244.512412 | 244.520412 |            |            |       |        |       |        |        |        |        |   |  |  |
|                       |         | 10                                                            | 244.502422                           | 244.534422 | 244.510422 | 244.512422 | 244.520422 |            |            |       |        |       |        |        |        |        |   |  |  |
|                       |         | 14                                                            | 244.502432                           | 244.534432 | 244.510432 | 244.512432 | 244.520432 |            |            |       |        |       |        |        |        |        |   |  |  |





DISCHARGE CAPACITIES IN kg/h

| MODEL   | MAXIMUM PRESSURE DIFFERENTIAL IN bar | R1        | DN    | PRESSURE DIFFERENTIAL IN bar |      |      |      |      |      |      |      |      |      |      |      |      |      |      |      |      |
|---------|--------------------------------------|-----------|-------|------------------------------|------|------|------|------|------|------|------|------|------|------|------|------|------|------|------|------|
|         |                                      |           |       | 0,5                          | 1    | 1,5  | 2    | 3    | 4    | 4,5  | 5    | 6    | 7    | 8    | 9    | 10   | 11   | 12   | 13   | 14   |
| 241     | 4,5                                  | 1/2"-3/4" |       | 200                          | 280  | 320  | 350  | 400  | 454  | 495  |      |      |      |      |      |      |      |      |      |      |
|         | 4,5                                  | 1"        |       | 530                          | 700  | 750  | 879  | 1019 | 1099 | 1229 |      |      |      |      |      |      |      |      |      |      |
|         | 10                                   | 1/2"-3/4" |       | 135                          | 150  | 165  | 180  | 210  | 241  | 255  | 280  | 300  | 350  | 391  | 405  | 420  |      |      |      |      |
|         | 10                                   | 1"        |       | 230                          | 320  | 370  | 420  | 510  | 570  | 600  | 640  | 680  | 710  | 760  | 800  | 820  |      |      |      |      |
|         | 14                                   | 1/2"-3/4" |       | 125                          | 140  | 150  | 165  | 190  | 221  | 230  | 246  | 271  | 296  | 325  | 350  | 375  | 404  | 430  | 454  | 482  |
|         | 14                                   | 1"        |       | 130                          | 160  | 180  | 220  | 260  | 300  | 320  | 330  | 360  | 380  | 400  | 430  | 450  | 460  | 475  | 490  | 510  |
| 243-244 | 4,5                                  | 1/2"-3/4" | 15-20 | 200                          | 280  | 320  | 350  | 400  | 454  | 495  |      |      |      |      |      |      |      |      |      |      |
|         | 4,5                                  | 1"        | 25    | 840                          | 945  | 1049 | 1155 | 1358 | 1569 | 1673 |      |      |      |      |      |      |      |      |      |      |
|         | 4,5                                  | 1 1/2"-2" | 40-50 | 3022                         | 3272 | 3521 | 3787 | 4295 | 4795 | 5056 |      |      |      |      |      |      |      |      |      |      |
|         | 10                                   | 1/2"-3/4" | 15-20 | 135                          | 150  | 165  | 180  | 210  | 241  | 255  | 280  | 300  | 350  | 391  | 405  | 420  |      |      |      |      |
|         | 10                                   | 1"        | 25    | 604                          | 654  | 710  | 760  | 870  | 974  | 1024 | 1079 | 1185 | 1290 | 1394 | 1499 | 1603 |      |      |      |      |
|         | 10                                   | 1 1/2"-2" | 40-50 | 2234                         | 2684 | 2847 | 2920 | 3097 | 3337 | 3417 | 3526 | 3700 | 4030 | 4404 | 4790 | 5119 |      |      |      |      |
|         | 14                                   | 1/2"-3/4" | 15-20 | 125                          | 140  | 150  | 165  | 190  | 221  | 230  | 246  | 271  | 296  | 325  | 350  | 375  | 404  | 430  | 454  | 482  |
|         | 14                                   | 1"        | 25    | 425                          | 454  | 480  | 510  | 565  | 620  | 645  | 675  | 730  | 785  | 839  | 895  | 949  | 1004 | 1064 | 1120 | 1174 |
|         | 14                                   | 1 1/2"-2" | 40-50 | 1944                         | 2268 | 2538 | 2777 | 2972 | 3097 | 3176 | 3251 | 3367 | 3620 | 3887 | 4125 | 4366 | 4586 | 4795 | 4994 | 5190 |

Installation options

