

Automatic gas valve - Brass Body

» Automatic gas solenoid valves are used for safety and control of gas for shut-off in gas feed pipes. Suitable for various gasses, including Natural gas, Propane and LPG Gas solenoid valve normally closed solenoid that open automatically when the coil is powered and close automatically when there is no tension.

Automatic gas valve - Brass Body

AUTOMATIC GAS SOLENOID VALVE 1/2", 3/4"
BRASS BODY - PMAX 200 MBAR

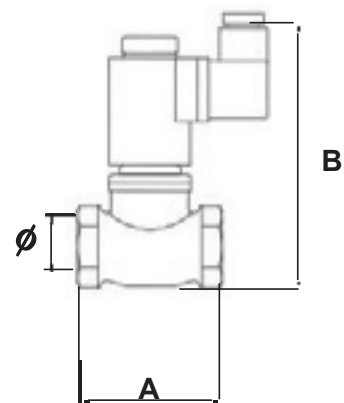
p. 76

Automatic gas solenoid valve 1/2", 3/4" - Brass Body - pmax 200 mbar



Type	Connections	Flow (m³/h)	Max pressure
AV015	1/2"	4,5	200 mbar
AV020	3/4"	6	200 mbar

DIMENSIONS (mm) and WEIGHT (kgs)			
Dimension	A	B	Ø
AV015	59	107	DN15 - 1/2"
AV020	59	107	DN20 - 3/4"



Dimension	1/2"	3/4"
WEIGHT (kgs)	0,8	0,8

TECHNICAL FEATURES

Pmax	200 mbar
Inlet connection - outlet	Thread gas 1/2" 3/4" and 1" - ISO 228
Opening time	<1 second
Closing time	<1 second
Max number of operations	30 per minute
Supply voltage	230V (-15%+10%) 50-60Hz 110V (-15%+10%) 50-60Hz 24Vdc (-15%+10%) 50-60Hz
Power	15 VA Coils to class F copper wire class H
Use	Non - aggressive gases - Family 1 - 2 - 3 and air
Working Temperature	- 20 °C - 60 °C
Approval	EN161
Protection degree	IP65
Materials:	
Complete Body	Brass ST-CW617N - EN 12420 - Yellow Painted

