

MODEL T700



BIDIRECTIONAL KNIFE GATE VALVE

The model 700 is a monoblock body design full bore bidirectional shut off valve, offering a zero leakage shut off up to 10 bar to size DN250. Available in wafer and lug versions.

Application fields such as:

- Water & wastewater treatment plants
- Powerplants
- Chemical industry
- Mining
- Biomass
- Paper pulp
- Bulk handling

Sizes: DN 50 to DN 250

Working pressure: DN 50 to DN 250: 10 kg/cm²

Standard flange connection: EN1092 PN 10/16 (others on request)

Directives:

- 2006/42/EC (machines)
- 2014/68/EU (PED). Fluid: Group 1(b), 2 (Cat. I. mod. A)
- 2014/34/EU (ATEX) (contact sales department)

* RAL 5015 blue coating on cast iron and carbon steel components.

* Higher pressure conditions, please check with the manufacturer.

* All valves are tested according to UNE-EN 12266-1.

DESIGN FEATURES

Main features:

- Short FTF dimensions as per manufacturer standard. Other standards such as DIN3202 K1 and MSS-SP-81 under demand.
- 100% full bore valve, water tight in both directions.

Body:

- One piece monoblock body design.
- Special seal housing and design avoiding any build-up.

Gate

- Stainless steel both sides polished gate to avoid seat damaging and lengthening packing durability.

Seat:

- U-profile perimeter resilient seat with internal reinforced steel core to increase durability.
- EPDM & NBR as standard, other qualities under demand.

Internal guides:

- Internal gate guides provide support through the entire range of travel eliminating both lateral movement and deflection. Additionally, they scrape & clean the knife so no fluid reach the surrounding environment.

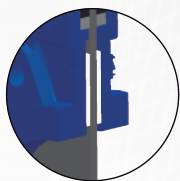
· The valve is manufactured with different actuators such as:

Manual (handwheel, gear box, lever, chainwheel), pneumatic (single and double acting), electric, hydraulic.

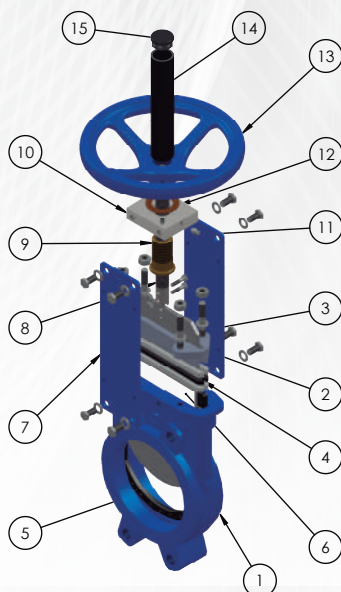
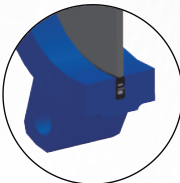
· Accessories: limit & inductive switches, locking devices, solenoid valves, positioners and stem extensions.

STANDARD PARTS LIST

Internal guides detail:



Seat detail:



Item	Part	Standard material
1	Body	GJL250 (GG25), RAL 5015 coated
2	Packing gland	Aluminium
3	Gate	AISI304L (1.4307) // AISI316L (1.4404)
4	Packing	Synt+PTFE and EPDM / NBR o-ring
5	Seat	EPDM / NBR
6	Internal guides	Cestilene HD1000
7	Support plates	Carbon steel, RAL 5015 coated
8	Stem	AISI303 (1.4305)
9	Manouvering nut	Brass
10	Support bridge	Steel, Zinc coated
11	Oiling greaser	Standard
12	Washer	Brass
13	Handwheel	GJL250 (GG25), RAL 5015 coated
14	Stem protection tube	Steel
15	Stem protection cover	Plastic
	Bolting	A2

RVO - 03/2018

Zubi Reserves the right to change specifications without notice.

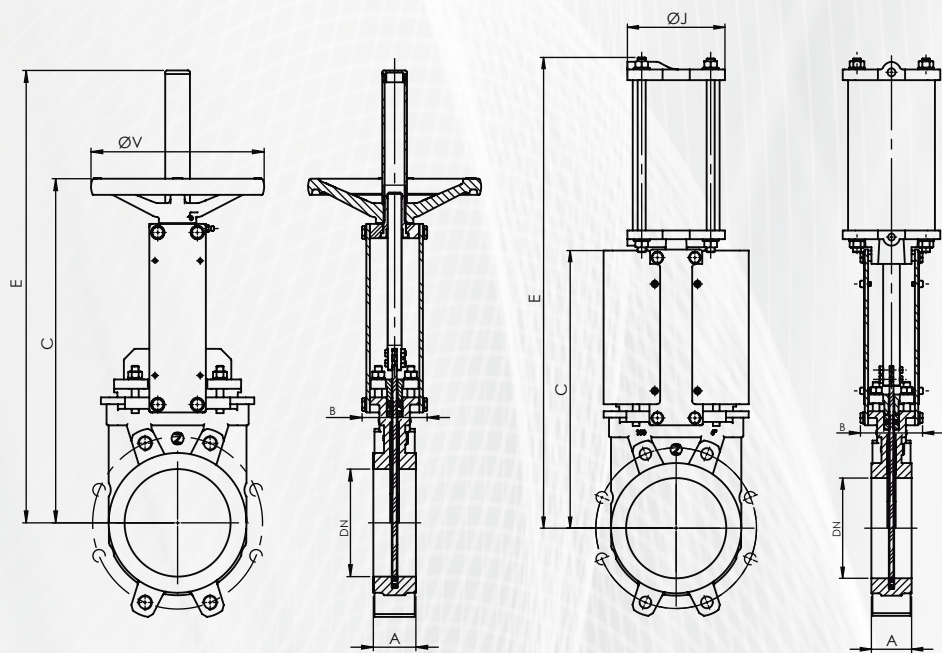
C/Hilanderas, 5 - Bajo | IRÚN | Guipúzcoa [Spain] · Tel: (+34) 943 63 52 71 · E-mail: zubi@valvulaszubi.com

MODEL

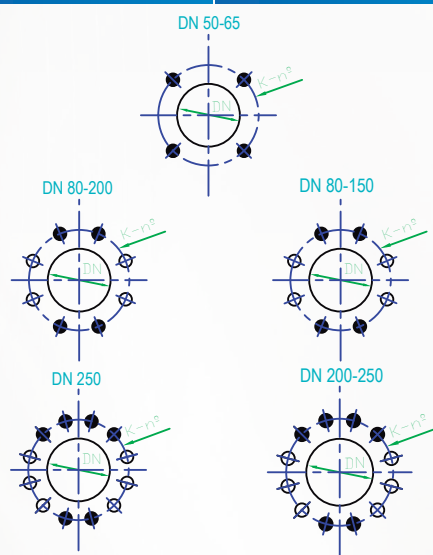
T700



GENERAL DIMENSIONS



FLANGES DETAIL



DN	INCHES	A	B	C	D	E	ØV	ØJ	Std. CylinderØ	Weight /kg	
										Manual	Pneumatic
50	2"	40	90	285	399	410	200	102	80	8	8
65	2 1/2"	40	90	310	426	456	200	102	80	9	9
80	3"	50	90	336	451	500	200	102	80	10	10
100	4"	50	90	382	497	560	200	122	100	12	13
125	5"	50	100	430	636	640	250	147	125	15	16
150	6"	60	100	480	686	716	250	147	125	20	22
200	8"	60	120	605	879	880	300	182	160	30	35
250	10"	70	120	697	1021	1042	300	229	200	45	52

DN	INCHES	ØK	P	No	● ○		
					●	○	
PN10	50	2"	125	M16	4	4	-
	65	2 1/2"	145	M16	4	4	-
	80	3"	160	M16	8	4	4
	100	4"	180	M16	8	4	4
	125	5"	210	M16	8	4	4
	150	6"	240	M20	8	4	4
	200	8"	295	M20	8	4	4
	250	10"	350	M20	12	6	6

DN	INCHES	ØK	P	No	● ○		
					●	○	
PN16	50	2"	125	M16	4	4	-
	65	2 1/2"	145	M16	4	4	-
	80	3"	160	M16	8	4	4
	100	4"	180	M16	8	4	4
	125	5"	210	M16	8	4	4
	150	6"	240	M20	8	4	4
	200	8"	295	M20	12	6	6
	250	10"	355	M24	12	6	6

Zubi Reserves the right to change specifications without notice.

C/Hilanderas, 5 - Bajó | IRÚN | Guipúzcoa [Spain] · Tel: (+34) 943 63 52 71 E-mail: zubi@valvulaszubi.com

www.valvulaszubi.com

RVO - 03/2018