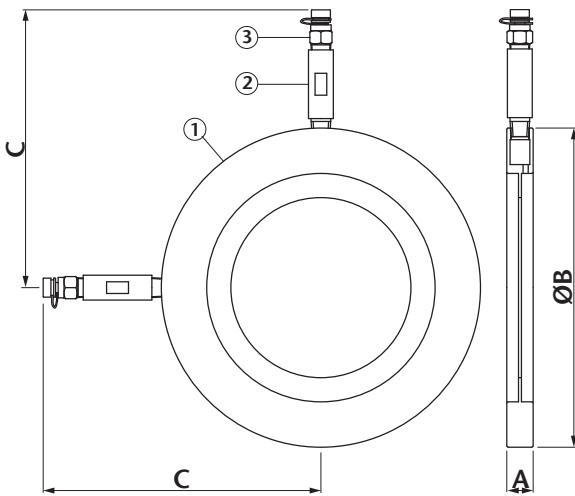


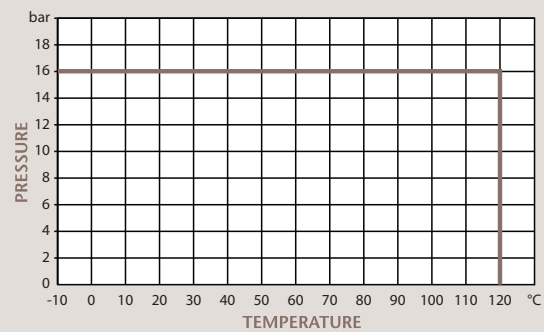
## PN16 Stainless Steel Metering Station

### Features

- Wafer pattern
- Fits between BS EN1092 flanges PN16
- Flow characteristic confirmed to BS 7350
- Fixed orifice with  $\pm 5\%$  flow measurement accuracy
- Can be close coupled to a double regulating valve
- Supplied with 2 extensions and test points



### Pressure/Temperature



DN	50	65	80	100	125	150	200	250	300
A	20	20	20	20	20	20	20	20	20
B	108	125	144	164	194	220	275	333	385
C	136	145	154	164	179	192	219	248	304
Kgs	1.400	1.900	2.200	2.400	3.100	3.400	4.700	6.000	8.000

### Technical Data

Max Pressure	16 Bar
Working Temperature	-10°C to +120°C

N.	Part Name	Materials
1	Body	304 Stainless Steel
2	Extension	304 Stainless Steel
3	Pressure Test Point	Brass

Dimensions in mm

This data sheet is designed as a guide and should not be regarded as wholly accurate in every detail. We reserve the right to amend the specification of any product without notice.