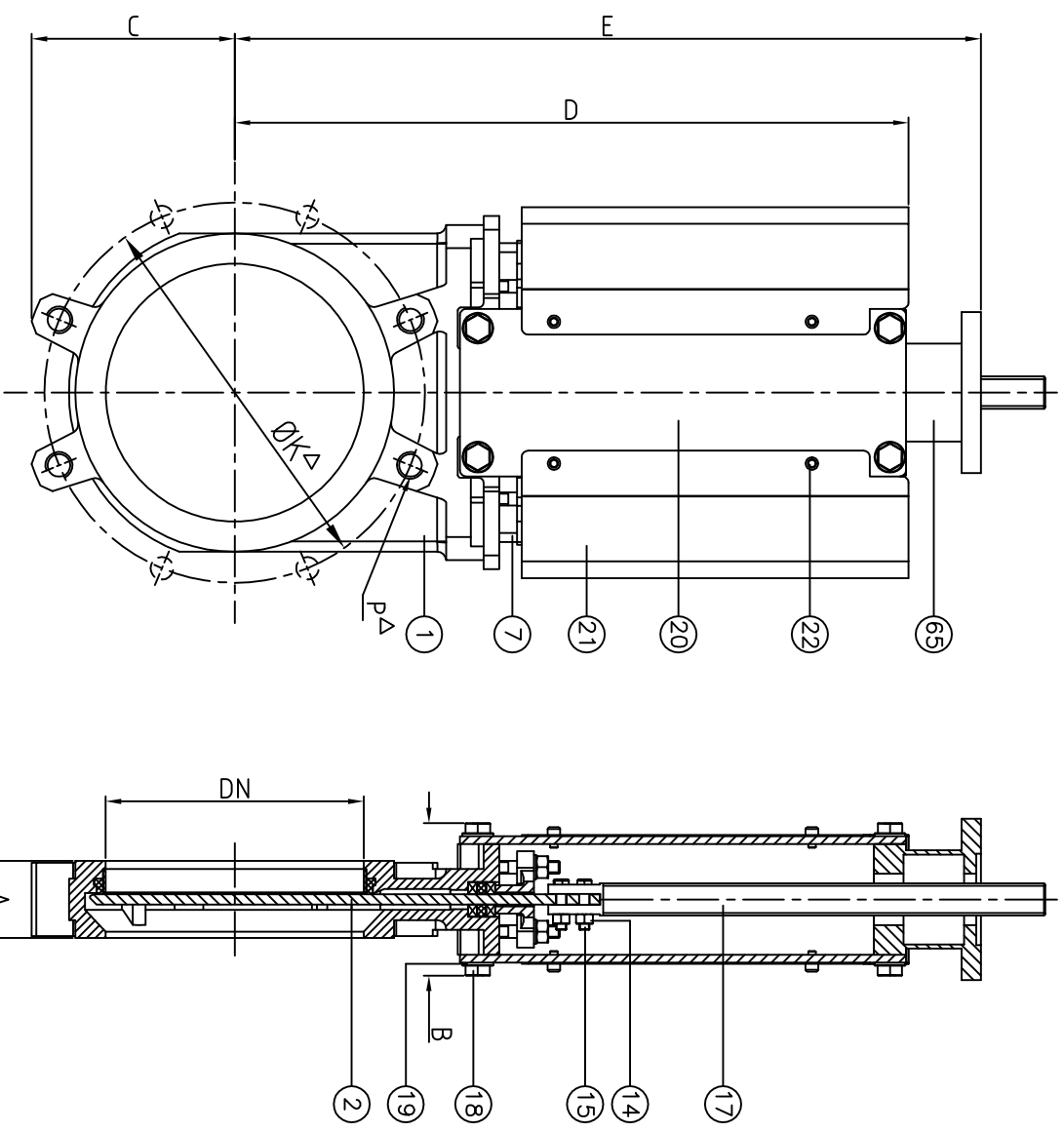


△ Flanges drilled according to EN 1092-2 and DIN 2501:ISO PN10
(for further information please contact us)

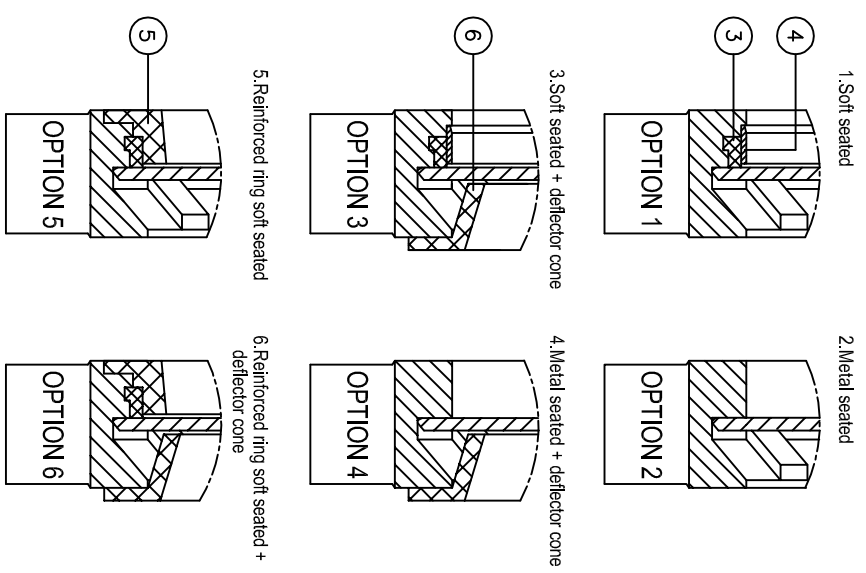
Maximum working design pressure:	Standard testing pressure (EN 12266-1):
DN50-DN250: 10Bar	DN50-DN250: 11Bar
DN300-DN400: 6Bar	DN300-DN400: 6,6Bar
DN450-DN600: 4Bar	DN450-DN600: 4,4Bar



DN*	INCHES	A	B	C	D	E	TORQUE ¹ (Nm)	STEM	Coupling	WEIGHT(Kg)
50	2"	40	90	60	240	293	6	Tr20x4 left	ISO/F.10 A	7,5
65	2 1/2"	40	90	68	267	320	8	Tr20x4 left	ISO/F.10 A	8,5
80	3"	50	90	90	292	345	10	Tr20x4 left	ISO/F.10 A	10
100	4"	50	90	105	338	391	12	Tr20x4 left	ISO/F.10 A	11,5
125	5"	50	100	118	367	420	20	Tr20x4 left	ISO/F.10 A	15
150	6"	60	100	135	417	470	25	Tr20x4 left	ISO/F.10 A	19
200	8"	60	120	170	525	580	40	Tr25x5 left	ISO/F.10 A	31,5
250	10"	70	120	202	622	677	50	Tr25x5 left	ISO/F.10 A	44
300	12"	70	120	240	722	777	60	Tr25x5 left	ISO/F.10 A	57
350	14"	96	192	255	841	920	70	Tr35x6 left	ISO/F.10 A	107
400	16"	100	192	295	945	1024	90	Tr35x6 left	ISO/F.10 A	132
450	18"	106	192	318	1032	1111	100	Tr35x6 left	ISO/F.10 A	160
500	20"	110	192	345	1145	1224	110	Tr35x6 left	ISO/F.10 A	180
600	24"	110	290	405	1345	1424	150	Tr35x6 left	ISO/F.14 A	292

¹Torque figures given with clean water and ambient temperature conditions

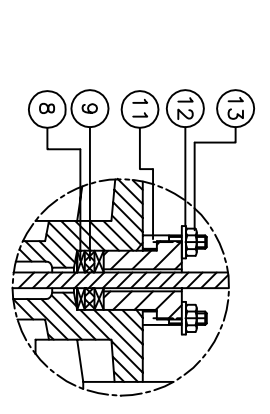
SEAT OPTIONS:



*Other dimensions/materials on request

65	Adaptation support bridge	Steel	Steel	1
22	Protection's bolts	A2	A2	8
21	Protection guard	AISI304L	AISI304L	2
20	Support plate	Steel	Steel	2
19	Washer	A2	A2	-
18	Bolt	A2	A2	-
17	Stem	AISI303	AISI303	1
15	Union bolt spindle-gate	A2	A2	2
14	Union nut spindle-gate	A2	A2	2
13	Nut	A2	A2	-
12	Washer	A2	A2	-
11	Stud	A2	A2	-
9	Packing o' ring	EPDM/NBR*	EPDM/NBR*	-
8	Packing	SYNT+PTFE*	SYNT+PTFE*	-
7	Packing gland	Aluminium*	CF8M (AISI316)*	1
6	Deflector cone 15°	CF8M (AISI316)*	CF8M (AISI316)*	-
5	Reinforced ring 8°	CF8 (AISI304)*	CF8M (AISI316)*	-
4	Sealing ring	AISI316/304	AISI316	-
3	Seat	EPDM/NBR*	EPDM/NBR*	-
2	Gate	AISI304L*	AISI316L*	1
1	Body	Cast iron G/L-250 G625*	CF8M (AISI316)*	1

PACKING DETAIL:



Denomination		Drawing No.		Model	Sheet
KNIFE GATE VALVE, T200 EE - ADAPTED FOR ELECTRIC ISO		COM0013		T200	1/1
Rev	Modification	Date	Name	Version	Paper size
1				Commercial	A3
2	Traced by	24/01/2019	O.D.V.	Quantity	Scale
3	Approved by	24/01/2019	J.S.H.	-	-
4					



Note: No product guarantee given when actuators fitted by 3rd companies.
Max. 45rpm for actuators fitted to this design of valve.