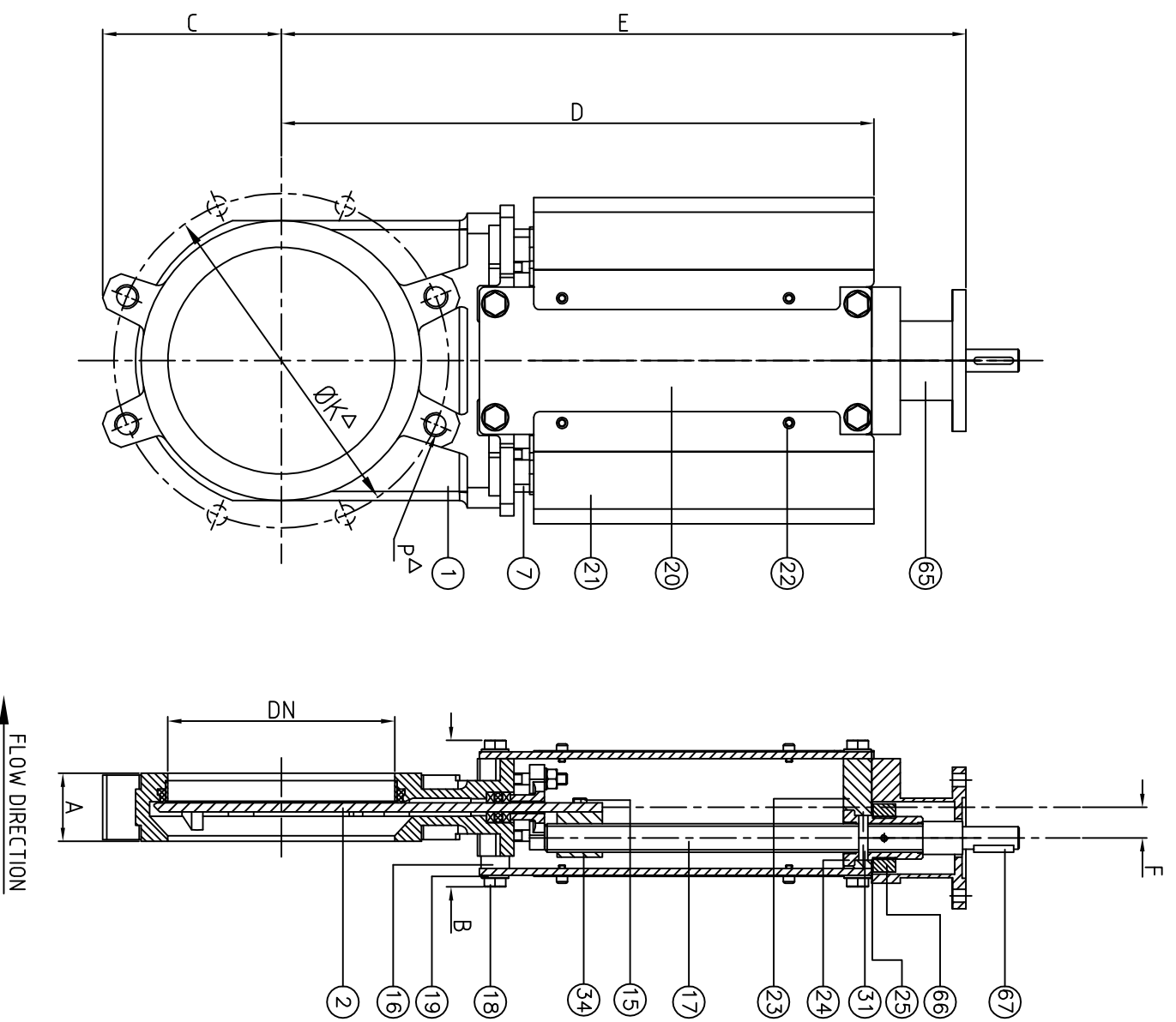


Δ Flanges drilled according to EN 1092-2 and DIN 2501:ISO PN10
(for further information please contact us)

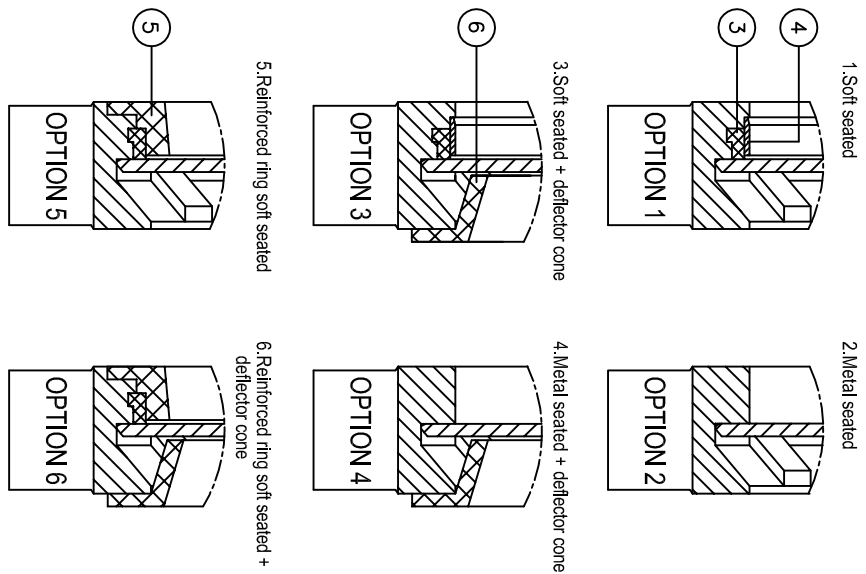
Maximum working design pressure:	Standard testing pressure (EN 12266-1):
DN50-DN250: 10Bar	DN50-DN250: 11Bar
DN300-DN400: 6Bar	DN300-DN400: 6,6Bar
DN450-DN600: 4Bar	DN450-DN600: 4,4Bar

DN*	INCHES	A	B	C	D	E	F	TORQUE ¹ (Nm)	Coupling	WEIGHT(Kg)
50	2"	40	97	60	240	316	15,5	6	ISO/F.10 B3	8,5
65	2 1/2"	40	97	68	267	343	15,5	8	ISO/F.10 B3	9,5
80	3"	50	97	90	292	368	15,5	10	ISO/F.10 B3	11
100	4"	50	97	105	338	414	15,5	12	ISO/F.10 B3	15,5
125	5"	50	107	118	367	443	20	20	ISO/F.10 B3	16
150	6"	60	107	135	417	493	20	25	ISO/F.10 B3	20
200	8"	60	131	170	525	608	27	40	ISO/F.10 B3	33
250	10"	70	131	202	622	705	27	50	ISO/F.10 B3	45,5
300	12"	70	131	240	722	805	28	60	ISO/F.10 B3	58,5
350	14"	96	192	255	841	942	32	70	ISO/F.10 B3	109
400	16"	100	192	295	945	1046	33	90	ISO/F.10 B3	134
450	18"	106	192	318	1032	1133	33	100	ISO/F.10 B3	163
500	20"	110	192	345	1145	1246	33	110	ISO/F.10 B3	183
600	24"	110	290	405	1345	1449	34,5	150	ISO/F.14 B3	293

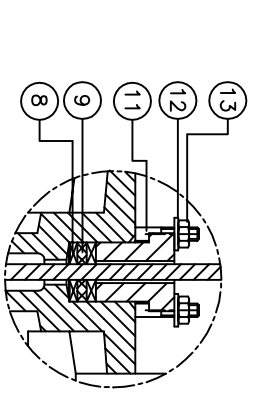
¹Torque figures given with clean water and ambient temperature conditions



SEAT OPTIONS:



PACKING DETAIL:



*Other dimensions/materials on request

67	Key	Steel	Steel	1
66	Fixing nut	AISI303	AISI303	1
65	Adaptation support bridge	Steel	Steel	1
56	Bolt	A2	A2	-
34	Stem drive socket	Bronze	Bronze	1
31	Pin	A2	A2	-
25	Washer	Brass	Brass	1
24	Maneuvering nut	Brass	Brass	1
23	Support bridge	Steel	Steel	1
22	Protection's bolts	A2	A2	-
21	Protection guard	AISI304L	AISI304L	2
20	Support plate	Steel	Steel	2
19	Washer	A2	A2	-
18	Bolt	A2	A2	-
17	Spindle	AISI304	AISI304	1
16	Displacement washer	A2	A2	2
15	Union bolt spindle-gate	A2	A2	2
13	Nut	A2	A2	-
12	Washer	A2	A2	-
11	Stud	A2	A2	-
9	Packing o'ring	EPDM/NBR*	EPDM/NBR*	-
8	Packing	SYNT+PTFE*	SYNT+PTFE*	-
7	Packing gland	Aluminium*	CF8M (AISI316)*	1
6	Deflector cone 15°	CF8M (AISI316)*	CF8M (AISI316)*	-
5	Reinforced ring 8°	CF8 (AISI304)*	CF8M (AISI316)*	-
4	Sealing ring	AISI316/304	AISI316	-
3	Seat	EPDM/NBR*	EPDM/NBR*	-
2	Gate	AISI304L*	AISI316L*	1
1	Body	Cast iron GJL-250 G625*	CF8M (AISI316)*	1

Denomination		Drawing No.		Model	Sheet
KNIFE GATE VALVE, T200 EE - ADAPTED FOR ELECTRIC ISO B3		COM0014		T200	1/1
Rev	Modification	Date	Name	Version	Paper size
1				Commercial	A3
2		Traced by	24/01/2019	O.D.V.	Scale
3		Approved by	24/01/2019	J.S.H.	
4					

Note: No product guarantee given when actuators fitted by 3rd companies.
Max. 45rpm for actuators fitted to this design of valve.

