

Heatguard® Dual TMV2/3 Thermostatic Mixing Valve

Thermostatically blends hot and cold water to a safe outlet temperature (TMV2 & TMV3 approved for public and healthcare sectors)

Overview

Reliance Valves Heatguard Dual TMV2/3 Thermostatic Mixing Valve is TMV2 and TMV3 approved for basin, bidets, showers and high-pressure bath fill applications. Fast and simple to install, the valve blends hot and cold water to a constant and safe outlet temperature to prevent scalding.

Water is commonly stored at high temperatures to prevent Legionella. To protect end users from accidental injuries, the Heatguard Dual mixes hot and cold water at the point of discharge to a safer and cooler temperature. If the cold water supply fails, the valve automatically shuts off the hot water to prevent unsafe temperatures from reaching the outlet.

Fully compliant with the NHS model engineering specification code D08 and BSEN 1111, Heatguard Dual is the ideal choice for environments where user protection is a priority.

There are two options available: the 2-in-1 valve comes complete with strainers on both inlets and check valves, whereas the 4-in-1 also includes test ports and isolation valves.



Features & benefits

- Approved for the healthcare (TMV3) and public sector (TMV2)
- Temperature adjustment tool in the valve cap for easier maintenance
- Large outlet port allows faster response in failsafe shutdown mode
- Works in larger systems with up to 10:1 pressure differences between the hot and cold water supplies, exceeding the industry standard of 5:1
- Features Viton seals instead of EPDM to significantly improve performance at higher temperatures
- Suitable for shower, bath, basin and bidet hot water applications
- Compatible with copper pipe only

Standards & approvals

WRAS Approved

Complies with BS EN 1111, BS 7942, NHS MES D08

TMV2 and TMV3 approved



Materials

Body	DZR brass, nickel plated
Internal components	DZR brass
Seals	Viton
Spring	Stainless steel
Strainer	Stainless steel

Product code	Description	Size
HEATT10614	Heatguard Dual 2in1	15mm
HEATT10624	Heatguard Dual 2in1	22mm
HEATT10616	Heatguard Dual 4in1	15mm
HEATT10625	Heatguard Dual 4in1	22mm

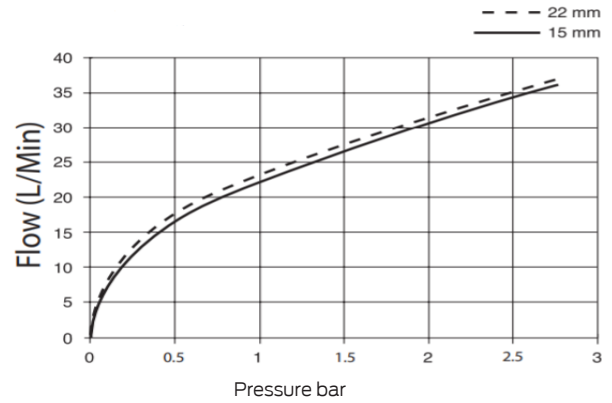


Heatguard® Dual TMV2/3 Thermostatic Mixing Valve

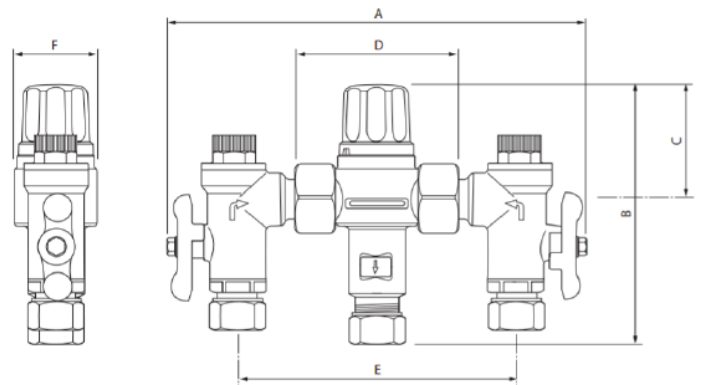
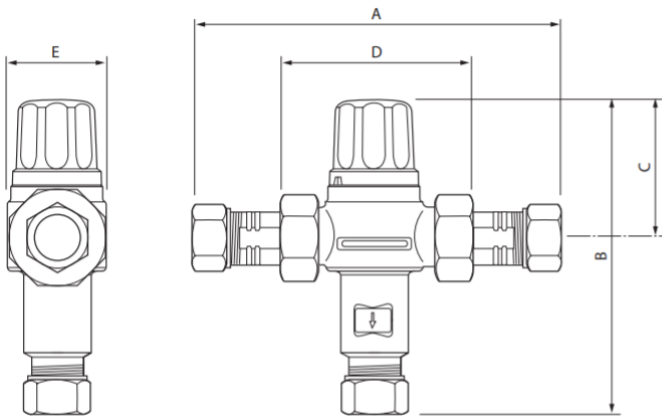
Specifications

Factory set temperature	38°C
Temperature setting range	38 - 46°C
Temperature, hot supply	52 - 65°C (Max 85°C)
Temperature, cold supply	5 - 20°C
Minimum hot to mix differential temperature	10°C
Temperature stability (nominal)	± 2°C
Maximum static pressure	16.0 bar
Operating pressure	0.1 - 6.0 bar
Maximum pressure loss ratio (either supply)	10:1
Minimum flow rate	4 L/mi

Flow rates



Dimensions – All measurements in mm unless otherwise stated



Product code	A	B	C	D	E
HEAT110614	130	121	54	72	40
HEAT110624	151	123	54	72	40

Product code	A	B	C	D	E	F
HEAT110616	205	121	54	72	120	40
HEAT110625	205	123	54	72	120	40

