

Cim *82PN16

FLANGED BRONZE GLOBE VALVE - PTFE SEAT - PN 16 - DRILLED FLANGE PN 16



This article was made in compliance with the quality management requirements of ISO 9001 standard. All articles are tested according to the EN 12266-1 standard.

It can be used in a wide variety of sectors and in any industrial or agricultural application where a regulation is required: heating, water, sanitary systems, pneumatic systems, saturated steam, oil, gasoline and other hydrocarbons and generally with any non corrosive liquid.

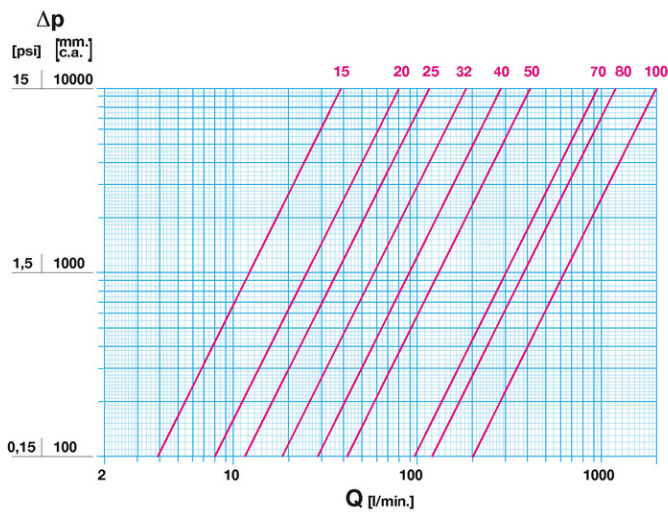
It is guaranteed for 5 years.

It is made of a bronze alloy that complies with standard EN 1982-CC491K.

Nominal Pressure: PN16

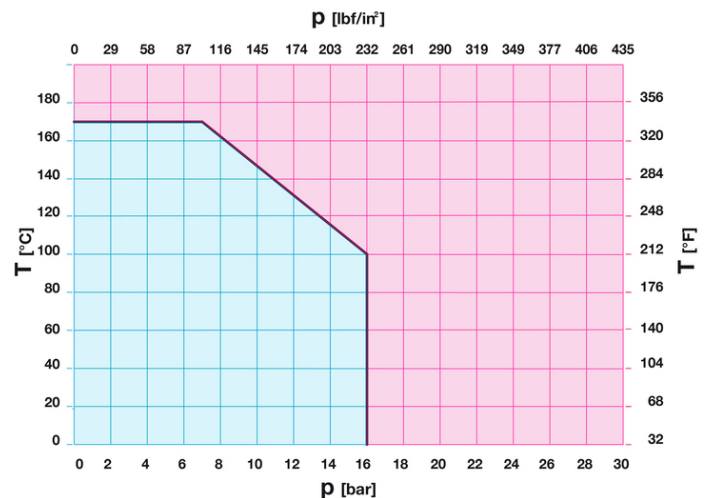
Operating temperature: $-10 \div 170^{\circ}\text{C}$

FLOW AND PRESSURE DROP



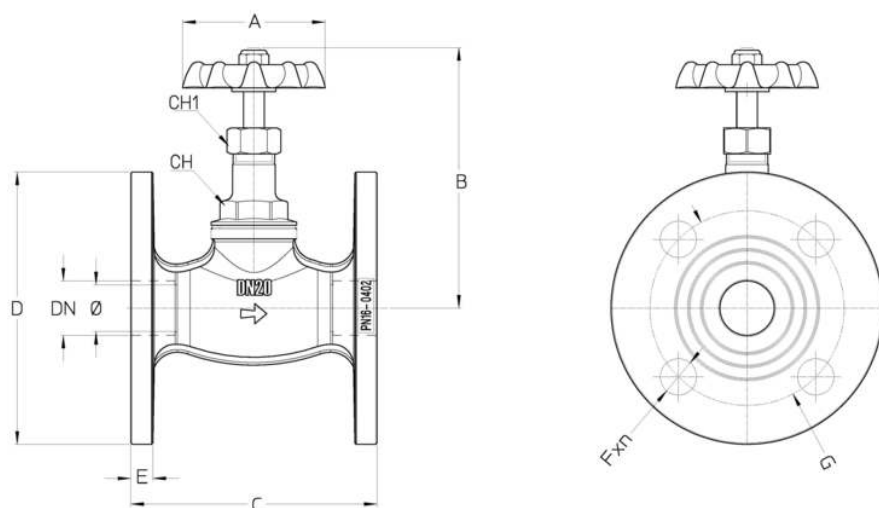
Notes:
 1 l/min = 0,06 m³/h
 1 m³/h = 16,67 l/min
 1 bar = 10.000 mm w.c.
 1 psi = 690 mm w.c.

PRESSURE TEMPERATURE RATINGS



Notes:
 1 bar = 14,5 psi
 1 bar = 14,5 lbf/in²
 $^{\circ}\text{C} = 5/9 \times (^{\circ}\text{F} - 32)$
 $^{\circ}\text{F} = 32 + (9/5 \times ^{\circ}\text{C})$

TECHNICAL DRAWING



DN	1/2"	3/4"	1"	1"1/4	1"1/2	2"	2"1/2	3"	4"
Ø mm	16	21	26	33	40	52	72	82,5	101
Grms.	1375	1705	2325	3320	4525	5850	8885	11535	17910
A	55	55	65	65	80	80	120	120	175
B	97,5	104,5	109	112,5	138,5	152,5	208	235,5	297
C	82,5	95	104	113	133,5	154	170	178,5	200
D	94	105	119	138,5	147	163	185	199	230
E	8	8,5	9,5	9,5	11	11	13	13	17
Fxn	14x4	14x4	14x4	18x4	18x4	18x4	18x4	18x4	18x8
G	65	75	85	100	110	125	145	160	180
CH	23	23	28	33	37	45	55	63	80
CH1	18	18	21	23	25	27	37	39	50

Flanging:
UNI EN 1092

Upon request:
BS 10 tables D - E - F
ANSI/ASME B16.5 Class 150

TECHNICAL CHARACTERISTICS

KV									
DN	1/2"	3/4"	1"	1"1/4	1"1/2	2"	2"1/2	3"	4"
Ø mm	15	20	25	32	40	50	70	80	100
KV	2,3	4,8	7	11	17	25	57	72	120

KV = Flow rate in m³/h with a pressure drop of 1 bar

REACH Regulation

According to article 33 of REACH Regulation, we inform you that the components made of bronze and brass alloys that are parts of the articles we supply, contain the lead (as alloy component) in a higher quantity of the limit of 0,1% in weight. Lead has been inserted in the list of SVHC substances nominated for the authorisation process, in the updating published by the European Chemical Agency ECHA on 27th June 2018. Lead has been introduced with the following information:

- Substance: Lead
- CAS: 7439-92-1
- EC: 231-100-4
- List: SVHC
- Data of Inclusion: 27th June 2018

Since lead is an element of the alloy, no exposure is expected and consequently, no further information is requested for the safe use of this product.

The list is available at the following link: <https://echa.europa.eu/it/candidate-list-table> and since it is a continuously updated list, we declare the constant monitoring about insertion of new substances and the prompt on time information to our customers in case such substances should be contained in the products we supply.

Make sure product materials and features are suitable for system scope and conform to the local regulations in force

OUR CERTIFICATIONS

