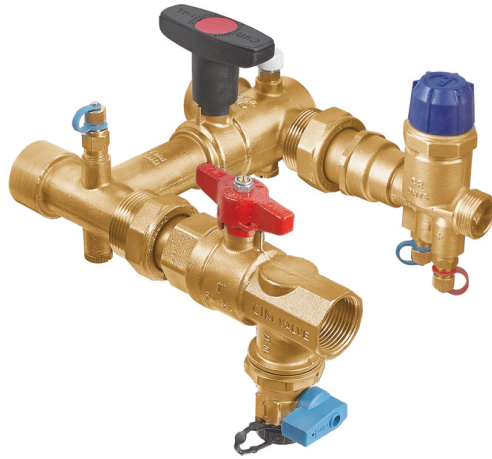


Cim 733/717HF

MONOLINK WITH AUTOMATIC PICV BALANCING VALVE AND BALL VALVE WITH STRAINER - HIGH FLOW



This article was made in compliance with the quality management requirements of ISO 9001 standard. All articles are tested according to the EN 12266-1 standard.

It can be used in a wide variety of sectors: heating, air conditioning, water, sanitary systems and generally with any non corrosive liquid.

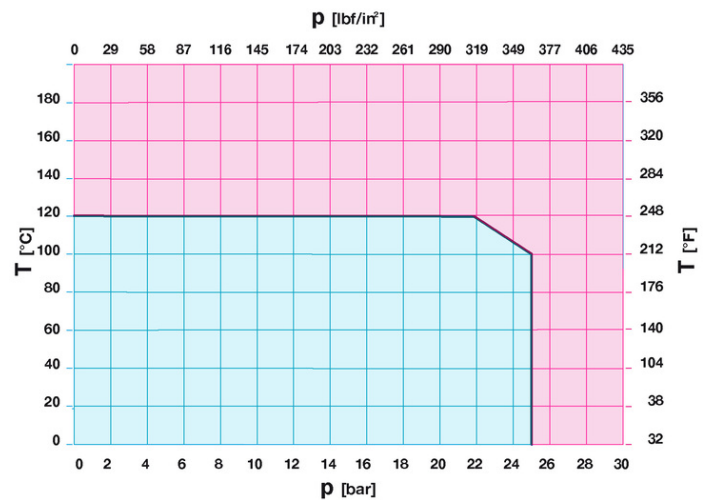
It is guaranteed for 5 years.

It is made of a "CR" - "DZR" brass alloy that complies with standard EN 12165-CW602N-M.

Nominal Pressure: PN25

Operating temperature: -10 to 120°C

PRESSURE TEMPERATURE RATINGS



Notes:

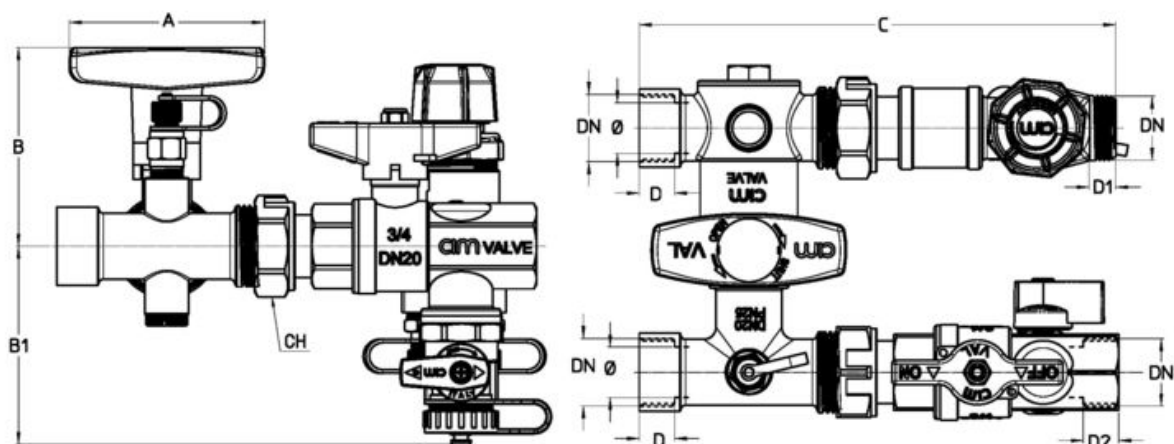
1 bar = 14,5 psi

1 bar = 14,5 lbf/in²

°C = 5/9 x (°F-32)

°F = 32 + (9/5 x °C)

TECHNICAL DRAWING



DN	1/2"x1/2"	3/4"x3/4"	1"x1"	1"1/4x1"1/4
Ø mm	15	20	25	32
Grms.	1730	2480	3450	6130
A	80	80	80	80
B	77	81	85	85
B1	77	81	91	121
C	163	197	239,5	332
D	14	15	21	24
D1	9	11	11	11
D2	17	18,5	21	23
E	100	100	150	175
CH	31	37	47	52

OUR CERTIFICATIONS

