

Cim 733/747

MONOLINK WITH FIXED ORIFICE BALANCING VALVE AND BALL VALVE WITH STRAINER



This article was made in compliance with the quality management requirements of ISO 9001 standard. All articles are tested according to the EN 12266-1 standard.

It can be used in a wide variety of sectors: heating, air conditioning, water, sanitary systems and generally with any non corrosive liquid.

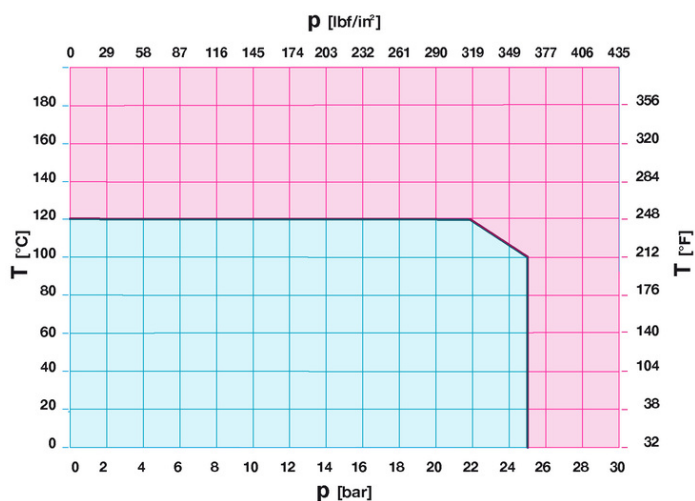
It is guaranteed for 5 years.

It is made of a "CR" - "DZR" brass alloy that complies with standard EN 12165-CW602N-M.

Nominal Pressure: PN25

Operating temperature: -10 to 120°C

PRESSURE TEMPERATURE RATINGS



Notes:

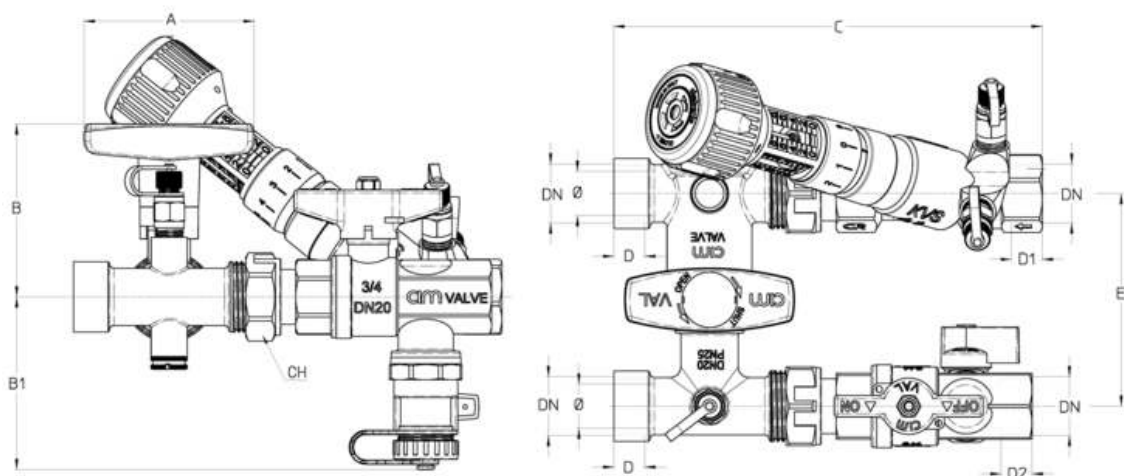
1 bar = 14,5 psi

1 bar = 14,5 lbf/in²

°C = 5/9 x (°F-32)

°F = 32 + (9/5 x °C)

TECHNICAL DRAWING



DN	1/2"x1/2"	3/4"x3/4"	1"x1"	1"1/4x1"1/2	1"1/2x1"1/2
Φ mm	15	20	25	25	25
Grms.	2060	2820	3670	6350	8310
A	80	80	80	80	80
B	110	129	130	141,5	181,5
B1	77	81	91	121	130
C	171	201,5	242,5	332	361
D	14	15	21	24	25,5
D1	15	19	21	27,5	28
D2	15	18,5	21	23	23
E	100	100	150	175	175
CH	31	37	47	52	64

Thread:
ISO 7 - Rp, ISO 228

OUR CERTIFICATIONS

