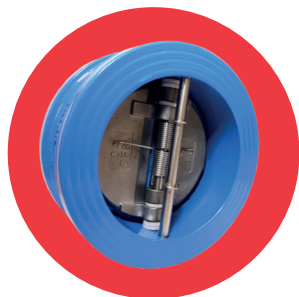


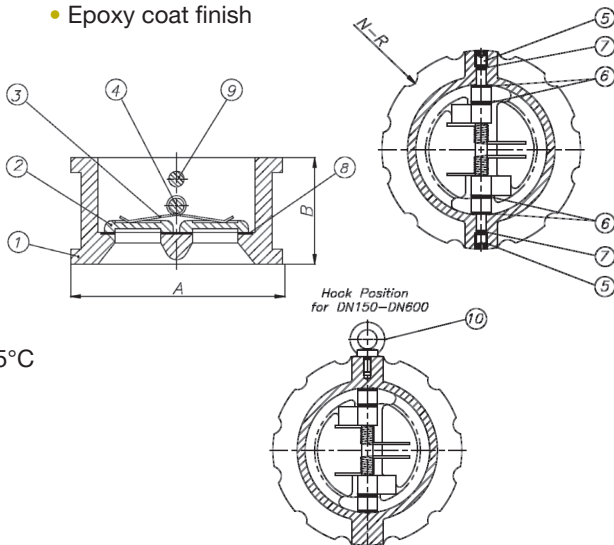
# ART 136

## Cast Iron Dual Plate Wafer Check Valve



### Features

- Universal flange mounting to suit BS EN1092 PN10 / PN16 and ANSI B16.1 Class 125
- Epoxy coat finish



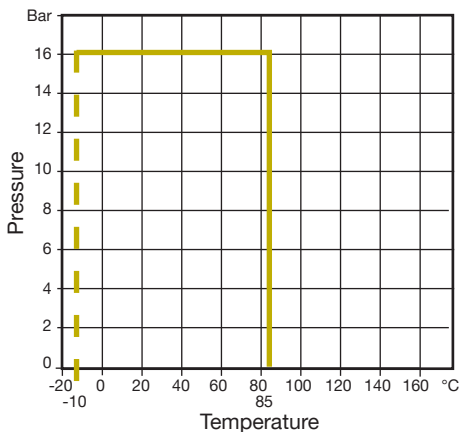
### Technical data

Max pressure: 16 Bar  
Working temp: -10°C to +85°C

DN	50	65	80	100	125	150	200	250	300
A	106	126	141	161	191	217	272	327	382
B	54	54	57	64	70	76	95	108	143
N-R	-	-	-	-	-	-	12-R12.5	12-R15	12-R15
Kv	51.8	90.7	146.8	302.4	492.4	734.4	1425.6	2073.6	3196.8
Kgs	1.5	2.5	3.0	4.5	6.5	9.0	13.5	19.5	36.0

### N. Part Name Materials

1	Body	Cast Iron EN1561 EN-GJL-250
2	Disc	Stainless Steel CF8
3	Spring	Stainless Steel 304
4	Hinge Pin	Stainless Steel 420
5	Pin Retainer	Stainless Steel 304
6	Washer	PTFE
7	Gasket	EPDM
8	Seat	EPDM
9	Stop Pin	Stainless Steel 420
10	Eyebolt	Carbon Steel



V1. Dimensions in mm

This data sheet is designed as a guide and should not be regarded as wholly accurate in every detail. We reserve the right to amend the specification of any product without notice.