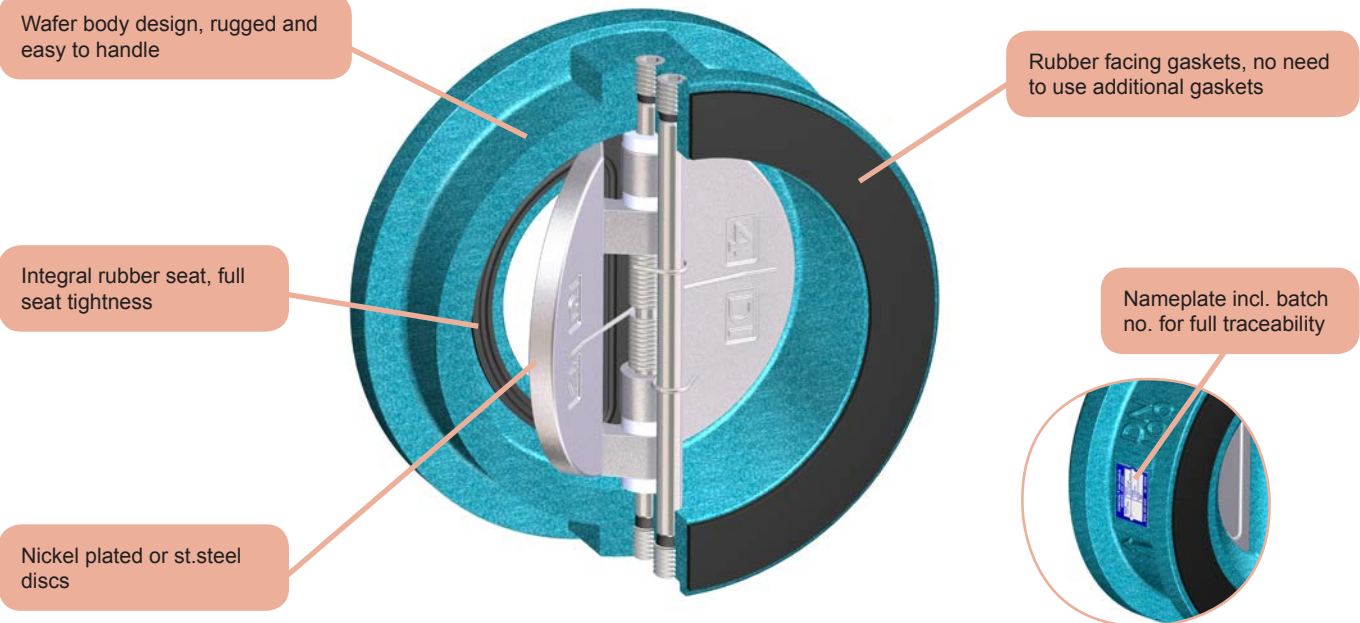


Design Attributes

Wafer Dual Plate Check Valves use two half-sphere discs and a connecting hinge to create a closure element that collapses when positive flow exists, and folds back to a full circular disc when reverse flow exists. Discs are preloaded with springs that favour the closing of the valve when no positive flow. These valves are featured as a light, compact and economic option. The valves are provided with epoxy protection against environmental or media aggression. With a dedicate design and production, they offer a low pressure drop in comparison to other wafer check valves, and full seat tightness, being widely used mainly in clean water and oil systems, with significant savings in space and investment costs for installation.



Main Features

Valve design: EN 12334, EN 12516
 Nominal Pressure: PN16 (DN50-300) / PN10 (DN350-600)
 Face to face length: EN 558 S16 (DN50-500) / EN 558 S50 (DN600)
 Valve end connections: Between flanges EN 1092 PN10/16
 Marking: EN 19. See arrow on body for normal flow direction
 Pressure Tests: EN 12266-1
 Seat leakage rate: Rate A (full seat tightness)
 Inside and outside epoxy coating protection metal green color similar to RAL6005. Min. average thickness 60 microns
 Product compliant with Directive 2014/68/EU on Pressure Equipment (PED)

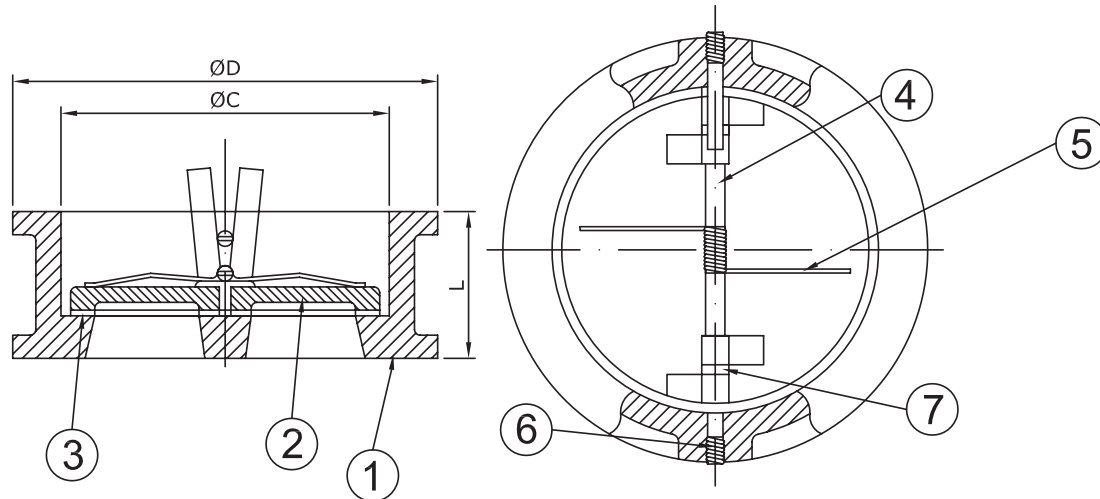
Main Duties / Limits of use

Fresh clean water and neutral liquids of group 2*, acc. to Directive 2014/68/EU, Annex II table 9 up to category I
 Table 9: PS 16 bar DN50-300 (Art.4-Parr.3)
 PS 10 bar DN350-600 (Art.4-Parr.3)
 TS: -10/80°C (NBR seat) ; -10/110°C (EPDM seat)
 Questions referring to chemical resistance, please consult us
 *Classification of fluids (group 2) acc. to Directive 2014/68/EU, Article 13

Options

Other designs and approvals. Please consult us

Main Parts and Materials



N°	PART	MATERIAL
1	BODY	Cast iron EN-JL1040 (GG25)
2	DISCS	CH2222 Ductile iron EN-JS1030 (GGG40) Nickel plated
		CH2263 St. steel 316
3	RESILIENT SEAT	NBR (CH2222N/CH2263N) / EPDM (CH2222E/CH2263E) / VITON (CH2222V/CH2263V)

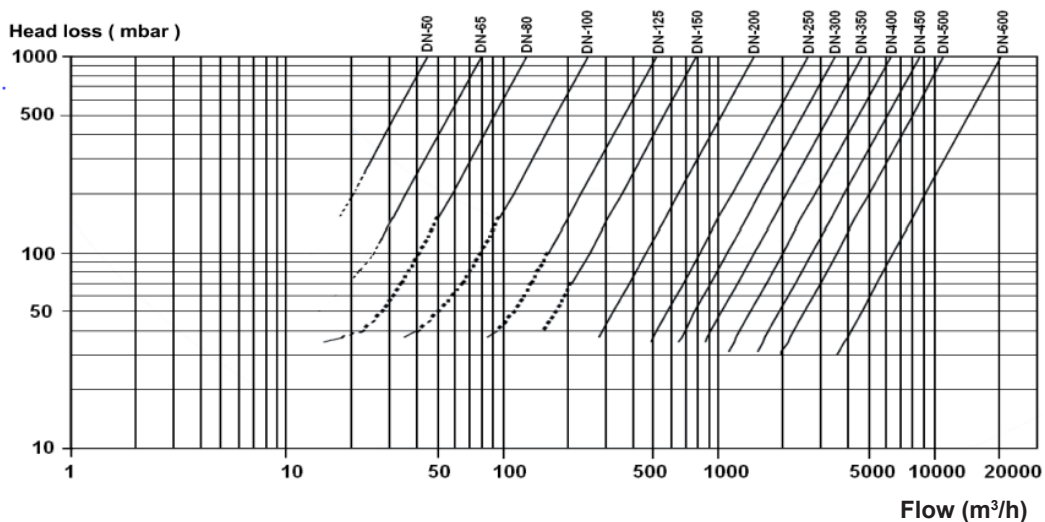
N°	PART	MATERIAL
4	SHAFT	CH2222 St. steel 420
		CH2263 St. steel 316
5	SPRING	CH2222 St. steel 304
		CH2263 St. steel 316
6	RETAINER SCREW	Galvanized carbon steel
7	DISCS BEARING	PTFE

Main Valve Parameters

DN	mm	50	65	80	100	125	150	200	250	300	350	400	450	500	600
	inch	2	2-1/2	3	4	5	6	8	10	12	14	16	18	20	24
L		43	46	64	64	70	76	89	114	114	127	140	152	152	222
ØD		109	129	144	165	194	220	275	330	380	440	491	541	596	698
ØC		70,5	83,5	91,5	115,5	142,5	169,5	220,5	275,5	325,5	356	406	468	515	617
Approx. Weight		2	2	3	4,5	7	11	18	29	33	71	99	118	180	549
Opening Pressure data	ΔP_c for horizontal flow	230	100	190	280	160	80	40	40	30	30	30	30	30	30
	ΔP_c^{up} for vertical upward flow	260	120	230	230	180	90	60	60	60	60	60	60	60	60

Dimensions in mm subject to manufacturing tolerance / Pressure in mbar / Weights in kg

Flow Diagram



Information / restriction of technical rules need to be observed!
Installation, Operating and Maintenance Manual can be downloaded at www.comeval.es

The engineer, designing a system or a plant, is responsible for the selection of the correct valve
Product suitability must be verified, contact manufacturer for information