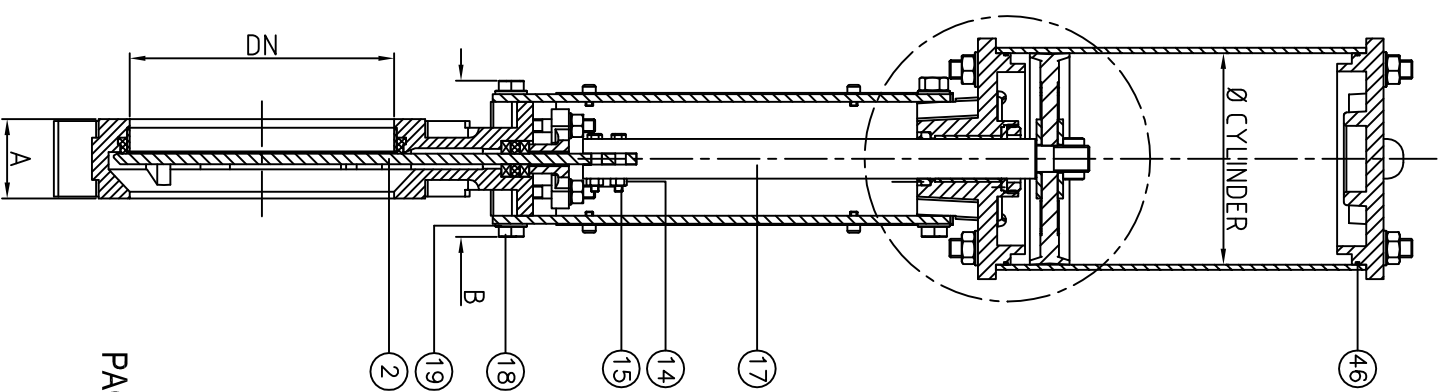
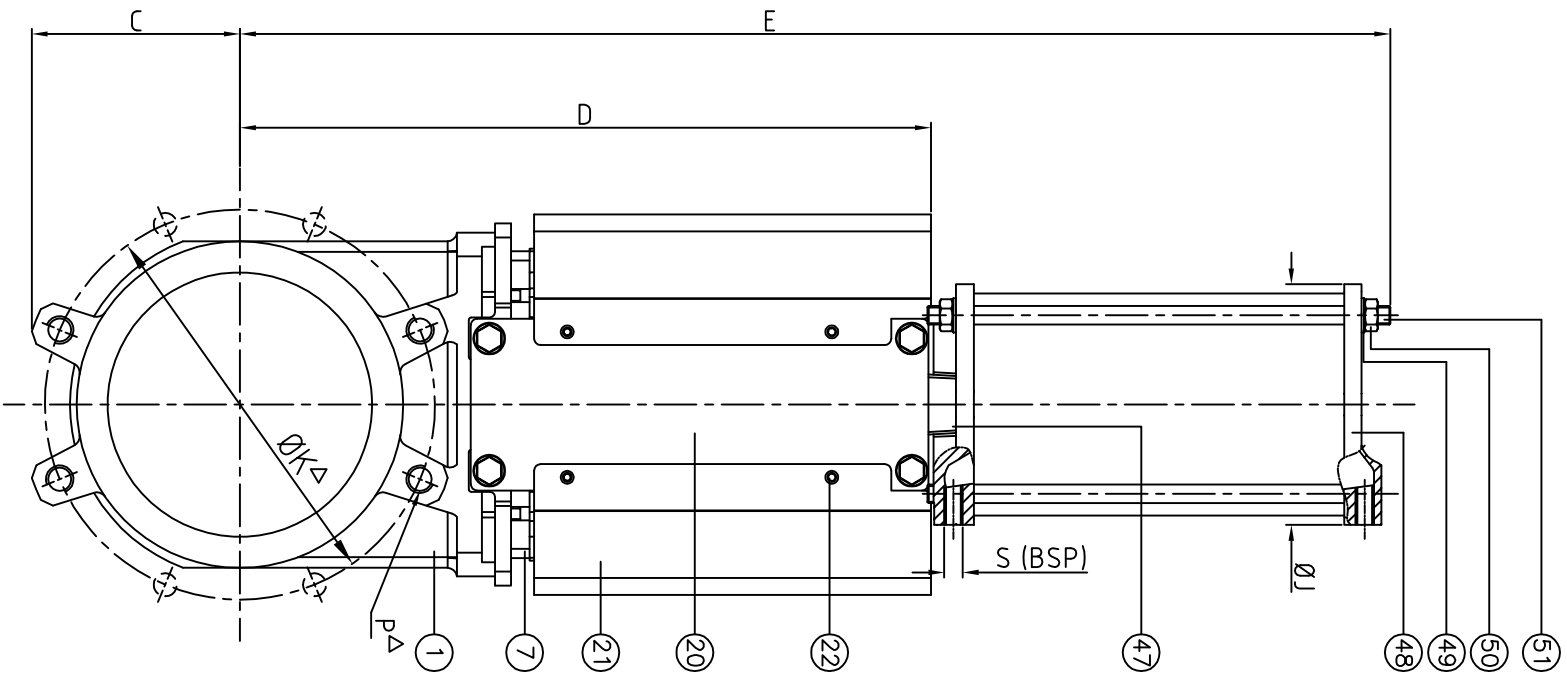


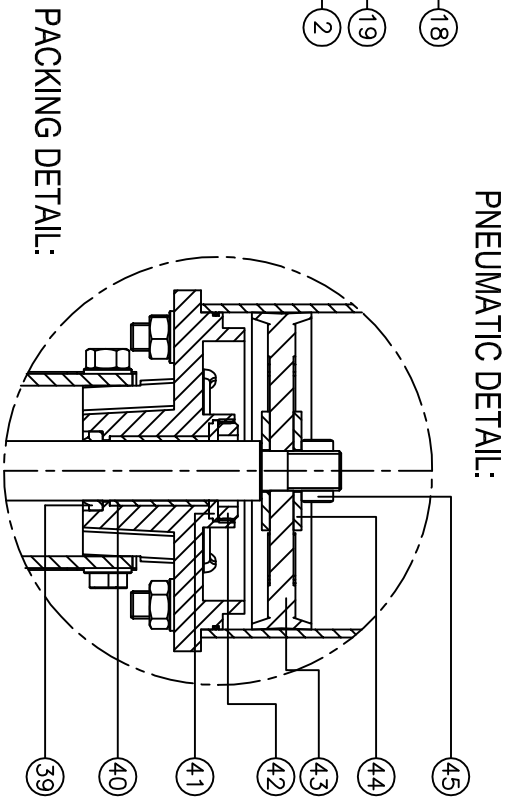
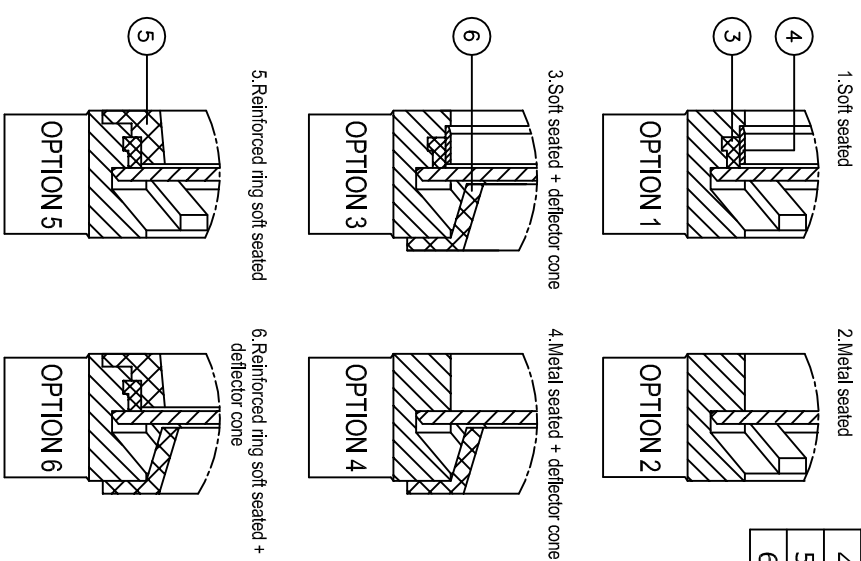
△ Flanges drilled according to EN 1092-2 and DIN 2501:ISO PN10  
(for further information please contact us)

Maximum working design pressure:	Standard testing pressure (EN 12266-1):
DN50-DN250: 10Bar	DN50-DN250: 11Bar
DN300-DN400: 6Bar	DN300-DN400: 6,6Bar
DN450-DN600: 4Bar	DN450-DN600: 4,4Bar

Pneumatic recommended air supply 5-6bar



**SEAT OPTIONS:**



DN*	INCHES	A	B	C	D	E	Ø1	ØCYLINDER	S(B.S.P)	WEIGHT(Kg)
50	2"	40	90	65	240	410	105	80	1/4"	7,5
65	2 1/2"	40	90	71	267	456	105	80	1/4"	8,5
80	3"	50	90	92	292	495	105	80	1/4"	10
100	4"	50	90	106	338	560	124	100	1/4"	13
125	5"	50	90	121	367	629	147	125	1/4"	16
150	6"	60	90	135	417	705	147	125	1/4"	20,5
200	8"	60	120	160	525	870	182	160	1/4"	34,5
250	10"	70	120	200	622	1035	229	200	1/4"	52,5
300	12"	70	120	232	722	1185	229	200	1/4"	66,5
350	14"	96	192	258	841	1378	281	250	3/8"	122
400	16"	100	192	295	945	1540	281	250	3/8"	152
450	18"	106	192	318	1032	1698	343	300	3/8"	180
500	20"	110	192	345	1145	1856	343	300	3/8"	227
600	24"	110	290	405	1345	2154	343	300	3/8"	330

\*Other dimensions/materials on request

51	Pneumatic tie rod	Steel	Steel	-
50	Pneumatic nut (rods)	Steel	Steel	-
49	Pneumatic washer (rods)	Steel	Steel	-
48	Pneumatic upper cap	Aluminium	Aluminium	1
47	Pneumatic lower cap	NBR	NBR	1
46	Pneumatic sealing o'ring	Steel	Steel	2
45	Pneumatic nut (piston)	Steel	Steel	1
44	Pneumatic washer (piston)	Steel	Steel	1
43	Piston rod	NBR	NBR	1
42	Pneumatic sealing gland	AISI303	AISI303	1
41	Pneumatic sealing ring	NBR	NBR	1
40	Pneumatic gasket	Bronze	Bronze	1
39	Pneumatic scraper	NBR	NBR	1
22	Protection's bolt	A2	A2	8
21	Protection guard	AISI304L	AISI304L	2
20	Support plate	Steel	Steel	2
19	Washer	A2	A2	-
18	Bolt	A2	A2	-
17	Stem	AISI303	AISI303	1
15	Union bolt stem-gate	A2	A2	2
14	Union nut stem-gate	A2	A2	2
13	Nut	A2	A2	-
12	Washer	A2	A2	-
11	Stud	A2	A2	-
9	Packing o'ring	EPDM/NBR*	EPDM/NBR*	-
8	Packing gland	SYNT+PTFE*	SYNT+PTFE*	-
7	Packing gland	Aluminium*	CF8M (AISI316)*	1
6	Deflector cone 15°	CF8M (AISI316)*	CF8M (AISI316)*	-
5	Reinforced ring 8°	CF8 (AISI304)*	CF8M (AISI316)*	-
4	Sealing ring	AISI316/304	AISI316	-
3	Seat	EPDM/NBR*	EPDM/NBR*	-
2	Gate	AISI304L*	AISI316L*	1
1	Body	Cast iron GLL-250 G625*	CF8M (AISI316)*	1

Denomination		Drawing No.		Model		Sheet	
KNIFE GATE VALVE, T200 EA - PNEUMATIC DOUBLE ACTING		COM0008		T200		1/1	
Rev	Modification	Date	Name	Version	Paper size		
1				Commercial	A3		
2		Traced by	O.D.V.	Quantity	Scale		
3		Approved by	J.S.H.				
4							



ZUBI reserves the right to modify the measures without previous notice