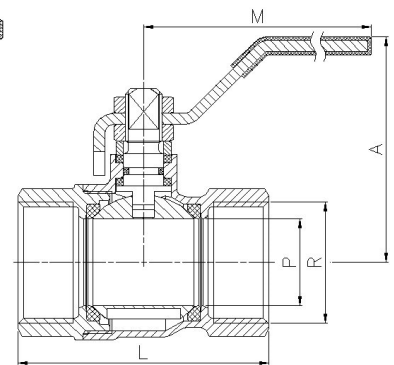
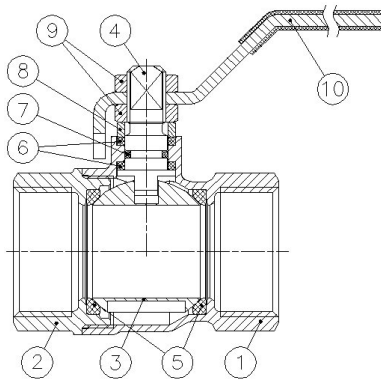


Art.: 3029

Válvula de esfera accionamiento palanca / Ball valve lever handle

| Características | Features |
|--|--|
| 1. Válvula esfera con paso total. | 1. Ball valve with full bore |
| 2. Construcción en latón s/ UNE-EN 12165 cromado | 2. Brass acc./ UNE-EN12165 chrome plated |
| 3. Extremos rosca gas (BSP) H-H según ISO 228/1 | 3. Gas (BSP) threaded F-Fends acc/ ISO 228/1 |
| 4. Accionamiento mediante palanca de acero | 4. Working by means of steel lever handle |
| 5. Temperatura de trabajo desde -20°C a 110°C | 5. Working temperature from -20°C to 110°C |
| 6. Presión máxima de trabajo 25 bar (PN 25) | 6. Maximum working pressure 25 bar (PN 25) |
| 7. Asientos PTFE | 7. PTFE Seats |
| 8. Producto certificado WRAS | 8. Approved product WRAS |



| Nº | Denominación / Name | Material | Acabado Superficial / Surface Treatment |
|----|------------------------------|------------------------|---|
| 1 | Cuerpo / Body | Latón / Brass (CW617N) | Granallado + Cromado / Peened + Chromed |
| 2 | Tapa / Cap | Latón / Brass (CW617N) | Granallado + Cromado / Peened + Chromed |
| 3 | Esfera / Ball | Latón / Brass (CW617N) | Cromado / Chrome plated |
| 4 | Eje / Stem | Latón / Brass (CW617N) | Cromado / Chrome plated |
| 5 | Asientos / Ball seats | PTFE | - |
| 6 | Anillo prensa / Stem packing | PTFE | - |
| 7 | Tórica / O-Ring | NBR | - |
| 8 | Anillo prensa / Stem ring | Latón / Brass | Cromado / Chrome plated |
| 9 | Tuerca / Nut | Latón / Brass | Cromado / Chrome plated |
| 10 | Maneta / Handle | Acero / Steel | Dacromet ® |

| Ref. | Medida / Size | | Dimensiones / Dimensions (mm) | | | | | Peso / Weight (Kg) |
|---------|---------------|-----|-------------------------------|-----|-----|-----|-------|--------------------|
| | R | DN | P | A | L | M | | |
| 3029 02 | 1/4" | 10 | 10 | 46 | 40 | 84 | 0,106 | |
| 3029 03 | 3/8" | 10 | 10 | 46 | 43 | 84 | 0,113 | |
| 3029 04 | 1/2" | 15 | 14 | 47 | 49 | 84 | 0,151 | |
| 3029 05 | 3/4" | 20 | 19 | 58 | 56 | 98 | 0,270 | |
| 3029 06 | 1" | 25 | 24 | 61 | 68 | 98 | 0,383 | |
| 3029 07 | 1 1/4" | 32 | 30 | 74 | 80 | 126 | 0,611 | |
| 3029 08 | 1 1/2" | 40 | 37 | 80 | 89 | 126 | 0,807 | |
| 3029 09 | 2" | 50 | 46,5 | 91 | 104 | 158 | 1,333 | |
| 3029 10 | 2 1/2" | 65 | 58,5 | 101 | 137 | 158 | 2,431 | |
| 3029 11 | 3" | 80 | 72 | 131 | 158 | 196 | 4,048 | |
| 3029 12 | 4" | 100 | 90 | 145 | 183 | 265 | 5,996 | |

DIAGRAMA PÉRDIDA DE CARGA / HEAD LOSS CHART

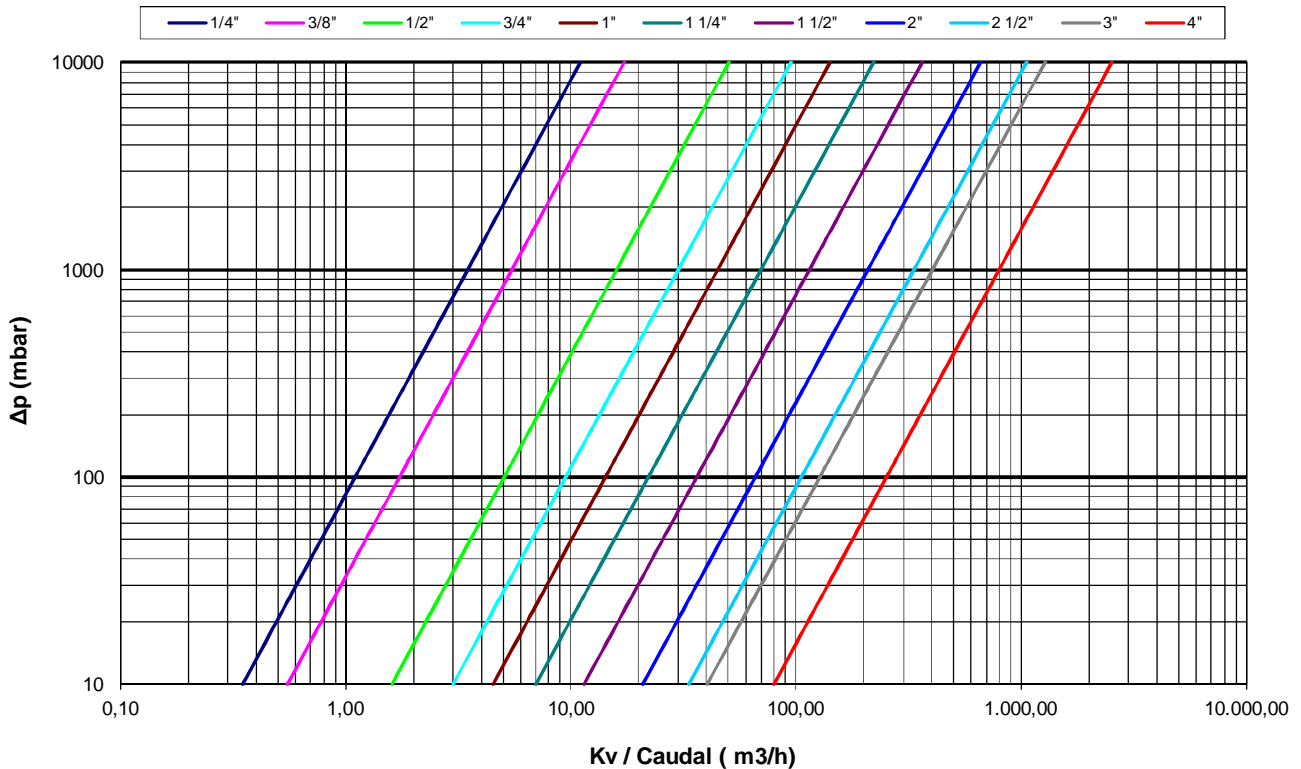
(Válvulas paso total roscadas / Threaded ends full bore ball valves)

Valores de Kv / Kv Values:

Kv = Es la cantidad de metros cúbicos por hora que pasará a través de la válvula generando una pérdida de carga de 1 bar.

Kv = The flow rate of water in cubic meters per hour that will generate a pressure drop of 1 bar across the valve.

| Medida / Size | 1/4" | 3/8" | 1/2" | 3/4" | 1" | 1 1/4" | 1 1/2" | 2" | 2 1/2" | 3" | 4" |
|---------------|------|------|------|------|----|--------|--------|-----|--------|-----|-----|
| Kv | 3.5 | 5.5 | 16 | 30 | 45 | 70 | 115 | 210 | 335 | 405 | 800 |



CURVA PRESIÓN - TEMPERATURA / PRESSURE - TEMPERATURE RATING

