

Globe Silent Check Valve
Size DN50-DN300 PN16/PN25
FIG. 5106

Specifications

- Complies with the requirements of EN12334.
- The design is for liquid service and offers many obvious advantages when compared with conventional swing check valve.
- Spring automatically closes disc at zero flow before flow reversal occurs. This prevents surge and water hammer.
- Completely guided disc both top and bottom.
- Perfect tightness soft sealed even at low differential pressure.
- Available with flanges EN1092-2 PN10 or PN16, ANSI B16.1 Class125. (Other types available on request)
- WRAS approved
Fig. 5106 DN50- DN300,
CI body, EPDM seat for potable water

Working Pressure

- 16 bar or 25 bar.

Working Temperature

- -10°C to 120°C for EPDM disc ring.
- -10°C to 82°C for NBR disc ring.
- -10°C to 150°C for Viton disc ring.

Corrosion Protection

- Internally and externally liquid epoxy painted or fusion bonded epoxy powder coated (FBE).

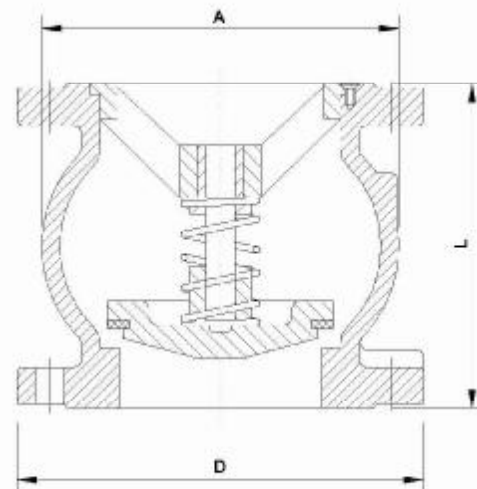
Notes:

*In Ductile Iron construction for Pn25.
Design and material are subject to change without notice.*

Material Specifications

Part Name	Material	EN Spec.	ASTM Spec.
Body	Cast Iron	EN-JL 1040	ASTM A126 Class B
Seat	CI Integral	EN-JL 1040	ASTM A126 Class B
Disc	Cast Iron	EN-JL 1040	ASTM A126 Class B
Disc Ring	EPDM/NBR/Viton	Commercial	Commercial
Spring	Stainless Steel	BS970 304S15	AISI 304
Bushing	Bronze	EN1982 CC491K	B62 C83600
Stem	Stainless Steel	BS970 420S37	AISI 420
	Brass	CuZn39Pb3	B16 C36000
Bracket	Cast Iron	EN-JL 1040	ASTM A126 Class B
Screw	Stainless Steel	BS970 304S15	AISI 304

Schematic



Dimensions (mm)

Size	DN50	DN65	DN80	DN100	DN125	DN150	DN200	DN250	DN300
L	100	120	140	170	200	230	288	354	410
A	97	125	150	187	220	260	340	420	490
D	EN1092-2 PN16 Flange	165	185	200	220	250	285	340	405
	EN1092-2 PN25 Flange	165	185	200	235	270	300	360	425
	ANSI 125# Flange	152	178	191	229	254	279	343	406
	ANSI 250# Flange	165	191	210	254	279	318	381	445
Weight (kg)	8	10	13	17	30	50	50	90	100

The designs, materials and specifications shown are subject to change without notice due to the continuous development of our products.