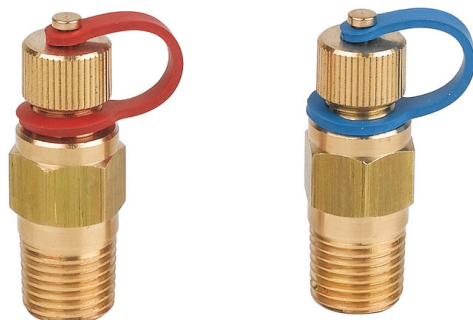


Cim 723

BINDER POINTS



This article was made in compliance with the quality management requirements of ISO 9001 standard.
All articles are tested according to the EN 12266-1 standard.

It can be used in a wide variety of sectors: heating, air conditioning, water, sanitary systems and generally with any non corrosive liquid.

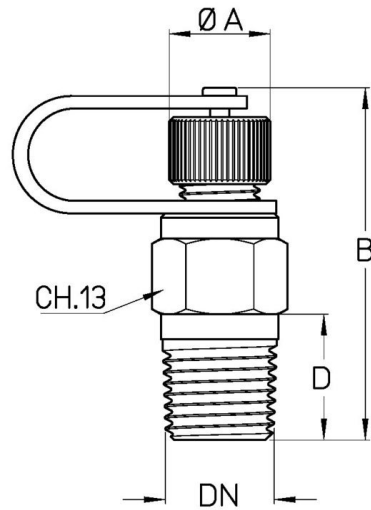
It is guaranteed for 5 years.

It is made of a brass alloy that complies with standard EN 12165-CW617N-DW.

Nominal Pressure: PN25

Operating temperature: -10 to 120°C

TECHNICAL DRAWING



DN	F.1/4"
Grms.	23
$\varnothing A$	12
B	38,5
D	12
CH	14

OUR CERTIFICATIONS

