

Gas Governors

» Spring-loaded governors, are designed and built according to UNI EN 88 class A - group 2 specifications, can be used for all the types of natural gas LPG or not corrosive gases. These regulators are widely used in supply lines for mixed and combined burners and in the piped distribution of methane gas and LPG in both industrial and non-industrial applications. Spring-loaded/ governors are self-acting type with balanced obturator and double safety diaphragm. The double diaphragm allow to use the device within the cabinet, without connecting an external pipe venting.

Gas Governors

GAS GOVERNOR 500 MBAR

GAS GOVERNOR 1/2", 3/4", 1" – Pmax 500 mbar p. 10

GAS GOVERNOR 1 1/4", 1 1/2" – Pmax 500 mbar p. 12

GAS GOVERNOR 2" – Pmax 500 mbar p. 14

GAS GOVERNOR DN656, DN80, DN100
Pmax 500 mbar p. 16

GAS GOVERNOR 1 BAR

GAS GOVERNOR 1/2", 3/4" and 1" – Pmax 1 bar p. 18

GAS GOVERNOR 1 1/4", 1 1/2" – Pmax 1 bar p. 20

GAS GOVERNOR 2" – Pmax 1 bar p. 22

GAS GOVERNOR DN656, DN80, DN100
Pmax 1 bar p. 24

GAS GOVERNOR 2 BAR

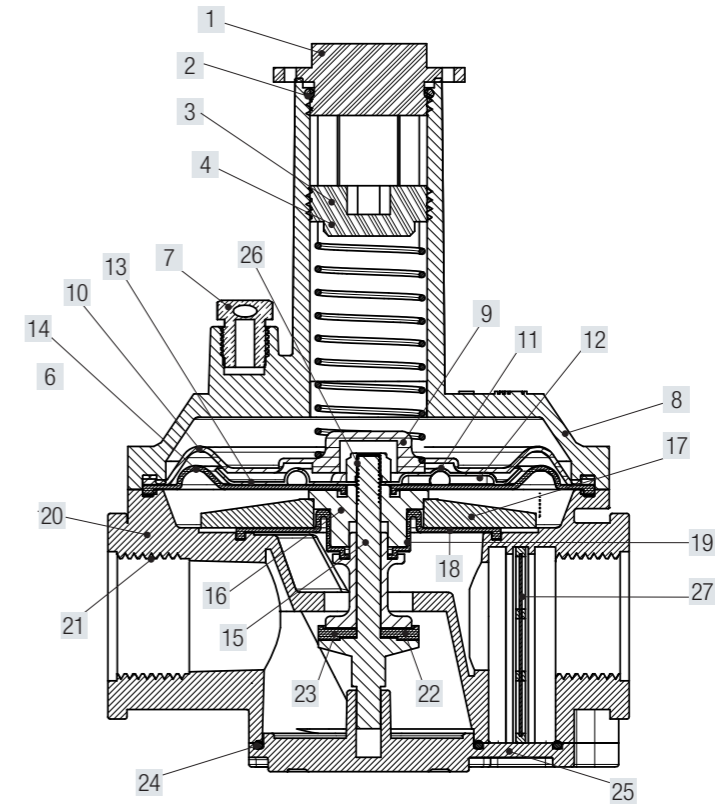
GAS GOVERNOR 1/2", 3/4" and 1" – Pmax 2 bar p. 26

GAS GOVERNOR 1 1/4", 1 1/2" – Pmax 2 bar p. 28

GAS GOVERNOR 2" – Pmax 2 bar p. 30

GAS GOVERNOR DN656, DN80, DN100
Pmax 2 bar p. 32

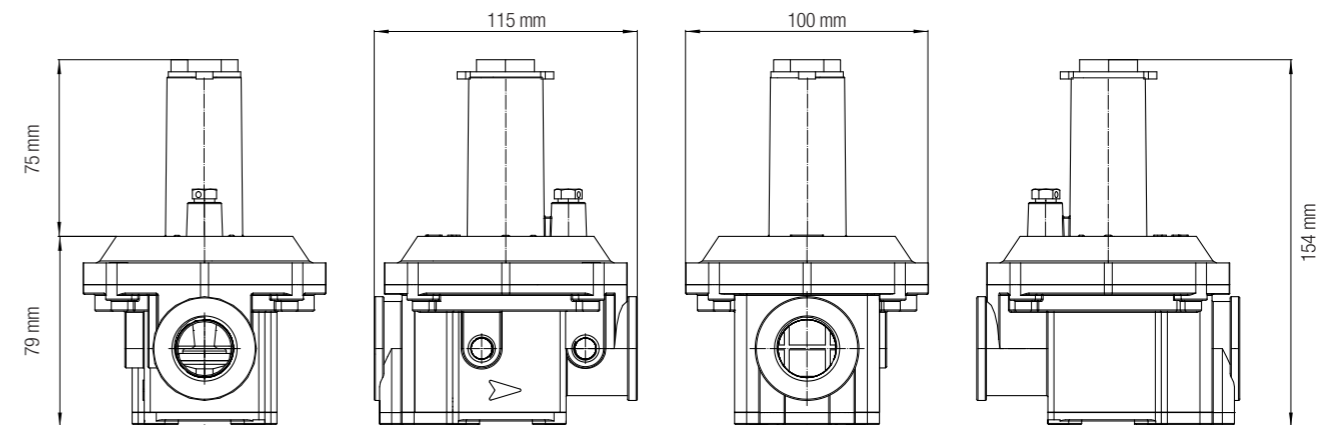
GAS GOVERNOR 1/2", 3/4", 1" – Pmax 500 mbar



Code	Description	Dimension	Pmax
RG015	Gas Governor	1/2"	500 mbar
RG020	Gas Governor	3/4"	500 mbar
RG025	Gas Governor	1"	500 mbar
RGD25	Gas Governor	DN25	500 mbar
RG015-FT	Gas Governor with filter	1/2"	500 mbar
RG020-FT	Gas Governor with filter	3/4"	500 mbar
RG025-FT	Gas Governor with filter	1"	500 mbar
RGD25-FT	Gas Governor with filter	DN25	500 mbar
RG015-TPIO	Gas Governor with test point in/out	1/2"	500 mbar
RG020-TPIO	Gas Governor with test point in/out	3/4"	500 mbar
RG025-TPIO	Gas Governor with test point in/out	1"	500 mbar
RGD25-TPIO	Gas Governor with test point in/out	DN25	500 mbar
RG015-FT-TPIO	Gas Governor with filter and test point in/out	1/2"	500 mbar
RG020-FT-TPIO	Gas Governor with filter and test point in/out	3/4"	500 mbar
RG025-FT-TPIO	Gas Governor with filter and test point in/out	1"	500 mbar
RGD25-FT-TPIO	Gas Governor with filter and test point in/out	DN25	500 mbar

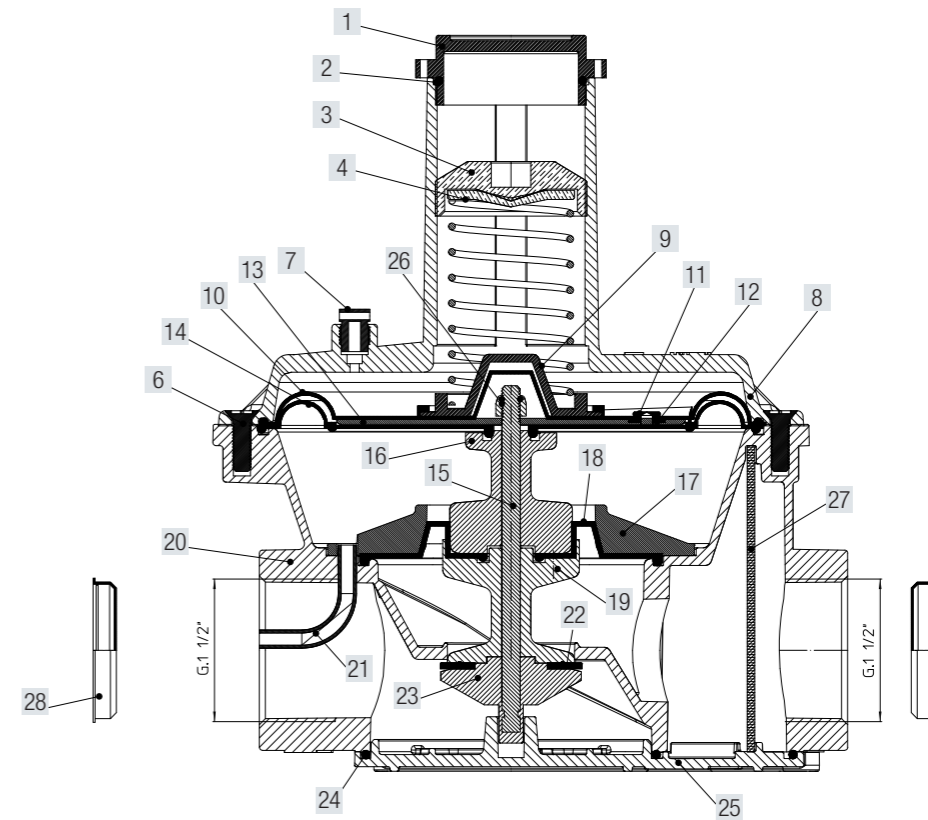
TECHNICAL FEATURES	
Pmax	inlet max – 500 mbar
Setting outlet	10 – 130 mbar – Standard spring supplied 10 – 27 mbar – Other spring on request – Range as per below table
Filtering	≤ 50µm – Plastic cartridge
Inlet - Outlet Connection	Thread gas 1/2", 3/4", 1" - ISO 228 DN25 - Sliding Aluminium flange PN10
Test point	1/8" NPT
Working Temperature	- 20 °C – + 60 °C
Use	Not aggressive gases of three families – Natural Gas – LPG – Town Gas
Approval	UNI EN 88-1:2011
Materials:	
Complete Body	Die – Cast Aluminium Gd – AISi12Cu – EN AB 46100
Diaphragms	NBR 60Sh – DvGW EN 549
Plastic components	Yellow POM / Pa 66 + 25% Gf
Code:	
SPW1-5	White 5 - 14 mbar
SPY1-5	Yellow 6 - 22 mbar
SPN1-5	Neutral 10 - 27 mbar
SPR1-5	Red 28 - 70 mbar
SPBK1-5	Black 60 - 130 mbar

1	Seal cap	15	Shaft
2	O ring	16	Upper bush
3	Spring compressor	17	Disc
4	Washer	18	Working diaphragm
6	Screws	19	Lower bush
7	Vent cap	20	Body
8	Upper cover	21	Sensing tube
9	Plastic Washer	22	Seal washer
10	Safety diaphragm	23	Plastic ring
11	Calibrated nozzle	24	Gasket
12	Washer	25	Cover
13	Disc	26	Nut
14	Compensation diaphragm	27	Filter cartridge



Dimension	1/2"	3/4"	1"
WEIGHT (kgs)	0,720	0,688	0,663

GAS GOVERNOR 1 ¼", 1 ½" – Pmax 500 mbar



Code	Description	Dimension	Pmax
RG032	Gas Governor	1 ¼"	500 mbar
RG040	Gas Governor	1 ½"	500 mbar
RGD32	Gas Governor	DN32	500 mbar
RGD40	Gas Governor	DN40	500 mbar
RG032-FT	Gas Governor with filter	1 ¼"	500 mbar
RG040-FT	Gas Governor with filter	1 ½"	500 mbar
RGD32-FT	Gas Governor with filter	DN32	500 mbar
RGD40-FT	Gas Governor with filter	DN40	500 mbar
RG032-TPIO	Gas Governor with test point in/out	1 ¼"	500 mbar
RG040-TPIO	Gas Governor with test point in/out	1 ½"	500 mbar
RGD32-TPIO	Gas Governor with test point in/out	DN32	500 mbar
RGD40-TPIO	Gas Governor with test point in/out	DN40	500 mbar
RG032-FT-TPIO	Gas Governor with filter and test point in/out	1 ¼"	500 mbar
RG040-FT-TPIO	Gas Governor with filter and test point in/out	1 ½"	500 mbar
RGD32-FT-TPIO	Gas Governor with filter and test point in/out	DN32	500 mbar
RGD40-FT-TPIO	Gas Governor with filter and test point in/out	DN32	500 mbar

TECHNICAL FEATURES

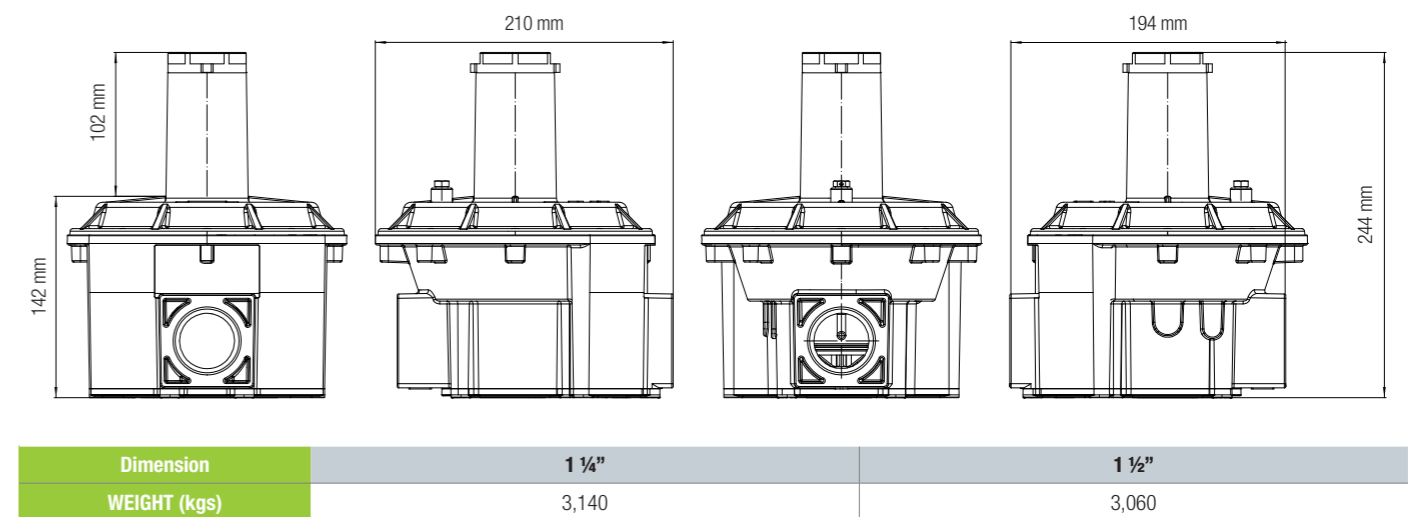
Pmax	inlet max – 500 mbar
Setting outlet	10 – 300 mbar – Standard spring supplied 10 – 27 mbar – Other spring on request – Range as per below table
Filtering	≤ 50µm – Viledon cartridge
Inlet - Outlet Connection	Thread gas 1 ¼" 1 ½" - ISO 228 DN32 - DN40 - Sliding Aluminium flange PN10
Test point	1/8" NPT
Working Temperature	- 20 °C – + 60 °C
Use	Not aggressive gases of three families – Natural Gas – LPG – Town Gas
Approval	UNI EN 88-1:2011

Materials:

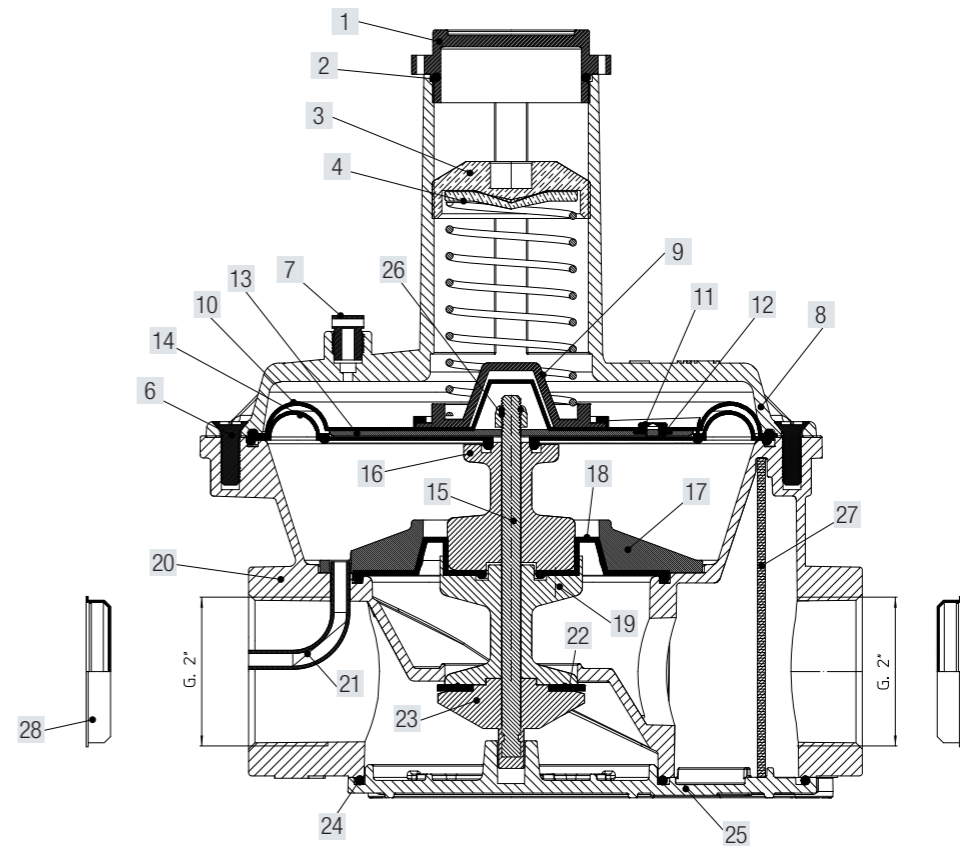
Complete Body	Die – Cast Aluminium Gd – AISi12Cu - EN AB 46100
Diaphragms	NBR 60Sh – DvGW EN 549
Plastic components	White POM / Pa 66 + 25% Gf

Code:	Color	Range mbar
SPW2-5	White	5 - 14 mbar
SPY2-5	Yellow	6 - 22 mbar
SPN2-5	Neutral	10 - 27 mbar
SPR2-5	Red	28 - 70 mbar
SPBK2-5	Black	60 - 130 mbar
SPB2-5	Blue	120 - 300 mbar

1	Seal cap	15	Shaft
2	O ring	16	Upper bush
3	Spring compressor	17	Disc
4	Washer	18	Working diaphragm
6	Screws	19	Lower bush
7	Vent cap	20	Body
8	Upper cover	21	Sensing tube
9	Plastic Washer	22	Seal washer
10	Safety diaphragm	23	Plastic ring
11	Calibrated nozzle	24	Gasket
12	Washer	25	Cover
13	Disc	26	Nut
14	Compensation diaphragm	27	Filter cartridge
		28	Screw cover



GAS GOVERNOR 2" – Pmax 500 mbar



Code	Description	Dimension	Pmax
RG050	Gas Governor	2"	500 mbar
RGD50	Gas Governor	DN50	500 mbar
RG050-FT	Gas Governor with filter	2"	500 mbar
RGD50-FT	Gas Governor with filter	DN50	500 mbar
RG050-TPIO	Gas Governor with test point in/out	2"	500 mbar
RGD50-TPIO	Gas Governor with test point in/out	DN50	500 mbar
RG050-FT-TPIO	Gas Governor with filter and test point in/out	2"	500 mbar
RGD50-FT-TPIO	Gas Governor with filter and test point in/out	DN50	500 mbar

TECHNICAL FEATURES

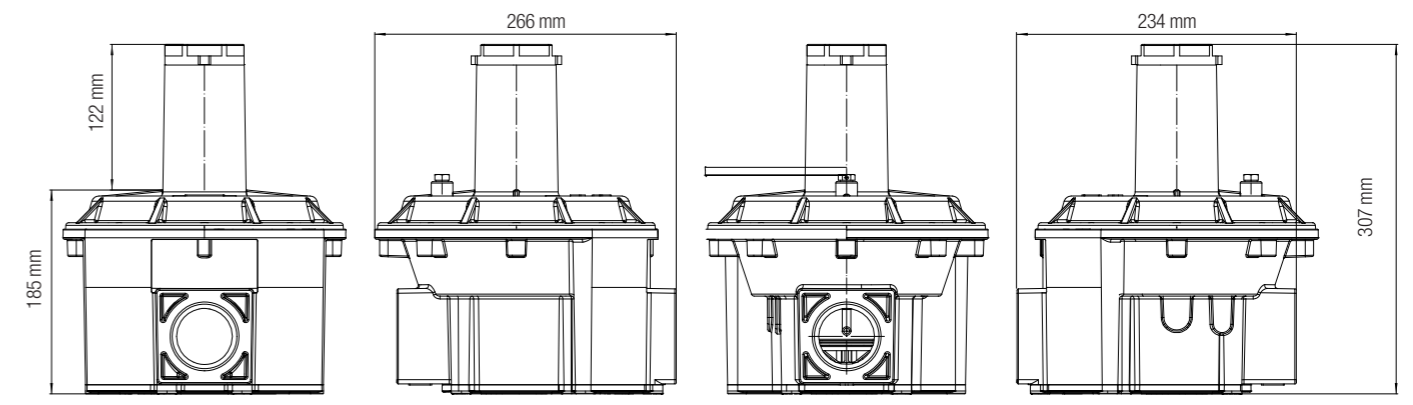
Pmax	inlet max – 500 mbar
Setting outlet	10 – 300 mbar – Standard spring supplied 10 – 27 mbar – Other spring on request – Range as per below table
Filtering	≤ 50µm – Viledon cartridge
Inlet- Outlet Connection	Thread gas 2" - ISO 228 DN50 - Sliding Aluminium flange PN10
Test point	1/8" NPT
Working Temperature	- 20 °C – + 60 °C
Use	Not aggressive gases of three families – Natural Gas – LPG – Town Gas
Approval	UNI EN 88-1:2011

Materials:

Complete Body	Die – Cast Aluminium Gd – AISi12Cu - EN AB 46100
Diaphragms	NBR 60Sh – DvGW EN 549
Plastic components	White POM / Pa 66 + 25% Gf

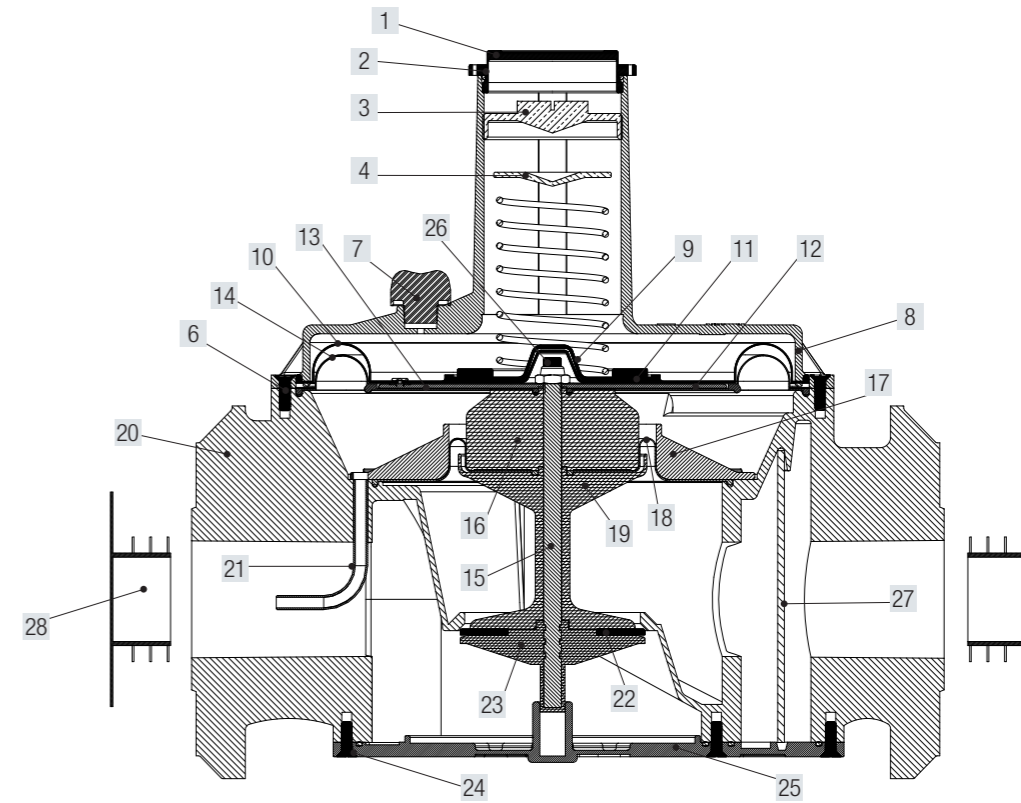
Code:	Color	Range mbar
SPW3-5	White	5 - 14 mbar
SPY3-5	Yellow	6 - 22 mbar
SPN3-5	Neutral	10 - 27 mbar
SPR3-5	Red	28 - 70 mbar
SPBK3-5	Black	60 - 130 mbar
SPB3-5	Blue	120 - 300 mbar

1	Seal cap	15	Shaft
2	O ring	16	Upper bush
3	Spring compressor	17	Disc
4	Washer	18	Working diaphragm
6	Screws	19	Lower bush
7	Vent cap	20	Body
8	Upper cover	21	Sensing tube
9	Plastic Washer	22	Seal washer
10	Safety diaphragm	23	Plastic ring
11	Calibrated nozzle	24	Gasket
12	Washer	25	Cover
13	Disc	26	Nut
14	Compensation diaphragm	27	Filter cartridge
		28	Screw cover



Dimension	2"
WEIGHT (kgs)	5,8

GAS GOVERNOR DN65, DN80, DN100 - Pmax 500 mbar



Code	Description	Dimension	Pmax
RGD65	Gas Governor	DN65	500 mbar
RGD80	Gas Governor	DN80	500 mbar
RGD100	Gas Governor	DN100	500 mbar
RGD65 - FT	Gas Governor with filter	DN65	500 mbar
RGD80 - FT	Gas Governor with filter	DN80	500 mbar
RGD100 - FT	Gas Governor with filter	DN100	500 mbar
RGD65 - TPIO	Gas Governor with test point in/out	DN65	500 mbar
RGD80 - TPIO	Gas Governor with test point in/out	DN80	500 mbar
RGD100 - TPIO	Gas Governor with test point in/out	DN100	500 mbar
RGD65 - FT - TPIO	Gas Governor with filter and test point in/out	DN65	500 mbar
RGD80 - FT - TPIO	Gas Governor with filter and test point in/out	DN80	500 mbar
RGD100 - FT - TPIO	Gas Governor with filter and test point in/out	DN100	500 mbar

TECHNICAL FEATURES

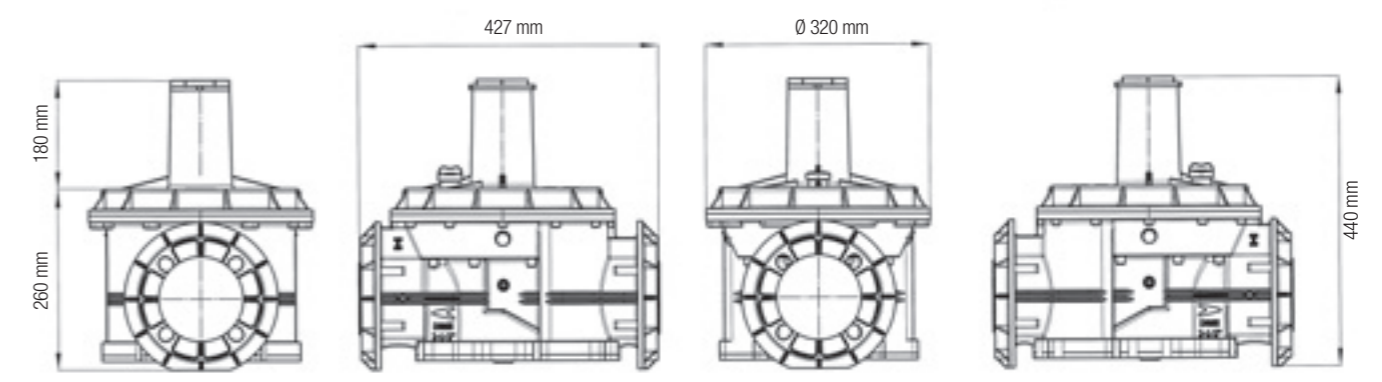
Pmax	inlet max – 500 mbar
Setting outlet	10 – 300 mbar – Standard spring supplied 10 – 27 mbar – Other spring on request
Filtering	≤ 50µm – Viledon cartridge
Inlet - Outlet Connection	Flanged connection DN65 DN80 - DN100 - PN16
Test point	Inlet / outlet on request – Test point 1/8" NPT
Working Temperature	- 20 °C – + 60 °C
Use	Not aggressive gases of three families – Natural Gas – LPG – Town Gas
Approval	UNI EN 88-2:2008

Materials:

Complete Body	Die – Cast Aluminium Gd – AISi12Cu - EN AB 46100
Diaphragms	NBR 60Sh – DvGW EN 549
Plastic components	White POM / Pa 66 + 25% Gf

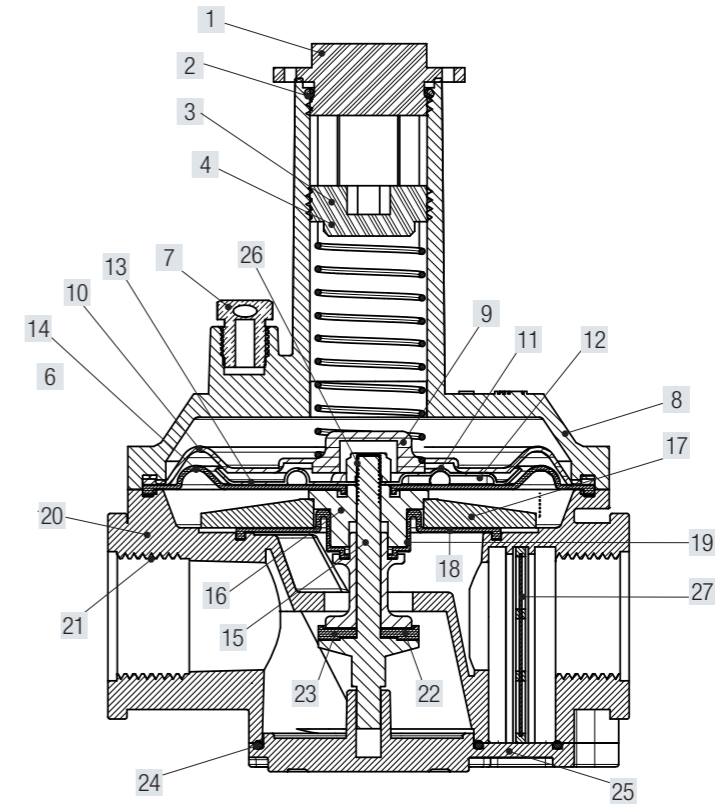
Spring Range:	Color	Range mbar
	White	5 - 14 mbar
	Yellow	6 - 22 mbar
	Neutral	10 - 27 mbar
	Red	28 - 70 mbar
	Black	60 - 130 mbar
	Blue	120 - 300 mbar

1	Seal cap	15	Shaft
2	O ring	16	Upper bush
3	Spring compressor	17	Disc
4	Washer	18	Working diaphragm
6	Screws	19	Lower bush
7	Vent cap	20	Body
8	Upper cover	21	Sensing tube
9	Plastic Washer	22	Seal washer
10	Safety diaphragm	23	Plastic ring
11	Calibrated nozzle	24	Gasket
12	Washer	25	Cover
13	Disc	26	Nut
14	Compensation diaphragm	27	Filter cartridge
		28	Screw cover



Dimension	DN65	DN80	DN100
WEIGHT (kgs)	16	15,3	14,6

GAS GOVERNOR 1/2", 3/4" and 1" – Pmax 1 bar



Code	Description	Dimension	Pmax
RG015-1B	Gas Governor	1/2"	1 bar
RG020-1B	Gas Governor	3/4"	1 bar
RG025-1B	Gas Governor	1"	1 bar
RGD25-1B	Gas Governor	DN25	1 bar
RG015-FT-1B	Gas Governor with filter	1/2"	1 bar
RG020-FT-1B	Gas Governor with filter	3/4"	1 bar
RG025-FT-1B	Gas Governor with filter	1"	1 bar
RGD25-FT-1B	Gas Governor with filter	DN25	1 bar
RG015-1B-TPIO	Gas Governor with test point in/out	1/2"	1 bar
RG020-1B-TPIO	Gas Governor with test point in/out	3/4"	1 bar
RG025-1B-TPIO	Gas Governor with test point in/out	1"	1 bar
RG015-FT-1B-TPIO	Gas Governor with filter and test point in/out	1/2"	1 bar
RG020-FT-1B-TPIO	Gas Governor with filter and test point in/out	3/4"	1 bar
RG025-FT-1B-TPIO	Gas Governor with filter and test point in/out	1"	1 bar

TECHNICAL FEATURES

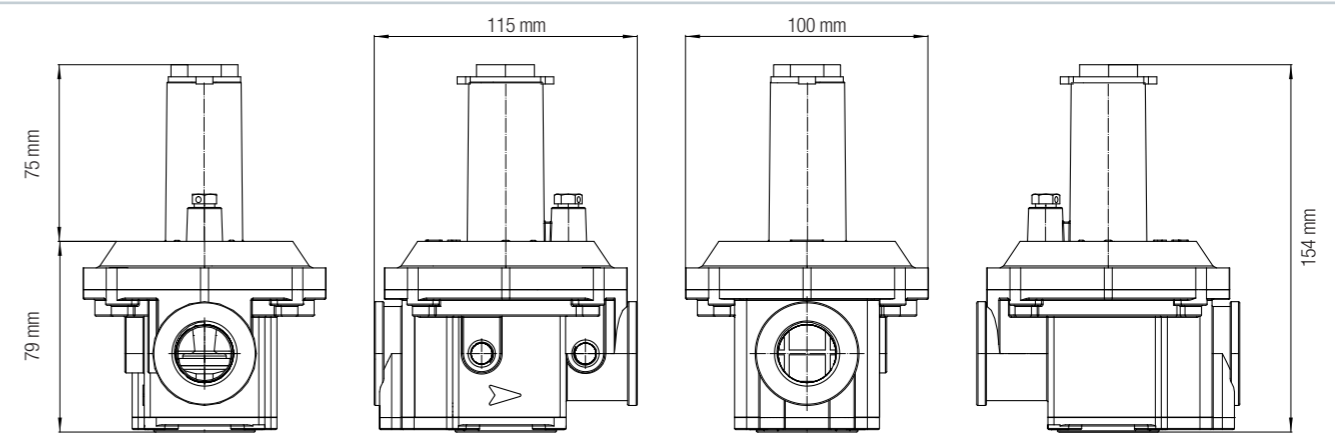
Pmax	inlet max – 1 mbar
Setting outlet	10 – 300 mbar – Standard spring supplied 10 – 27 mbar – Other spring on request – Range as per below table
Filtering	≤ 50µm –
Inlet - Outlet Connection	Thread gas 1/2", 3/4" 1" - ISO 228 DN25 - Sliding Aluminium flange PN10
Test point	1/8" NPT
Working Temperature	- 20 °C – + 60 °C
Use	Not aggressive gases of three families – Natural Gas – LPG – Town Gas
Approval	UNI EN 88-2:2008

Materials:

Complete Body	Die – Cast Aluminium Gd – AISi12Cu - EN AB 46100
Diaphragms	NBR 60Sh – DvGW EN 549
Plastic components	Yellow POM / Pa 66 + 25% Gf

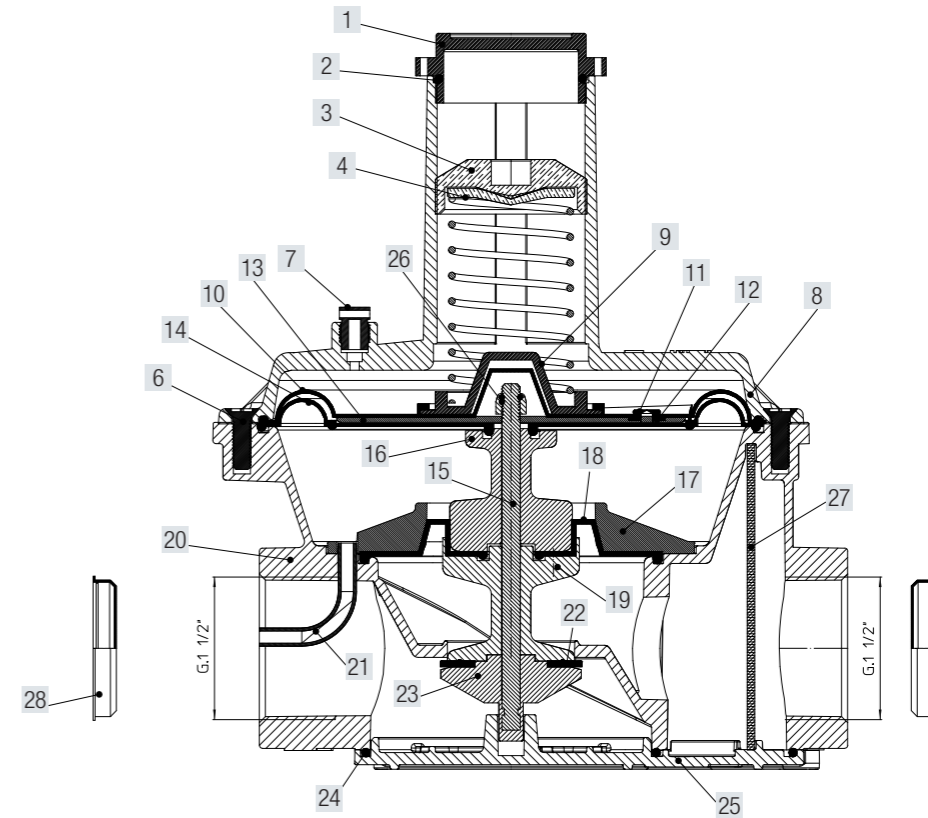
Code:	Color	Range mbar
SPY1-12	Yellow	6 - 22 mbar
SPN1-12	Neutral	10 - 27 mbar
SPR1-12	Red	28 - 70 mbar

1	Seal cap	15	Shaft
2	O ring	16	Upper bush
3	Spring compressor	17	Disc
4	Washer	18	Working diaphragm
6	Screws	19	Lower bush
7	Vent cap	20	Body
8	Upper cover	21	Sensing tube
9	Plastic Washer	22	Seal washer
10	Safety diaphragm	23	Plastic ring
11	Calibrated nozzle	24	Gasket
12	Washer	25	Cover
13	Disc	26	Nut
14	Compensation diaphragm	27	Filter cartridge



Dimension	1/2"	3/4"	1"
WEIGHT (kgs)	0,720	0,688	0,663

GAS GOVERNOR 1 ¼", 1 ½" – Pmax 1 bar



Code	Description	Dimension	Pmax
RG032-1B	Gas Governor	1 ¼"	1 bar
RG040-1B	Gas Governor	1 ½"	1 bar
RGD32-1B	Gas Governor	DN32	1 bar
RGD40-1B	Gas Governor	DN40	1 bar
RG032-FT-1B	Gas Governor with filter	1 ¼"	1 bar
RG040-FT-1B	Gas Governor with filter	1 ½"	1 bar
RGD32-FT-1B	Gas Governor with filter	DN32	1 bar
RGD40-FT-1B	Gas Governor with filter	DN40	1 bar
RG032-1B-TPIO	Gas Governor with test point in/out	1 ¼"	1 bar
RG040-1B-TPIO	Gas Governor with test point in/out	1 ½"	1 bar
RGD32-1B-TPIO	Gas Governor with test point in/out	DN32	1 bar
RGD40-1B-TPIO	Gas Governor with test point in/out	DN40	1 bar
RG032-FT-1B-TPIO	Gas Governor with filter and test point in/out	1 ¼"	1 bar
RG040-FT-1B-TPIO	Gas Governor with filter and test point in/out	1 ½"	1 bar
RGD32-FT-1B-TPIO	Gas Governor with filter and test point in/out	DN32	1 bar
RGD40-FT-1B-TPIO	Gas Governor with filter and test point in/out	DN40	1 bar

TECHNICAL FEATURES

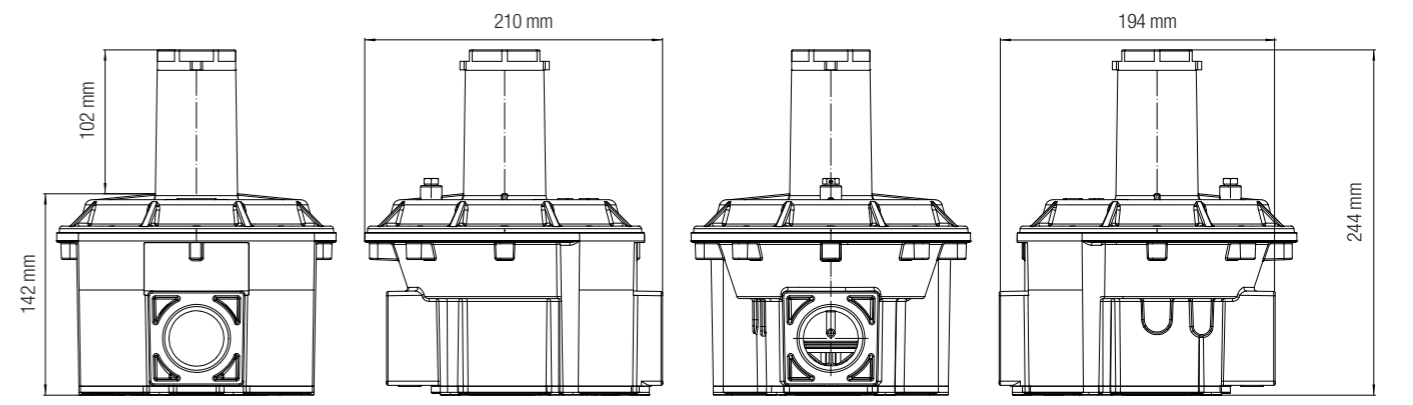
Pmax	inlet max – 1 bar
Setting outlet	10 – 300 mbar – Standard spring supplied 10 – 27 mbar – Other spring on request – Range as per below table
Filtering	≤ 50µm – Viledon cartridge
Inlet - Outlet Connection	Thread gas 1 ¼" 1 ½" - ISO 228 DN32 DN40 - Sliding Aluminium flange PN10
Test point	1/8" NPT
Working Temperature	- 20 °C – + 60 °C
Use	Not aggressive gases of three families – Natural Gas – LPG – Town Gas
Approval	UNI EN 88-2:2008

Materials:

Complete Body	Die – Cast Aluminium Gd – AISi12Cu - EN AB 46100
Diaphragms	NBR 60Sh – DvGW EN 549
Plastic components	White POM / Pa 66 + 25% Gf

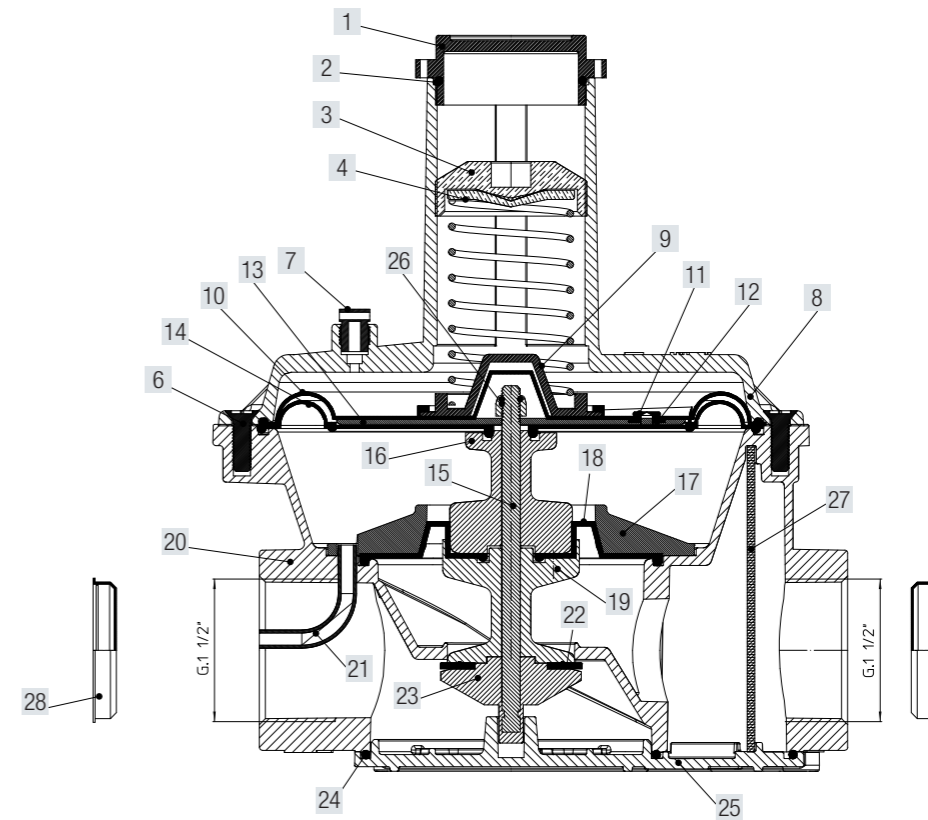
Code:	Color	Range mbar
SPY2-12	Yellow	6 - 22 mbar
SPN2-12	Neutral	10 - 27 mbar
SPR2-12	Red	28 - 70 mbar
SPBK2-12	Black	60 - 130 mbar

1	Seal cap	15	Shaft
2	O ring	16	Upper bush
3	Spring compressor	17	Disc
4	Washer	18	Working diaphragm
6	Screws	19	Lower bush
7	Vent cap	20	Body
8	Upper cover	21	Sensing tube
9	Plastic Washer	22	Seal washer
10	Safety diaphragm	23	Plastic ring
11	Calibrated nozzle	24	Gasket
12	Washer	25	Cover
13	Disc	26	Nut
14	Compensation diaphragm	27	Filter cartridge
		28	Screw cover



Dimension	1 ¼"	1 ½"
WEIGHT (kgs)	3,140	3,060

GAS GOVERNOR 2" – Pmax 1 bar



Code	Description	Dimension	Pmax
RG050-1B	Gas Governor	2"	1 bar
RGD50-1B	Gas Governor	DN50	1 bar
RG050-FT-1B	Gas Governor with filter	2"	1 bar
RGD50-FT-1B	Gas Governor with filter	DN50	1 bar
RG050-1B-TPIO	Gas Governor with test point in/out	2"	1 bar
RGD50-1B-TPIO	Gas Governor with test point in/out	DN50	1 bar
RG050-FT-1B-TPIO	Gas Governor with filter and test point in/out	2"	1 bar
RGD50-FT-1B-TPIO	Gas Governor with filter and test point in/out	DN50	1 bar

TECHNICAL FEATURES

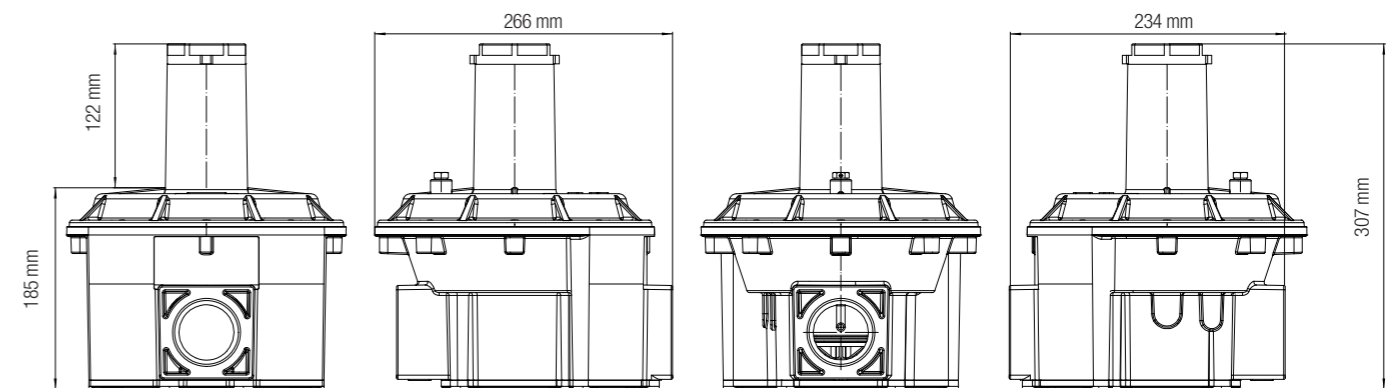
Pmax	inlet max – 1 bar
Setting outlet	10 – 300 mbar – Standard spring supplied 10 – 27 mbar – Other spring on request – Range as per below table
Filtering	≤ 50µm – Viledon cartridge
Inlet - Outlet Connection	Thread gas 2" - ISO 228 DN50 - Sliding Aluminium flange PN10
Test point	1/8" NPT
Working Temperature	- 20 °C – + 60 °C
Use	Not aggressive gases of three families – Natural Gas – LPG – Town Gas
Approval	UNI EN 88-2:2008

Materials:

Complete Body	Die – Cast Aluminium Gd – AISi12Cu - EN AB 46100
Diaphragms	NBR 60Sh – DvGW EN 549
Plastic components	White POM / Pa 66 + 25% Gf

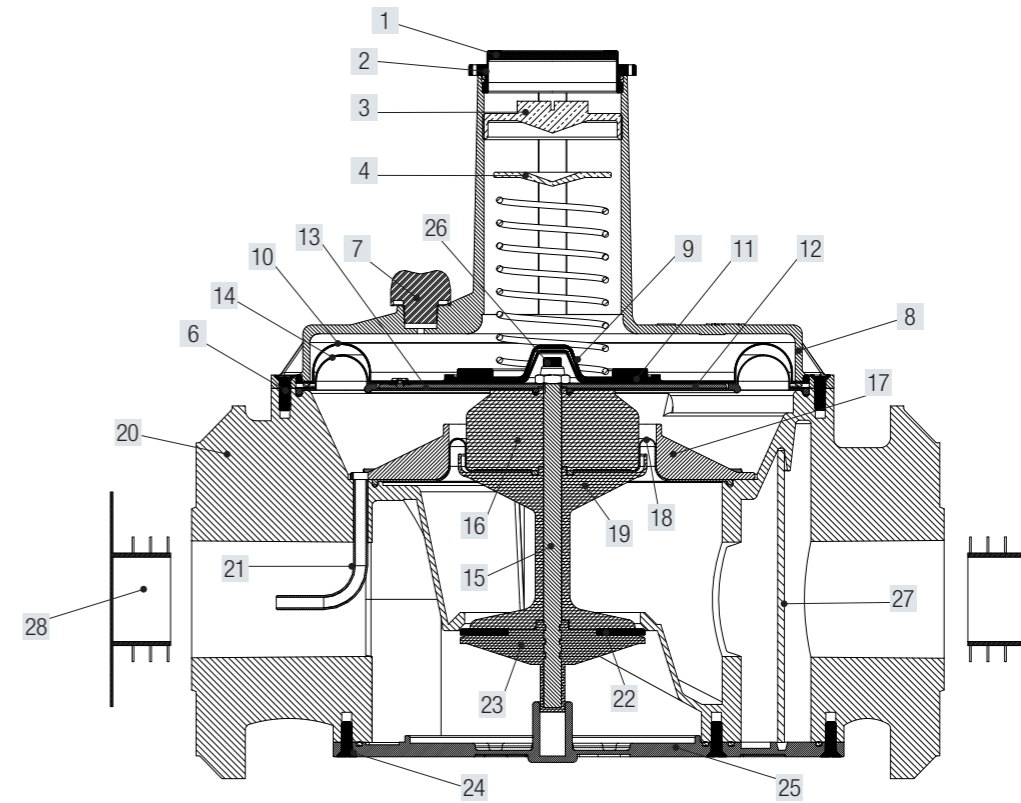
Code:	Color	Range mbar
SPY3-12	Yellow	6 - 22 mbar
SPN3-12	Neutral	10 - 27 mbar
SPR3-12	Red	28 - 70 mbar
SPBK3-12	Black	60 - 130 mbar

1	Seal cap	15	Shaft
2	O ring	16	Upper bush
3	Spring compressor	17	Disc
4	Washer	18	Working diaphragm
6	Screws	19	Lower bush
7	Vent cap	20	Body
8	Upper cover	21	Sensing tube
9	Plastic Washer	22	Seal washer
10	Safety diaphragm	23	Plastic ring
11	Calibrated nozzle	24	Gasket
12	Washer	25	Cover
13	Disc	26	Nut
14	Compensation diaphragm	27	Filter cartridge
		28	Screw cover



Dimension	2"
WEIGHT (kgs)	5,8

GAS GOVERNOR DN65, DN80, DN100 - Pmax 1 bar



Code	Description	Dimension	Pmax
RGD65 - 1B	Gas Governor	DN65	1 bar
RGD80 - 1B	Gas Governor	DN80	1 bar
RGD100 - 1B	Gas Governor	DN100	1 bar
RGD65 - FT - 1B	Gas Governor with filter	DN65	1 bar
RGD80 - FT - 1B	Gas Governor with filter	DN80	1 bar
RGD100 - FT - 1B	Gas Governor with filter	DN100	1 bar
RGD65 - 1B - TPIO	Gas Governor with test point in/out	DN65	1 bar
RGD80 - 1B - TPIO	Gas Governor with test point in/out	DN80	1 bar
RGD100 - 1B - TPIO	Gas Governor with test point in/out	DN100	1 bar
RGD65 - FT - 1B - TPIO	Gas Governor with filter and test point in/out	DN65	1 bar
RGD80 - FT - 1B - TPIO	Gas Governor with filter and test point in/out	DN80	1 bar
RGD100 - FT - 1B - TPIO	Gas Governor with filter and test point in/out	DN100	1 bar

TECHNICAL FEATURES

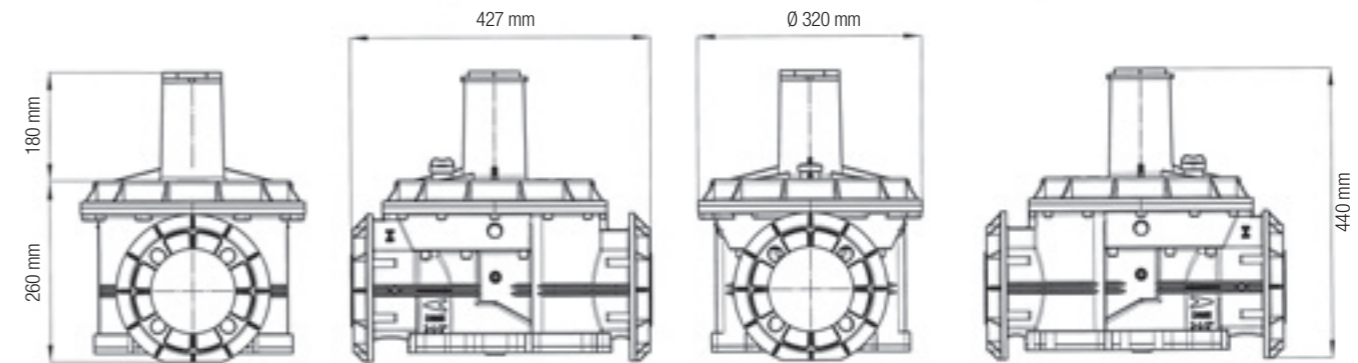
Pmax	inlet max – 1 bar
Setting outlet	10 – 300 mbar – Standard spring supplied 10 – 27 mbar – Other spring on request
Filtering	≤ 50µm – Viledon cartridge
Inlet - Outlet Connection	Flanged connection DN65 DN80 - DN100 - PN16
Test point	Inlet / outlet on request – Test point 1/8" NPT
Working Temperature	- 20 °C – + 60 °C
Use	Not aggressive gases of three families – Natural Gas – LPG – Town Gas
Approval	UNI EN 88-2:2008

Materials:

Complete Body	Die – Cast Aluminium Gd – AISi12Cu - EN AB 46100
Diaphragms	NBR 60Sh – DvGW EN 549
Plastic components	White POM / Pa 66 + 25% Gf

Spring Range:	Color	Range mbar
	White	5 - 14 mbar
	Yellow	6 - 22 mbar
	Neutral	10 - 27 mbar
	Red	28 - 70 mbar
	Black	60 - 130 mbar

1	Seal cap	15	Shaft
2	O-Ring	16	Upper bush
3	Spring compressor	17	Disc
4	Washer	18	Working diaphragm
6	Screws	19	Lower bush
7	Vent cap	20	Body
8	Upper cover	21	Sensing tube
9	Plastic Washer	22	Seal washer
10	Safety diaphragm	23	Plastic ring
11	Calibrated nozzle	24	Gasket
12	Washer	25	Cover
13	Disc	26	Nut
14	Compensation diaphragm	27	Filter cartridge
		28	Screw cover



Dimension	DN65	DN80	DN100
WEIGHT (kgs)	16	15,3	14,6

GAS GOVERNOR 1/2", 3/4" and 1" – Pmax 2 bar

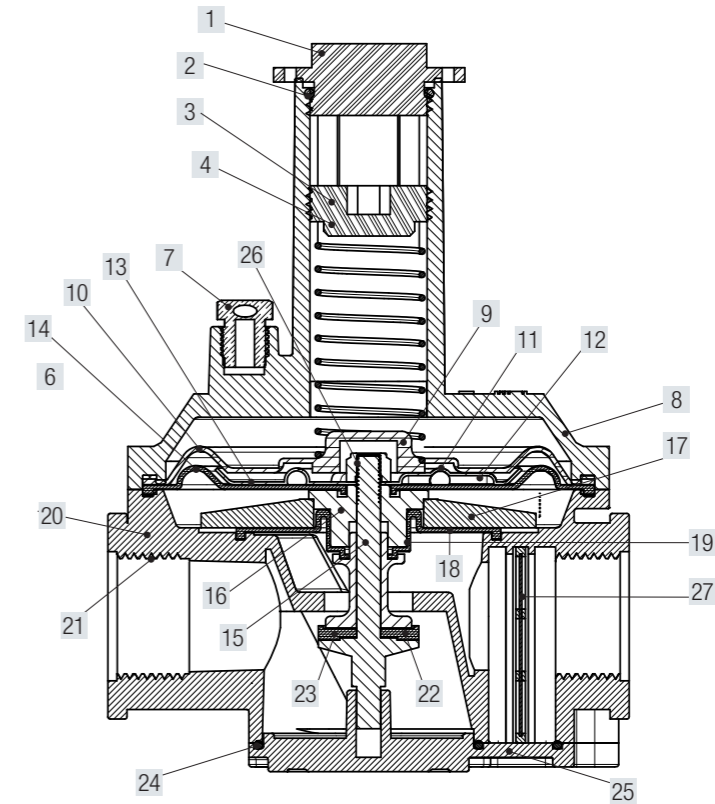


Code	Description	Dimension	Pmax
RG015-2B	Gas Governor	1/2"	2 bar
RG020-2B	Gas Governor	3/4"	2 bar
RG025-2B	Gas Governor	1"	2 bar
RGD25-2B	Gas Governor	1"	2 bar
RG015-FT-2B	Gas Governor with filter	1/2"	2 bar
RG020-FT-2B	Gas Governor with filter	3/4"	2 bar
RG025-FT-2B	Gas Governor with filter	1"	2 bar
RGD25-FT-2B	Gas Governor with filter	DN25	2 bar
RG015-2B-TPIO	Gas Governor with test point in/out	1/2"	2 bar
RG020-2B-TPIO	Gas Governor with test point in/out	3/4"	2 bar
RG025-2B-TPIO	Gas Governor with test point in/out	1"	2 bar
RG015-FT-2B-TPIO	Gas Governor with filter and test point in/out	1/2"	2 bar
RG020-FT-2B-TPIO	Gas Governor with filter and test point in/out	3/4"	2 bar
RG025-FT-2B-TPIO	Gas Governor with filter and test point in/out	1"	2 bar

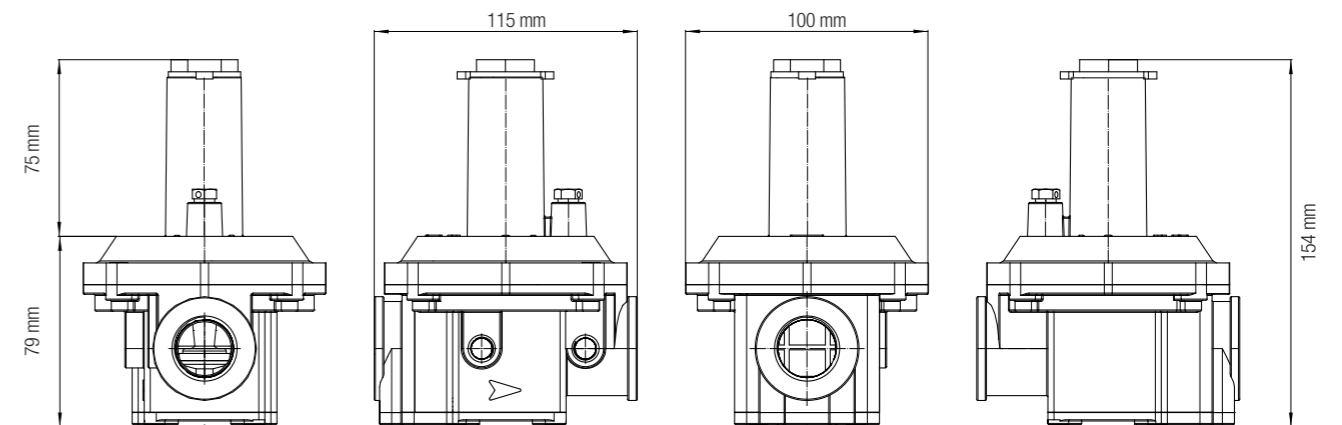
TECHNICAL FEATURES

Pmax	inlet max – 2 bar
Setting outlet	10 – 300 mbar – Standard spring supplied 10 – 27 mbar – Other spring on request – Range as per below table
Filtering	≤ 50µm –
Inlet - Outlet Connection	Thread gas 1/2", 3/4" 1" - ISO 228 DN25 - Sliding Aluminium flange PN10
Test point	1/8" NPT
Working Temperature	- 20 °C – + 60 °C
Use	Not aggressive gases of three families – Natural Gas – LPG – Town Gas
Approval	UNI EN 88-2:2008
Materials:	
Complete Body	Die – Cast Aluminium Gd – AISi12Cu - EN AB 46100
Diaphragms	NBR 60Sh – DvGW EN 549
Plastic components	Yellow POM / Pa 66 + 25% Gf

Code:	Color	Range mbar
SPY1-12	Yellow	6 - 22 mbar
SPN1-12	Neutral	10 - 27 mbar
SPR1-12	Red	28 - 70 mbar

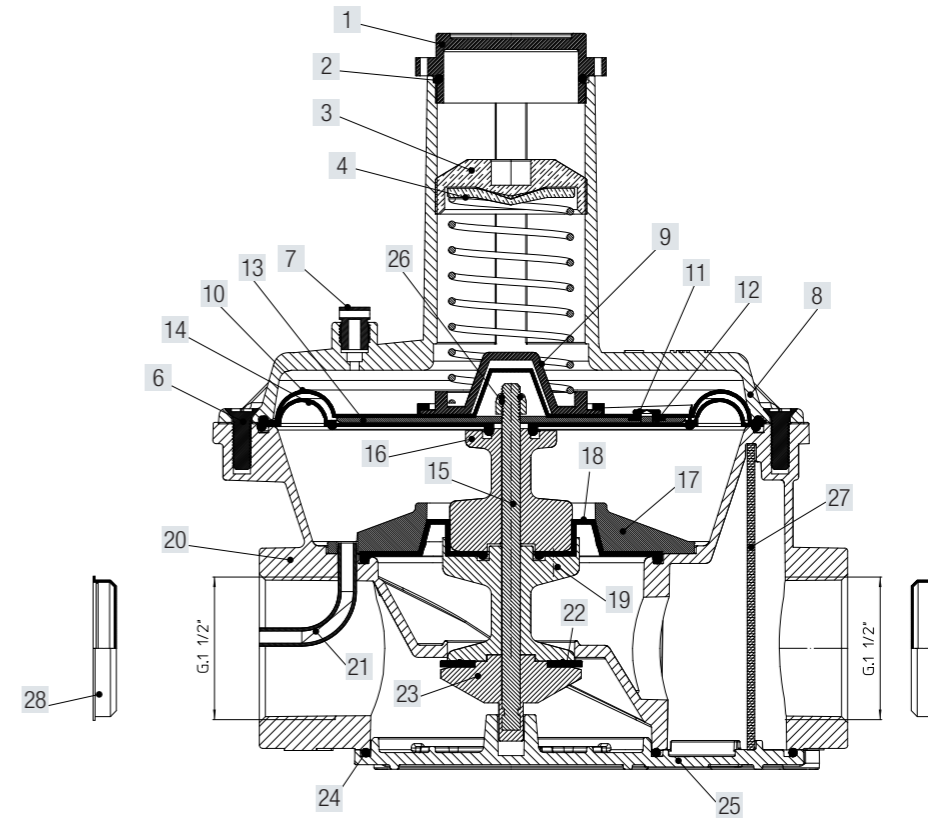


1	Seal cap	15	Shaft
2	O ring	16	Upper bush
3	Spring compressor	17	Disc
4	Washer	18	Working diaphragm
6	Screws	19	Lower bush
7	Vent cap	20	Body
8	Upper cover	21	Sensing tube
9	Plastic Washer	22	Seal washer
10	Safety diaphragm	23	Plastic ring
11	Calibrated nozzle	24	Gasket
12	Washer	25	Cover
13	Disc	26	Nut
14	Compensation diaphragm	27	Filter cartridge



Dimension	1/2"	3/4"	1"
WEIGHT (kgs)	0,720	0,688	0,663

GAS GOVERNOR 1 ¼", 1 ½" – Pmax 2 bar



Code	Description	Dimension	Pmax
RG032-2B	Gas Governor	1 ¼"	2 bar
RG040-2B	Gas Governor	1 ½"	2 bar
RGD32-2B	Gas Governor	DN32	2 bar
RGD40-2B	Gas Governor	DN40	2 bar
RG032-FT-2B	Gas Governor with filter	1 ¼"	2 bar
RG040-FT-2B	Gas Governor with filter	1 ½"	2 bar
RGD32-FT-2B	Gas Governor with filter	DN32	2 bar
RGD40-FT-2B	Gas Governor with filter	DN40	2 bar
RG032-2B-TPIO	Gas Governor with test point in/out	1 ¼"	2 bar
RG040-2B-TPIO	Gas Governor with test point in/out	1 ½"	2 bar
RGD32-2B-TPIO	Gas Governor with test point in/out	DN32	2 bar
RGD40-2B-TPIO	Gas Governor with test point in/out	DN40	2 bar
RG032-FT-2B-TPIO	Gas Governor with filter test point in/out	1 ¼"	2 bar
RG040-FT-2B-TPIO	Gas Governor with filter test point in/out	1 ½"	2 bar
RGD32-FT-2B-TPIO	Gas Governor with filter test point in/out	DN32	2 bar
RGD40-FT-2B-TPIO	Gas Governor with filter test point in/out	DN40	2 bar

TECHNICAL FEATURES

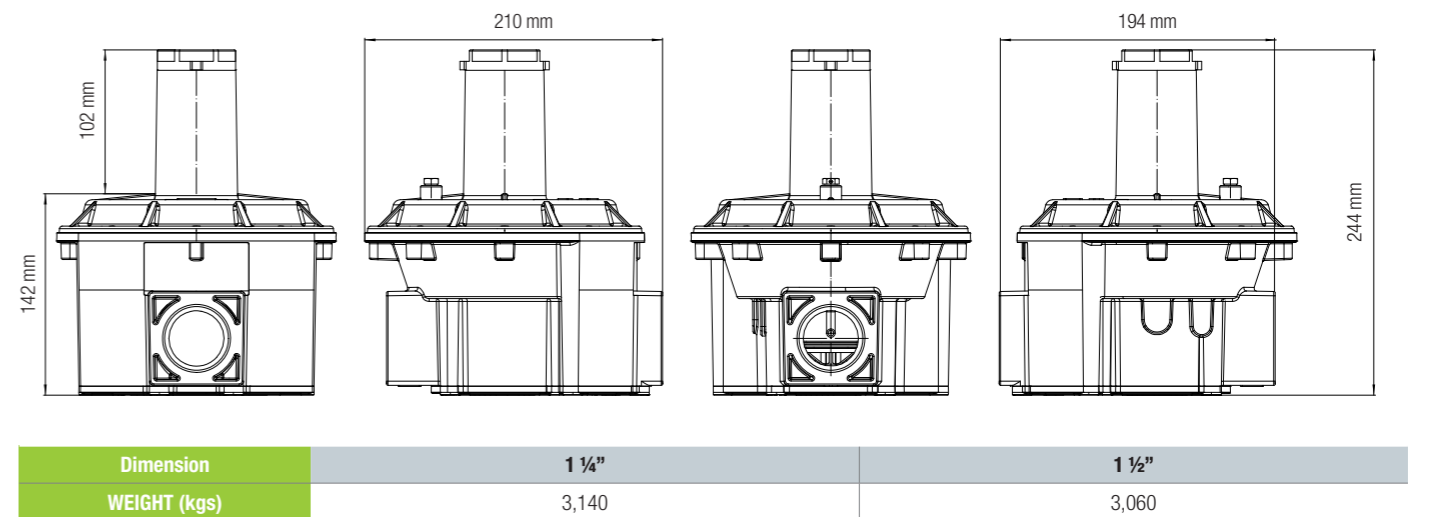
Pmax	inlet max – 2 bar
Setting outlet	10 – 300 mbar – Standard spring supplied 10 – 27 mbar – Other spring on request – Range as per below table
Filtering	≤ 50µm – Viledon cartridge
Inlet - Outlet Connection	Thread gas 1 ¼" 1 ½" - ISO 228 DN32 DN40 - Sliding Aluminium flange PN10
Test point	1/8" NPT
Working Temperature	- 20 °C – + 60 °C
Use	Not aggressive gases of three families – Natural Gas – LPG – Town Gas
Approval	UNI EN 88-2:2008

Materials:

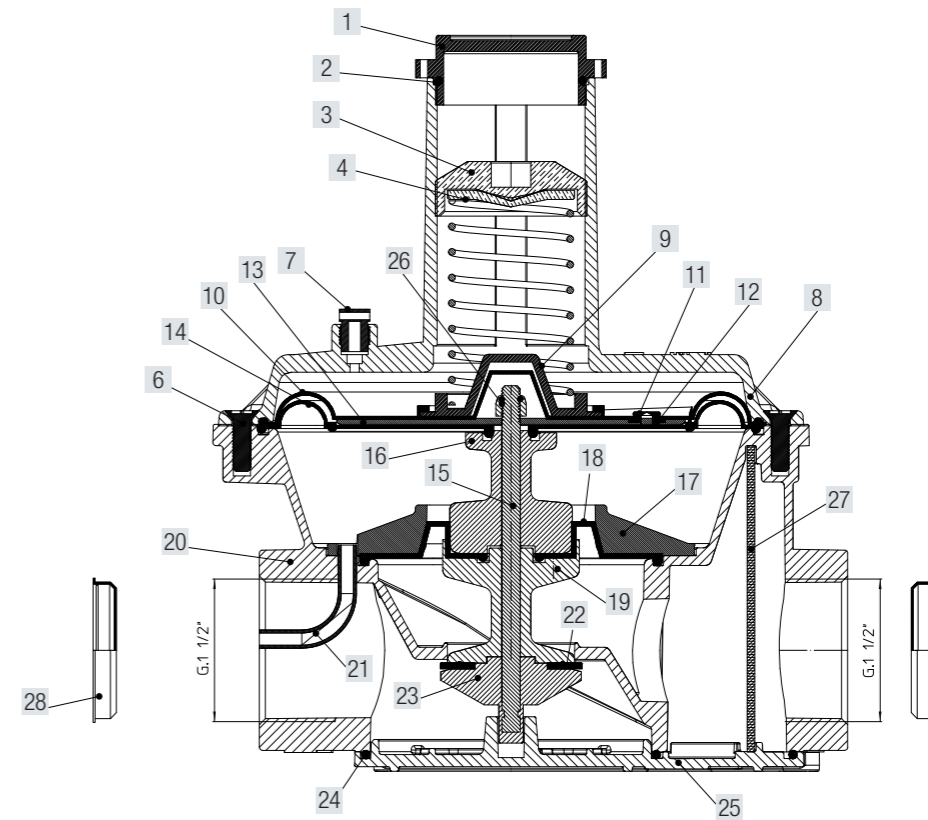
Complete Body	Die – Cast Aluminium Gd – AISI12Cu - EN AB 46100
Diaphragms	NBR 60Sh – DvGW EN 549
Plastic components	White POM / Pa 66 + 25% Gf

Code:	Color	Range mbar
SPY2-12	Yellow	6 - 22 mbar
SPN2-12	Neutral	10 - 27 mbar
SPR2-12	Red	28 - 70 mbar
SPBK2-12	Black	60 - 130 mbar

1	Seal cap	15	Shaft
2	O ring	16	Upper bush
3	Spring compressor	17	Disc
4	Washer	18	Working diaphragm
6	Screws	19	Lower bush
7	Vent cap	20	Body
8	Upper cover	21	Sensing tube
9	Plastic Washer	22	Seal washer
10	Safety diaphragm	23	Plastic ring
11	Calibrated nozzle	24	Gasket
12	Washer	25	Cover
13	Disc	26	Nut
14	Compensation diaphragm	27	Filter cartridge
		28	Screw cover



GAS GOVERNOR 2" – Pmax 2 bar



Code	Description	Dimension	Pmax
RG050-2B	Gas Governor	2"	2 bar
RGD50-2B	Gas Governor	DN50	2 bar
RG050-FT-2B	Gas Governor with filter	2"	2 bar
RGD50-FT-2B	Gas Governor with filter	DN50	2 bar
RG050-2B-TPIO	Gas Governor with test point in/out	2"	2 bar
RGD50-2B-TPIO	Gas Governor with test point in/out	DN50	2 bar
RG050-FT-2B-TPIO	Gas Governor with filter and test point in/out	2"	2 bar
RGD50-FT-2B-TPIO	Gas Governor with filter and test point in/out	DN50	2 bar

TECHNICAL FEATURES

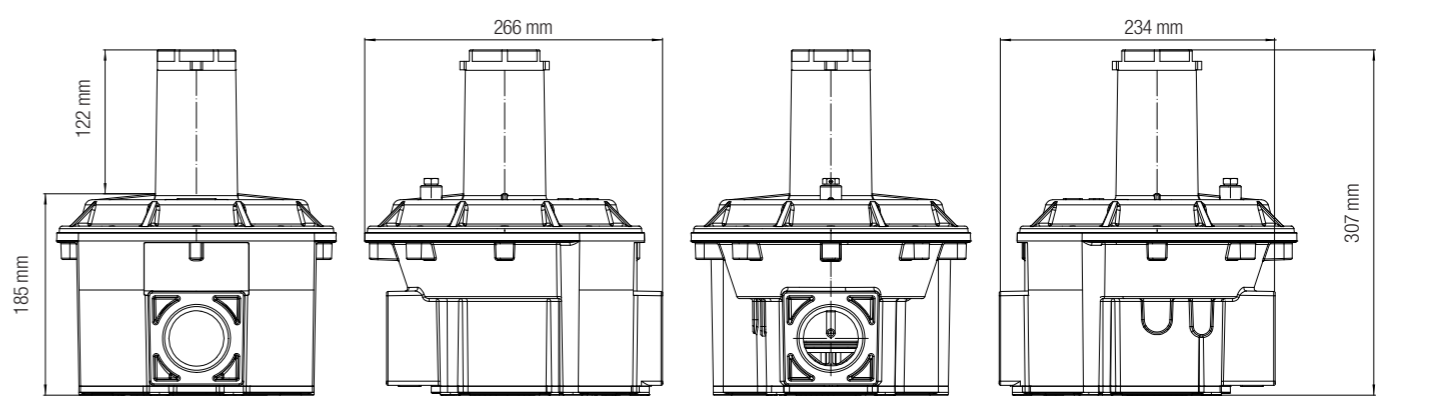
Pmax	inlet max – 2 bar
Setting outlet	10 – 300 mbar – Standard spring supplied 10 – 27 mbar – Other spring on request – Range as per below table
Filtering	≤ 50µm – Viledon cartridge
Inlet - Outlet Connection	Thread gas 2" - ISO 228 DN50 - Sliding Aluminium flange PN10
Test point	1/8" NPT
Working Temperature	- 20 °C – + 60 °C
Use	Not aggressive gases of three families – Natural Gas – LPG – Town Gas
Approval	UNI EN 88-2:2008

Materials:

Complete Body	Die – Cast Aluminium Gd – AISi12Cu - EN AB 46100
Diaphragms	NBR 60Sh – DvGW EN 549
Plastic components	White POM / Pa 66 + 25% Gf

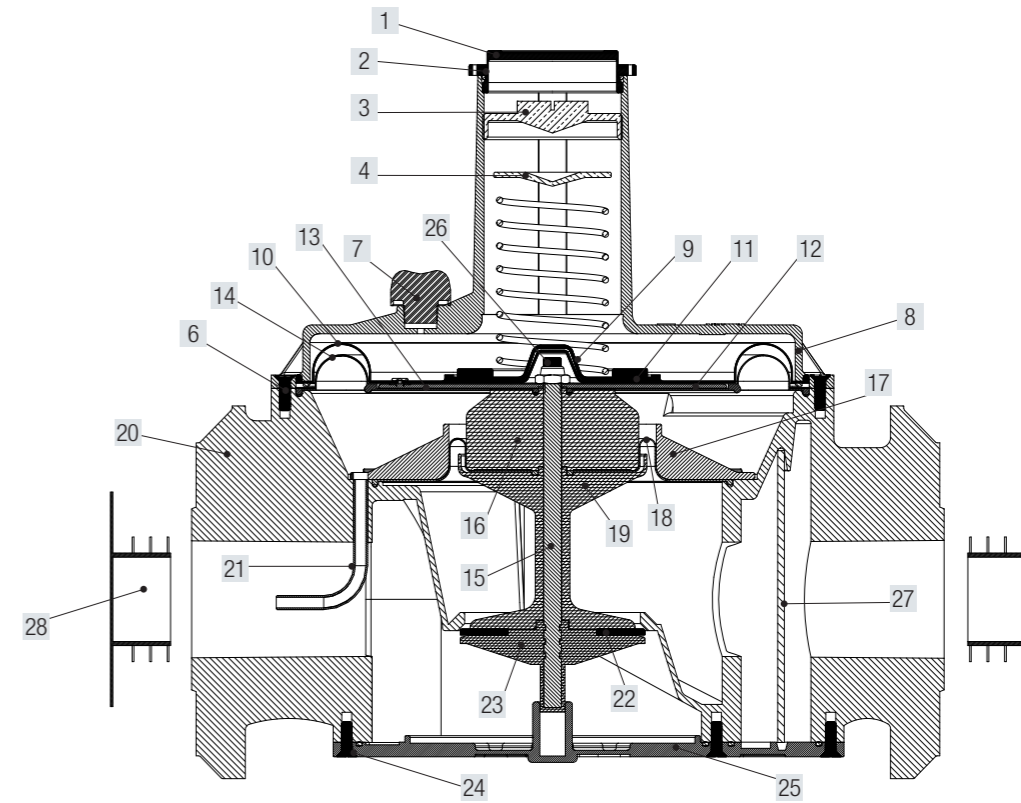
Code:	Color	Range mbar
SPY3-12	Yellow	6 - 22 mbar
SPN3-12	Neutral	10 - 27 mbar
SPR3-12	Red	28 - 70 mbar
SPBK3-12	Black	60 - 130 mbar

1	Seal cap	15	Shaft
2	O ring	16	Upper bush
3	Spring compressor	17	Disc
4	Washer	18	Working diaphragm
6	Screws	19	Lower bush
7	Vent cap	20	Body
8	Upper cover	21	Sensing tube
9	Plastic Washer	22	Seal washer
10	Safety diaphragm	23	Plastic ring
11	Calibrated nozzle	24	Gasket
12	Washer	25	Cover
13	Disc	26	Nut
14	Compensation diaphragm	27	Filter cartridge
		28	Screw cover



Dimension	2"
WEIGHT (kgs)	5,8

GAS GOVERNOR DN65, DN80, DN100 - Pmax 2 bar



Code	Description	Dimension	Pmax
RGD65 - 2B	Gas Governor	DN65	2 bar
RGD80 - 2B	Gas Governor	DN80	2 bar
RGD100 - 2B	Gas Governor	DN100	2 bar
RGD65 - FT - 2B	Gas Governor with filter	DN65	2 bar
RGD80 - FT - 2B	Gas Governor with filter	DN80	2 bar
RGD100 - FT - 2B	Gas Governor with filter	DN100	2 bar
RGD65 - 2B - TPIO	Gas Governor with test point in/out	DN65	2 bar
RGD80 - 2B - TPIO	Gas Governor with test point in/out	DN80	2 bar
RGD100 - 2B - TPIO	Gas Governor with test point in/out	DN100	2 bar
RGD65 - FT - 2B - TPIO	Gas Governor with filter and test point in/out	DN65	2 bar
RGD80 - FT - 2B - TPIO	Gas Governor with filter and test point in/out	DN80	2 bar
RGD100 - FT - 2B - TPIO	Gas Governor with filter and test point in/out	DN100	2 bar

TECHNICAL FEATURES

Pmax	inlet max – 2 bar
Setting outlet	10 – 300 mbar – Standard spring supplied 10 – 27 mbar – Other spring on request
Filtering	≤ 50µm – Viledon cartridge
Inlet - Outlet Connection	Flanged connection DN65 DN80 - DN100 - PN16
Test point	Inlet / outlet on request – Test point 1/8" NPT
Working Temperature	- 20 °C – + 60 °C
Use	Not aggressive gases of three families – Natural Gas – LPG – Town Gas
Approval	UNI EN 88-2:2008

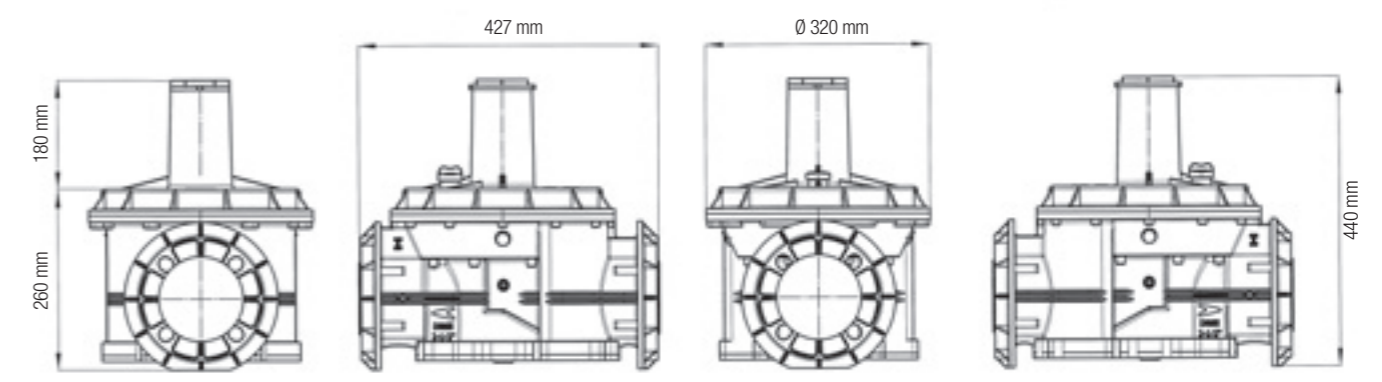
Materials:

Complete Body	Die – Cast Aluminium Gd – AISi12Cu - EN AB 46100
Diaphragms	NBR 60Sh – DvGW EN 549
Plastic components	White POM / Pa 66 + 25% Gf

Spring Range:

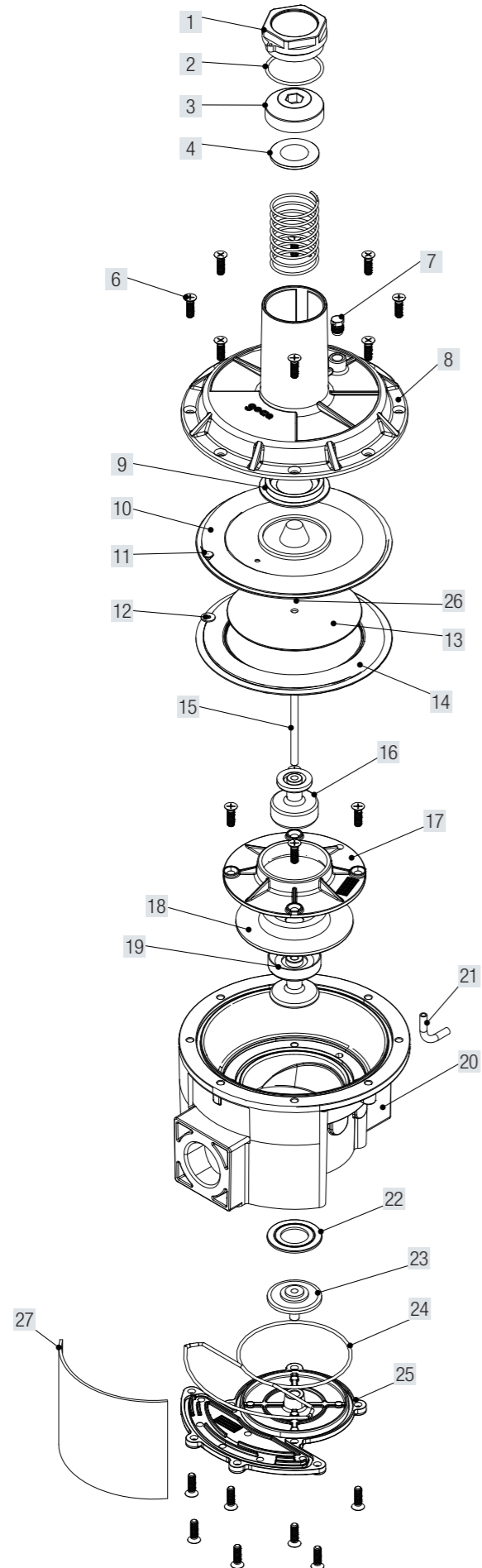
Color	Range mbar
White	5 - 14 mbar
Yellow	6 - 22 mbar
Neutral	10 - 27 mbar
Red	28 - 70 mbar
Black	60 - 130 mbar

1	Seal cap	15	Shaft
2	O-Ring	16	Upper bush
3	Spring compressor	17	Disc
4	Washer	18	Working diaphragm
6	Screws	19	Lower bush
7	Vent cap	20	Body
8	Upper cover	21	Sensing tube
9	Plastic Washer	22	Seal washer
10	Safety diaphragm	23	Plastic ring
11	Calibrated nozzle	24	Gasket
12	Washer	25	Cover
13	Disc	26	Nut
14	Compensation diaphragm	27	Filter cartridge
		28	Screw cover



Dimension	DN65	DN80	DN100
WEIGHT (kgs)	16	15,3	14,6

ASSEMBLY OVERVIEW



- 1 Seal cap
- 2 O ring
- 3 Spring compressor
- 4 Washer
- 6 Screws
- 7 Vent cap
- 8 Upper cover
- 9 Plastic Washer
- 10 Safety diaphragm
- 11 Calibrated nozzle
- 12 Washer
- 13 Disc
- 14 Compensation diaphragm
- 15 Shaft
- 16 Upper bush
- 17 Disc
- 18 Working diaphragm
- 19 Lower bush
- 20 Body
- 21 Sensing tube
- 22 Seal washer
- 23 Plastic ring
- 24 Gasket
- 25 Cover
- 26 Nut
- 27 Filter cartridge

SPRING RANGE



White spring – Range 5 – 14 mbar

Gas governor pmax 500 mbar

SPW1-5	RG015 - RG020 - RG025
SPW2-5	RG032 - RG040
SPW3-5	RG050
SPW4-5	RGD65 - RGD80 - RGD100

Gas governor 1 bar – 2 bar

SPW1 – 12	RG015 - 1B/2B – RG020 - 1B/2B – RG025 - 1B/2B
SPW2 – 12	RG032 - 1B/2B – RG040 - 1B/2B
SPW3 – 12	RG050 - 1B/2B
SPW4 – 12	RGD65 - 1B/2B – RGD80 - 1B/2B – RGD100 - 1B/2B

Yellow spring – Range 6 – 22 mbar

Gas governor pmax 500 mbar

SPY1-5	RG015 - RG020 - RG025
SPY2-5	RG032 - RG040
SPY3-5	RG050
SPY4-5	RGD65 - RGD80 - RGD100

Gas governor 1 bar – 2 bar

SPY1 – 12	RG015 - 1B/2B – RG020 - 1B/2B – RG025 - 1B/2B
SPY2 – 12	RG032 - 1B/2B – RG040 - 1B/2B
SPY3 – 12	RG050 - 1B/2B
SPY4 – 12	RGD65 - 1B/2B – RGD80 - 1B/2B – RGD100 - 1B/2B

Neutral spring – Range 10 – 27 mbar (Standar spring)

Gas governor pmax 500 mbar

SPN1-5	RG015 - RG020 - RG025
SPN2-5	RG032 - RG040
SPN3-5	RG050
SPN4-5	RGD65 - RGD80 - RGD100

Gas governor 1 bar – 2 bar

SPN1 – 12	RG015 - 1B/2B – RG020 - 1B/2B – RG025 - 1B/2B
SPN2 – 12	RG032 - 1B/2B – RG040 - 1B/2B
SPN3 – 12	RG050 - 1B/2B
SPN4 – 12	RGD65 - 1B/2B – RGD80 - 1B/2B – RGD100 - 1B/2B



Red spring – Range 28 – 70 mbar

Gas governor pmax 500 mbar

SPR1-5	RG015 - RG020 - RG025
SPR2-5	RG032 - RG040
SPR3-5	RG050
SPR4-5	RGD65 - RGD80 - RGD100

Gas governor 1 bar – 2 bar

SPR1 – 12	RG015 - 1B/2B – RG020 - 1B/2B – RG025 - 1B/2B
SPR2 – 12	RG032 - 1B/2B – RG040 - 1B/2B
SPR3 – 12	RG050 - 1B/2B
SPR4 – 12	RGD65 - 1B/2B – RGD80 - 1B/2B – RGD100 - 1B/2B

Black spring – Range 60 – 130 mbar

Gas governor pmax 500 mbar

SPBK1-5	RG015 - RG020 - RG025
SPBK2-5	RG032 - RG040
SPBK3-5	RG050
SPBK4-5	RGD65 - RGD80 - RGD100

Gas governor 1 bar – 2 bar

SPBK2 – 12	RG032 - 1B/2B – RG040 - 1B/2B
SPBK3 – 12	RG050 - 1B/2B
SPBK4 – 12	RGD65 - 1B/2B – RGD80 - 1B/2B – RGD100 - 1B/2B

Blue spring – Range 120 – 300 mbar

Gas governor pmax 500 mbar

SPB1-5	RG015 - RG020 - RG025
SPB2-5	RG032 - RG040
SPB3-5	RG050
SPB4-5	RGD65 - RGD80 - RGD100

Gas governor 1 bar – 2 bar

Actually not available

GAS GOVERNORS - Standar version



Gas Governor - Pmax 500 mbar

Code	Description	Dimension	Pmax
RG015	Gas Governor	½"	500 mbar
RG020	Gas Governor	¾"	500 mbar
RG025	Gas Governor	1"	500 mbar
RGD25	Gas Governor	DN25	500 mbar

RG015-FT	Gas Governor with filter	½"	500 mbar
RG020-FT	Gas Governor with filter	¾"	500 mbar
RG025-FT	Gas Governor with filter	1"	500 mbar
RGD25-FT	Gas Governor with filter	DN25	500 mbar

Code	Description	Dimension	Pmax
RG032	Gas Governor	1 ¼"	500 mbar
RG040	Gas Governor	1 ½"	500 mbar
RGD32	Gas Governor	DN32	500 mbar
RGD40	Gas Governor	DN40	500 mbar

RG032-FT	Gas Governor with filter	1 ¼"	500 mbar
RG040-FT	Gas Governor with filter	1 ½"	500 mbar
RGD32-FT	Gas Governor with filter	DN32	500 mbar
RGD40-FT	Gas Governor with filter	DN40	500 mbar

Code	Description	Dimension	Pmax
RG050	Gas Governor	2"	500 mbar
RGD50	Gas Governor	DN50	500 mbar
RG050-FT	Gas Governor with filter	2"	500 mbar
RGD50-FT	Gas Governor with filter	DN50	500 mbar

Code	Description	Dimension	Pmax
RGD65	Gas Governor	DN65	500 mbar
RGD80	Gas Governor	DN80	500 mbar
RGD100	Gas Governor	DN100	500 mbar
RGD65 - FT	Gas Governor with filter	DN65	500 mbar
RGD80 - FT	Gas Governor with filter	DN80	500 mbar
RGD100 - FT	Gas Governor with filter	DN100	500 mbar

Gas Governor - Pmax 1 bar

Code	Description	Dimension	Pmax
RG015-1B	Gas Governor	½"	1 bar
RG020-1B	Gas Governor	¾"	1 bar
RG025-1B	Gas Governor	1"	1 bar
RGD25-1B	Gas Governor	DN25	1 bar

RG015-FT-1B	Gas Governor with filter	½"	1 bar
RG020-FT-1B	Gas Governor with filter	¾"	1 bar
RG025-FT-1B	Gas Governor with filter	1"	1 bar
RGD25-FT-1B	Gas Governor with filter	DN25	1 bar

Code	Description	Dimension	Pmax
RG032-1B	Gas Governor	1 ¼"	1 bar
RG040-1B	Gas Governor	1 ½"	1 bar
RGD32-1B	Gas Governor	DN32	1 bar
RGD40-1B	Gas Governor	DN40	1 bar

RG032-FT-1B	Gas Governor with filter	1 ¼"	1 bar
RG040-FT-1B	Gas Governor with filter	1 ½"	1 bar
RGD32-FT-1B	Gas Governor with filter	DN32	1 bar
RGD40-FT-1B	Gas Governor with filter	DN40	1 bar

Code	Description	Dimension	Pmax
RG050-1B	Gas Governor	2"	1 bar
RGD50-1B	Gas Governor	DN50	1 bar

RG050-FT-1B	Gas Governor with filter	2"	1 bar
RGD50-FT-1B	Gas Governor with filter	DN50	1 bar

Code	Description	Dimension	Pmax
RGD65 - 1B	Gas Governor	DN65	1 bar
RGD80 - 1B	Gas Governor	DN80	1 bar
RGD100 - 1B	Gas Governor	DN100	1 bar

RGD65 - FT - 1B	Gas Governor with filter	DN65	1 bar
RGD80 - FT - 1B	Gas Governor with filter	DN80	1 bar
RGD100 - FT - 1B	Gas Governor with filter	DN100	1 bar

Gas Governor - Pmax 2 bar

Code	Description	Dimension	Pmax
RG015-2B	Gas Governor	½"	2 bar
RG020-2B	Gas Governor	¾"	2 bar
RG025-2B	Gas Governor	1"	2 bar
RGD25-2B	Gas Governor	1"	2 bar

RG015-FT-2B	Gas Governor with filter	½"	2 bar
RG020-FT-2B	Gas Governor with filter	¾"	2 bar
RG025-FT-2B	Gas Governor with filter	1"	2 bar
RGD25-FT-2B	Gas Governor with filter	DN25	2 bar

Code	Description	Dimension	Pmax
RG032-2B	Gas Governor	1 ¼"	2 bar
RG040-2B	Gas Governor	1 ½"	2 bar
RGD32-2B	Gas Governor	DN32	2 bar
RGD40-2B	Gas Governor	DN40	2 bar

RG032-FT-2B	Gas Governor with filter	1 ¼"	2 bar
RG040-FT-2B	Gas Governor with filter	1 ½"	2 bar
RGD32-FT-2B	Gas Governor with filter	DN32	2 bar
RGD40-FT-2B	Gas Governor with filter	DN40	2 bar

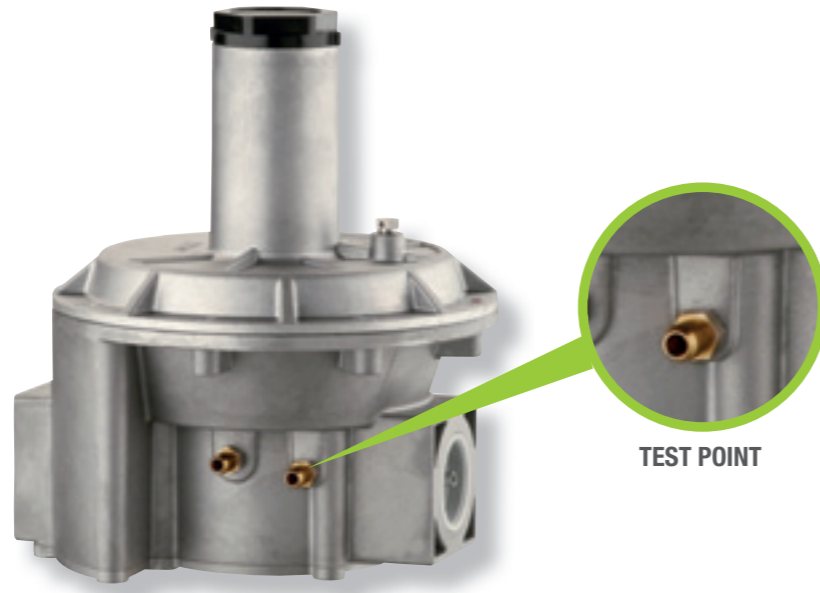
Code	Description	Dimension	Pmax
RG050-2B	Gas Governor	2"	2 bar
RGD50-2B	Gas Governor	DN50	2 bar

RG050-FT-2B	Gas Governor with filter	2"	2 bar
RGD50-FT-2B	Gas Governor with filter	DN50	2 bar

Code	Description	Dimension	Pmax
RGD65 - 2B	Gas Governor	DN65	2 bar
RGD80 - 2B	Gas Governor	DN80	2 bar
RGD100 - 2B	Gas Governor	DN100	2 bar

RGD65 - FT - 2B	Gas Governor with filter	DN65	2 bar
RGD80 - FT - 2B	Gas Governor with filter	DN80	2 bar
RGD100 - FT - 2B	Gas Governor with filter	DN100	2 bar

GAS GOVERNORS - TPIO code - Test point input / output



Gas Governor - Pmax 500 mbar

Code	Description	Dimension	Pmax
RG015-TPIO	Gas Governor with test point in/out	½"	500 mbar
RG020-TPIO	Gas Governor with test point in/out	¾"	500 mbar
RG025-TPIO	Gas Governor with test point in/out	1"	500 mbar
RGD25-TPIO	Gas Governor with test point in/out	DN25	500 mbar

RG015-FT-TPIO	Gas Governor with filter and test point in/out	½"	500 mbar
RG020-FT-TPIO	Gas Governor with filter and test point in/out	¾"	500 mbar
RG025-FT-TPIO	Gas Governor with filter and test point in/out	1"	500 mbar
RGD25-FT-TPIO	Gas Governor with filter and test point in/out	DN25	500 mbar

Code	Description	Dimension	Pmax
RG032-TPIO	Gas Governor with test point in/out	1¼"	500 mbar
RG040-TPIO	Gas Governor with test point in/out	1½"	500 mbar
RGD32-TPIO	Gas Governor with test point in/out	DN32	500 mbar
RGD40-TPIO	Gas Governor with test point in/out	DN40	500 mbar

RG032-FT-TPIO	Gas Governor with filter and test point in/out	1¼"	500 mbar
RG040-FT-TPIO	Gas Governor with filter and test point in/out	1½"	500 mbar
RGD32-FT-TPIO	Gas Governor with filter and test point in/out	DN32	500 mbar
RGD40-FT-TPIO	Gas Governor with filter and test point in/out	DN32	500 mbar

Code	Description	Dimension	Pmax
RG050-TPIO	Gas Governor with test point in/out	2"	500 mbar
RGD50-TPIO	Gas Governor with test point in/out	DN50	500 mbar
RG050-FT-TPIO	Gas Governor with filter and test point in/out	2"	500 mbar
RGD50-FT-TPIO	Gas Governor with filter and test point in/out	DN50	500 mbar

Code	Description	Dimension	Pmax
RGD65 - TPIO	Gas Governor with test point in/out	DN65	500 mbar
RGD80 - TPIO	Gas Governor with test point in/out	DN80	500 mbar
RGD100 - TPIO	Gas Governor with test point in/out	DN100	500 mbar
RGD65 - FT - TPIO	Gas Governor with filter and test point in/out	DN65	500 mbar
RGD80 - FT - TPIO	Gas Governor with filter and test point in/out	DN80	500 mbar
RGD100 - FT - TPIO	Gas Governor with filter and test point in/out	DN100	500 mbar

Gas Governor - Pmax 1 bar

Code	Description	Dimension	Pmax
RG015-1B-TPIO	Gas Governor with test point in/out	½"	1 bar
RG020-1B-TPIO	Gas Governor with test point in/out	¾"	1 bar
RG025-1B-TPIO	Gas Governor with test point in/out	1"	1 bar

RG015-FT-1B-TPIO	Gas Governor with filter and test point in/out	½"	1 bar
RG020-FT-1B-TPIO	Gas Governor with filter and test point in/out	¾"	1 bar
RG025-FT-1B-TPIO	Gas Governor with filter and test point in/out	1"	1 bar

Code	Description	Dimension	Pmax
RG032-1B-TPIO	Gas Governor with test point in/out	1¼"	1 bar
RG040-1B-TPIO	Gas Governor with test point in/out	1½"	1 bar
RGD32-1B-TPIO	Gas Governor with test point in/out	DN32	1 bar
RGD40-1B-TPIO	Gas Governor with test point in/out	DN40	1 bar

RG032-FT-1B-TPIO	Gas Governor with filter and test point in/out	1¼"	1 bar
RG040-FT-1B-TPIO	Gas Governor with filter and test point in/out	1½"	1 bar
RGD32-FT-1B-TPIO	Gas Governor with filter and test point in/out	DN32	1 bar
RGD40-FT-1B-TPIO	Gas Governor with filter and test point in/out	DN40	1 bar

Code	Description	Dimension	Pmax
RG050-1B-TPIO	Gas Governor with test point in/out	2"	1 bar
RGD50-1B-TPIO	Gas Governor with test point in/out	DN50	1 bar

RG050-FT-1B-TPIO	Gas Governor with filter and test point in/out	2"	1 bar
RGD50-FT-1B-TPIO	Gas Governor with filter and test point in/out	DN50	1 bar

Code	Description	Dimension	Pmax
RGD65 - 1B - TPIO	Gas Governor with test point in/out	DN65	1 bar
RGD80 - 1B - TPIO	Gas Governor with test point in/out	DN80	1 bar
RGD100 - 1B - TPIO	Gas Governor with test point in/out	DN100	1 bar

RGD65 - FT - 1B - TPIO	Gas Governor with filter and test point in/out	DN65	1 bar
RGD80 - FT - 1B - TPIO	Gas Governor with filter and test point in/out	DN80	1 bar
RGD100 - FT - 1B - TPIO	Gas Governor with filter and test point in/out	DN100	1 bar

Gas Governor - Pmax 2 bar

Code	Description	Dimension	Pmax
RG015-2B-TPIO	Gas Governor with test point in/out	1¼"	2 bar
RG020-2B-TPIO	Gas Governor with test point in/out	1½"	2 bar
RG025-2B-TPIO	Gas Governor with test point in/out	DN32	2 bar

RG015-FT-2B-TPIO	Gas Governor with filter and test point in/out	1¼"	2 bar
RG020-FT-2B-TPIO	Gas Governor with filter and test point in/out	1½"	2 bar
RG025-FT-2B-TPIO	Gas Governor with filter and test point in/out	DN32	2 bar

Code	Description	Dimension	Pmax
RG032-2B-TPIO	Gas Governor with test point in/out	1¼"	2 bar
RG040-2B-TPIO	Gas Governor with test point in/out	1½"	2 bar
RGD32-2B-TPIO	Gas Governor with test point in/out	DN32	2 bar
RGD40-2B-TPIO	Gas Governor with test point in/out	DN40	2 bar

RG032-FT-2B-TPIO	Gas Governor with filter test point in/out	1¼"	2 bar
RG040-FT-2B-TPIO	Gas Governor with filter test point in/out	1½"	2 bar
RGD32-FT-2B-TPIO	Gas Governor with filter test point in/out	DN32	2 bar
RGD40-FT-2B-TPIO	Gas Governor with filter test point in/out	DN40	2 bar

Code	Description	Dimension	Pmax
RG050-2B-TPIO	Gas Governor with test point in/out	2"	2 bar
RGD50-2B-TPIO	Gas Governor with test point in/out	DN50	2 bar

RG050-FT-2B-TPIO	Gas Governor with filter and test point in/out	2"	2 bar
RGD50-FT-2B-TPIO	Gas Governor with filter and test point in/out	DN50	2 bar

Code	Description	Dimension	Pmax
RGD65 - 2B - TPIO	Gas Governor with test point in/out	DN65	2 bar
RGD80 - 2B - TPIO	Gas Governor with test point in/out	DN80	2 bar
RGD100 - 2B - TPIO	Gas Governor with test point in/out	DN100	2 bar

RGD65 - FT - 2B - TPIO	Gas Governor with filter and test point in/out	DN65	2 bar
RGD80 - FT - 2B - TPIO	Gas Governor with filter and test point in/out	DN80	2 bar
RGD100 - FT - 2B - TPIO	Gas Governor with filter and test point in/out	DN100	2 bar

CODE DESCRIPTION

RG015-FT-1B



① GAS GOVERNOR:

RG=Threaded connections
RGD=Flanged connections

③ OPTIONAL:
-FT= With Filter

④ BAR:
=500mbar
-1B=1bar
-2B=2bar

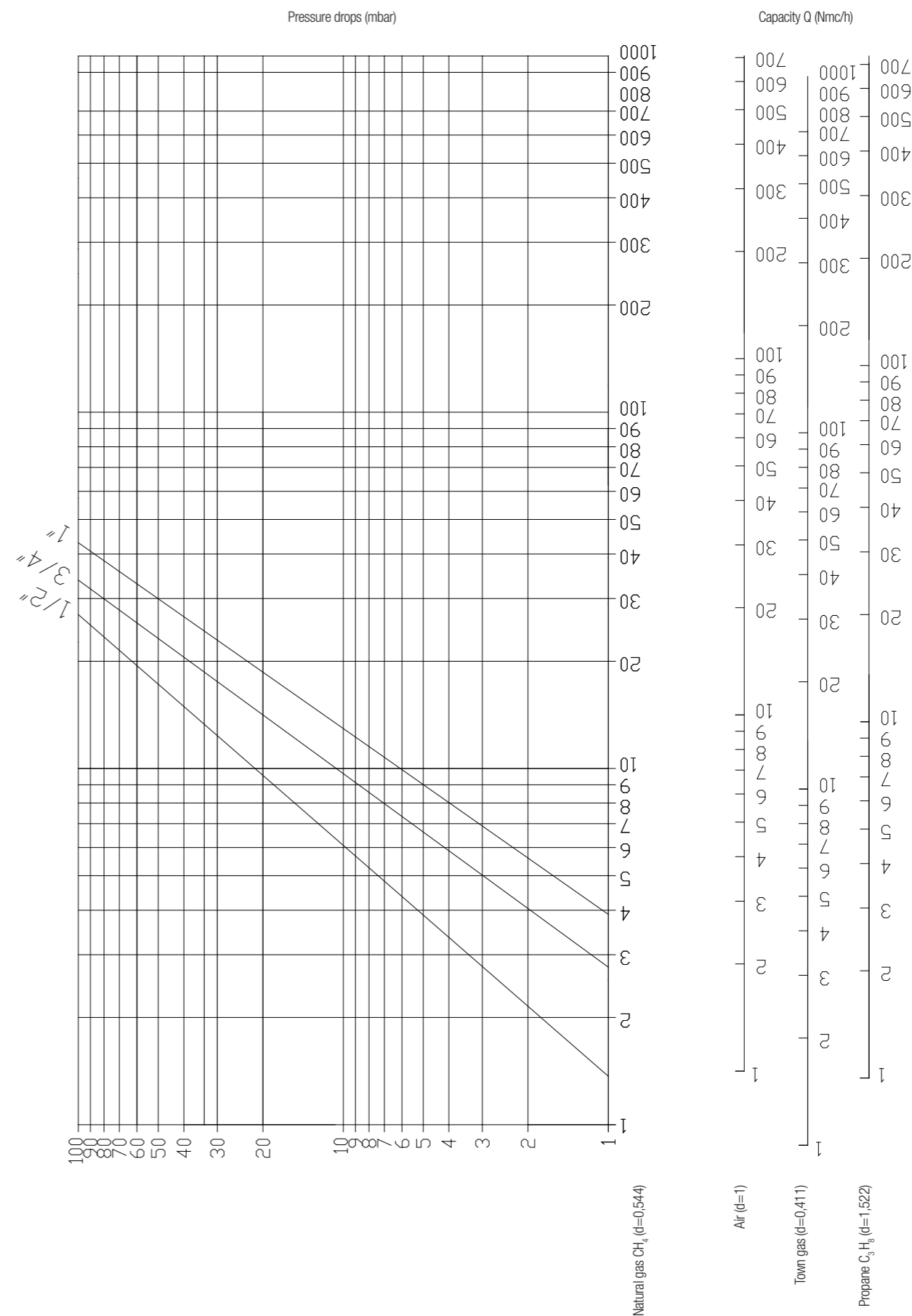
② DIMENSIONS:

015 = 1/2"
020 = 3/4"
025= 1"
25= DN25
032= 1 1/4"
32= DN32
040= 1 1/2"
40= DN40
050= 2"
50= DN50
65 = DN65
80 = DN80
100 = DN100

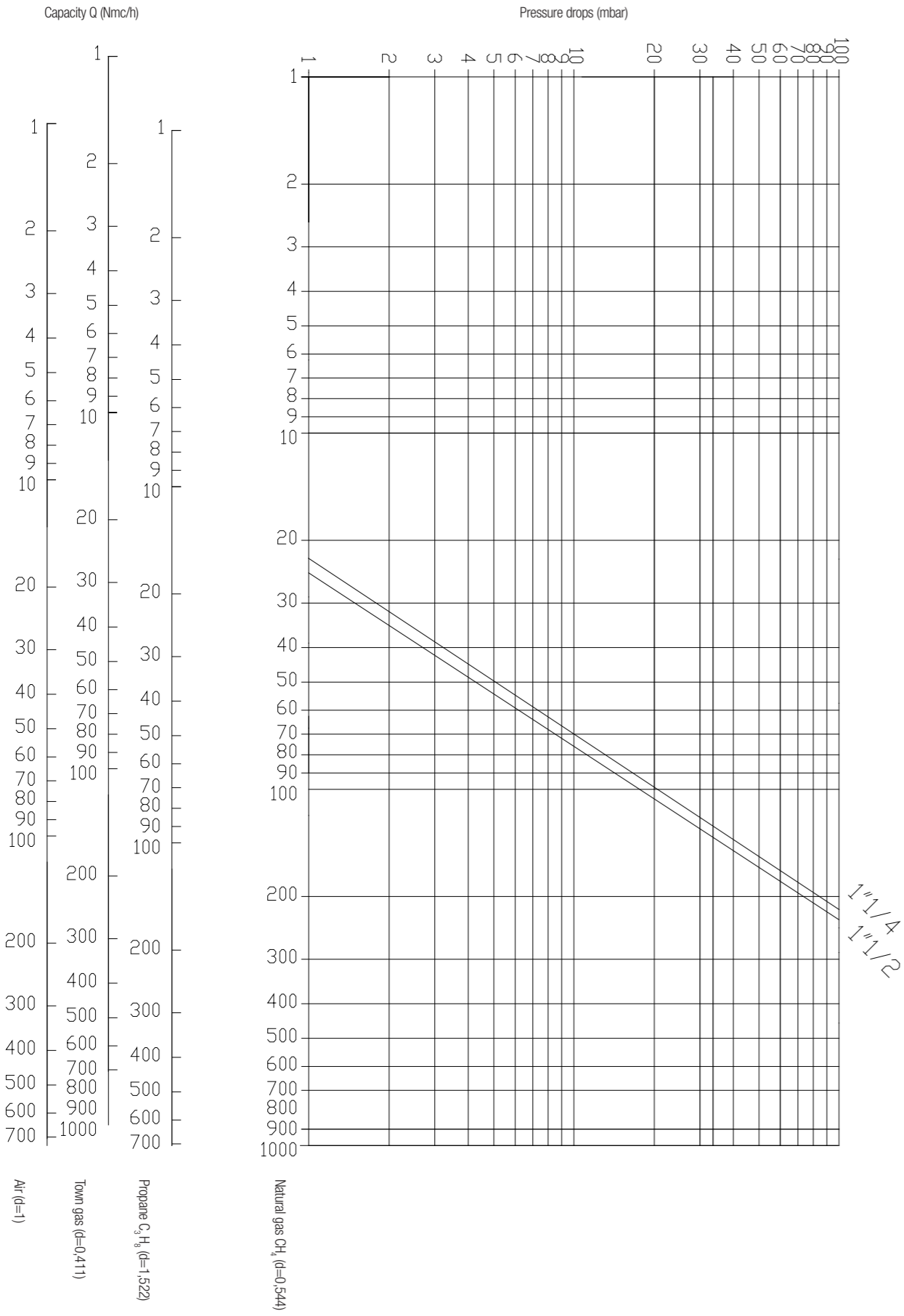
PACKING DIMENSION

Code	Packaging Dimension (LxWxH) cm	Weight dimension (Kg)	Packaging
RG015 – RG020 – RG025	63x24x18	7,4	10 units
RG032 – RG040	22x20x26	3,4	1 unit
RG050	27x28x32	6	1 unit
RGD65 – RGD80 – RGD100	44x34x46	16,2 - 15,5 - 14,8	1 unit

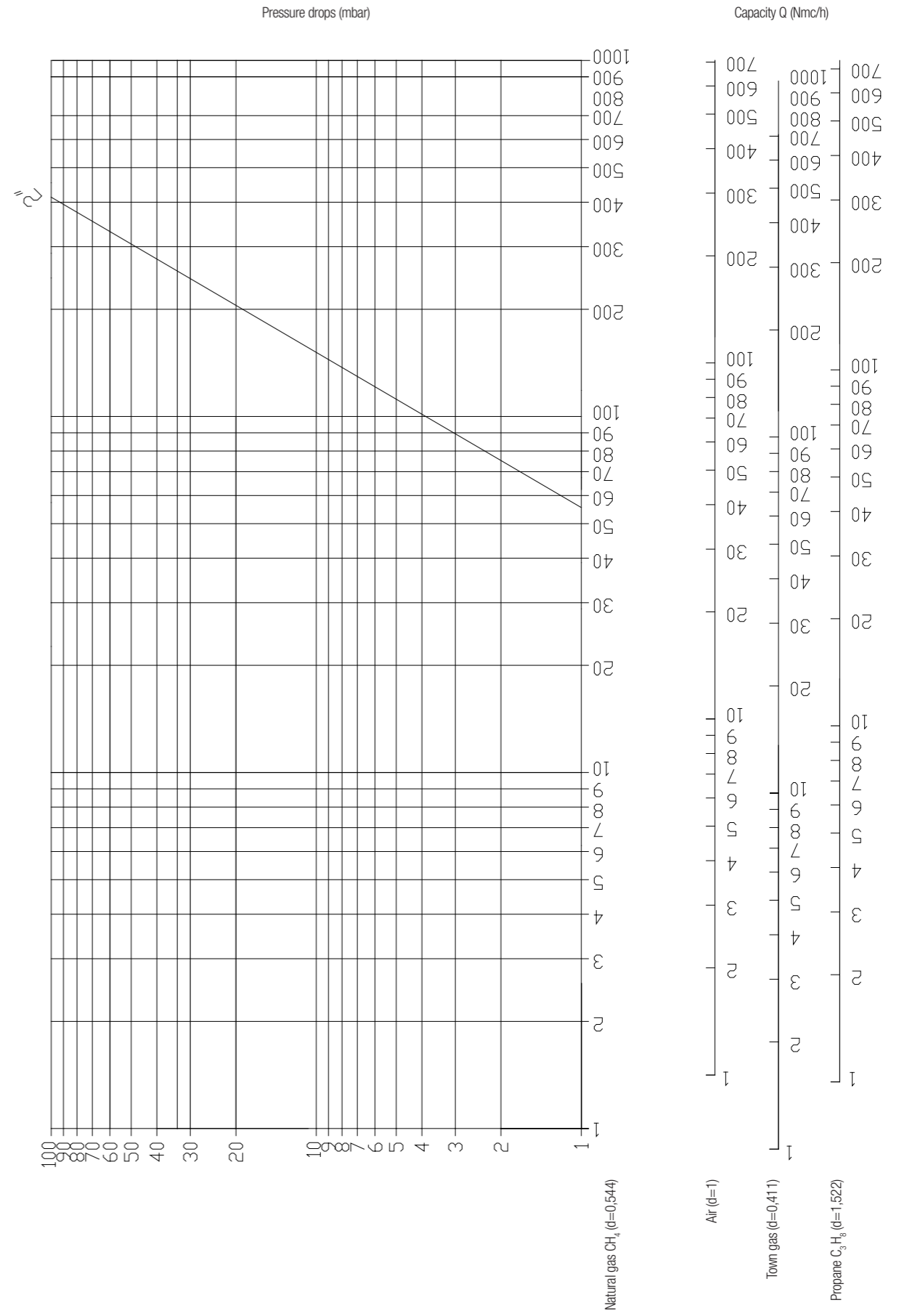
Gas Governor 1/2", 3/4", 1"



Gas Governor 1 1/4", 1 1/2"

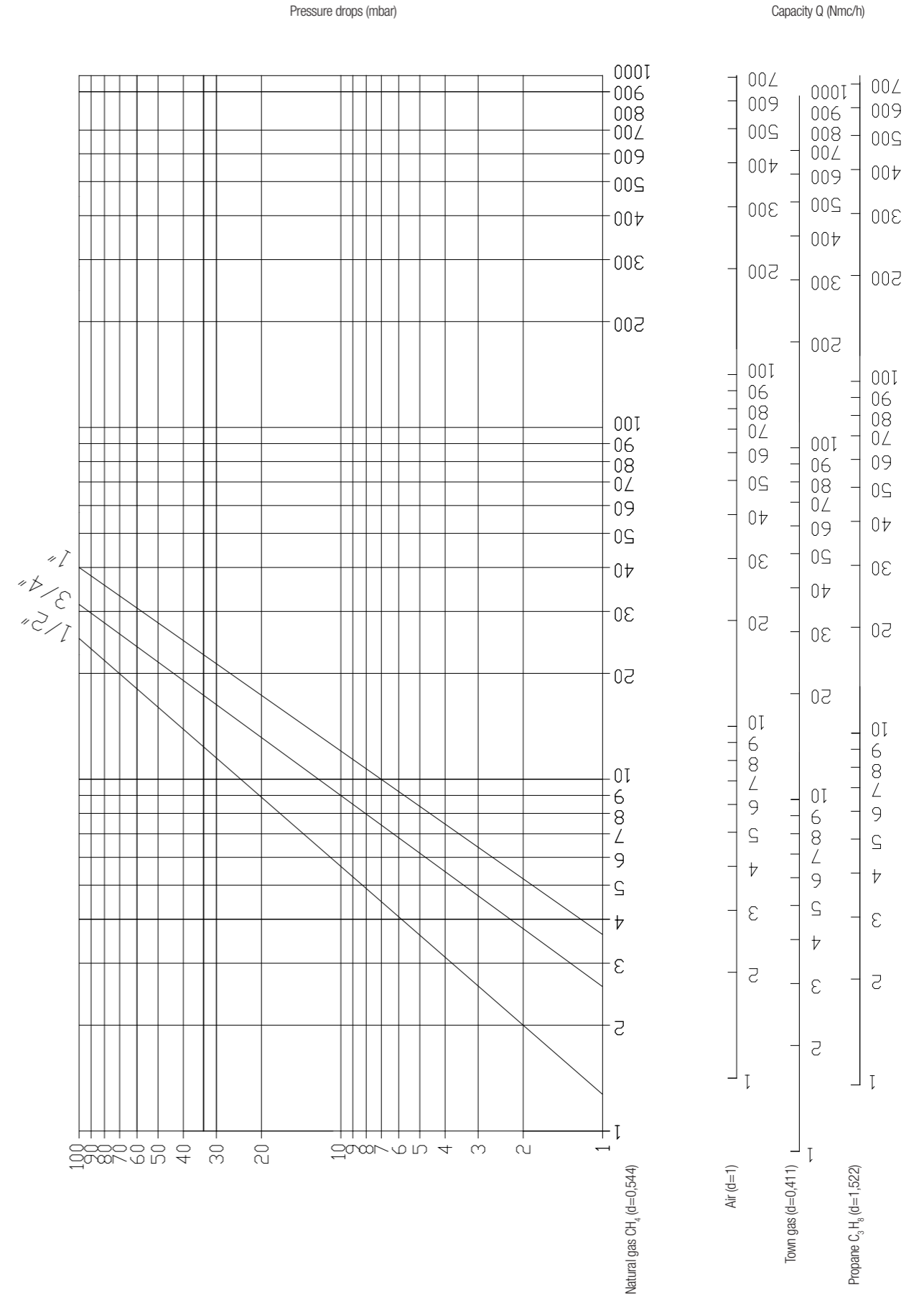
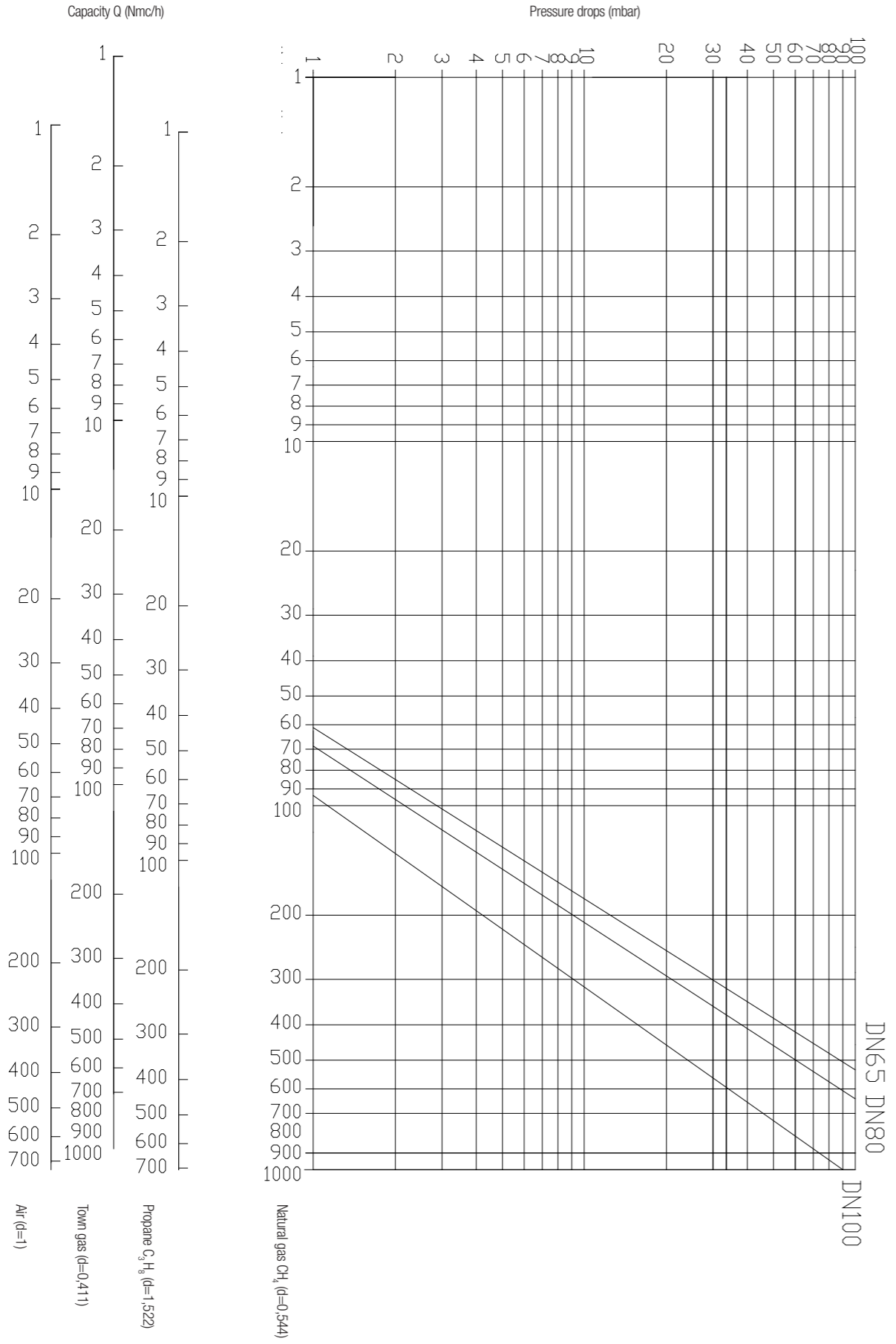


Gas Governor 2"

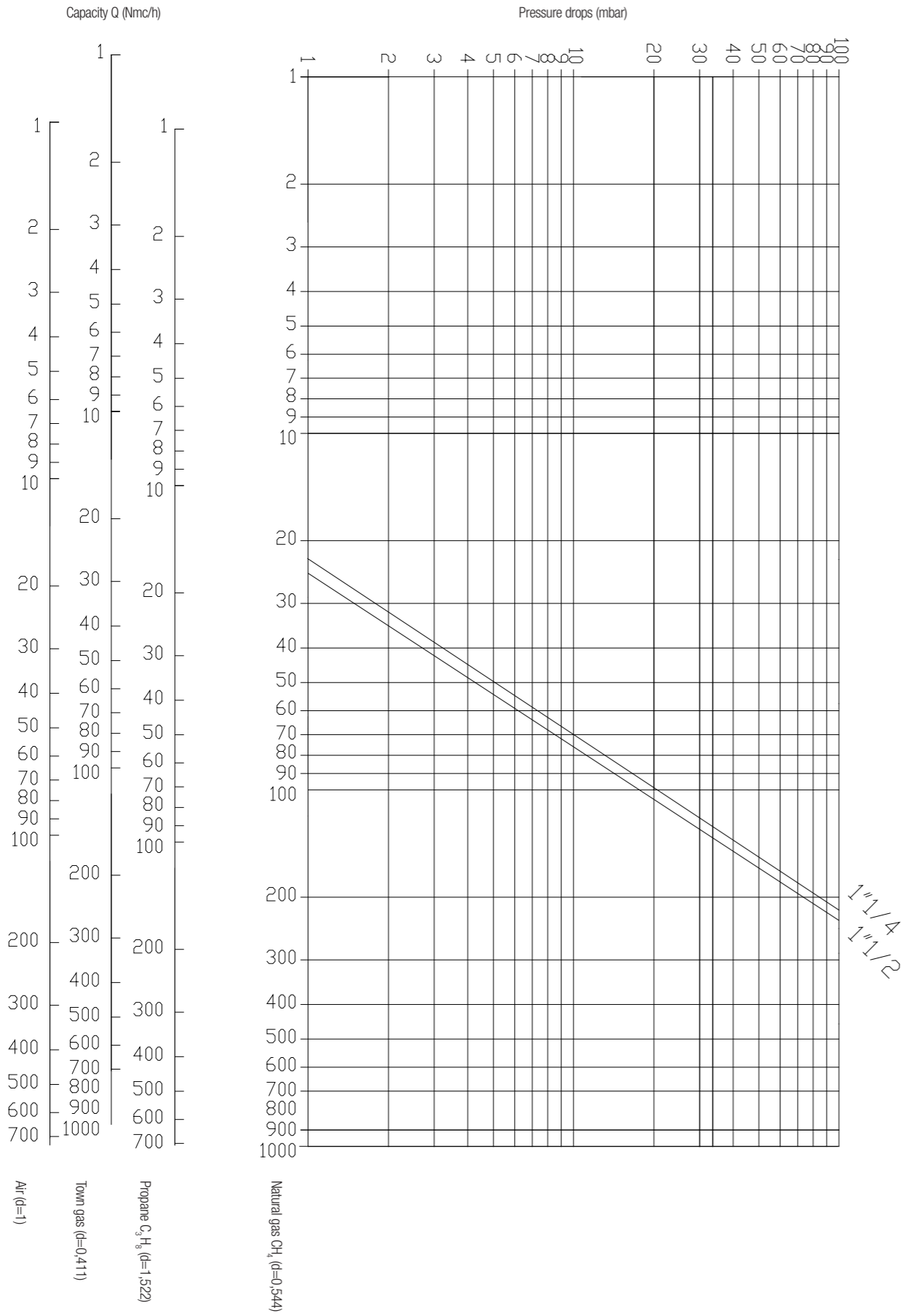


Gas Governor DN65, DN80, DN100

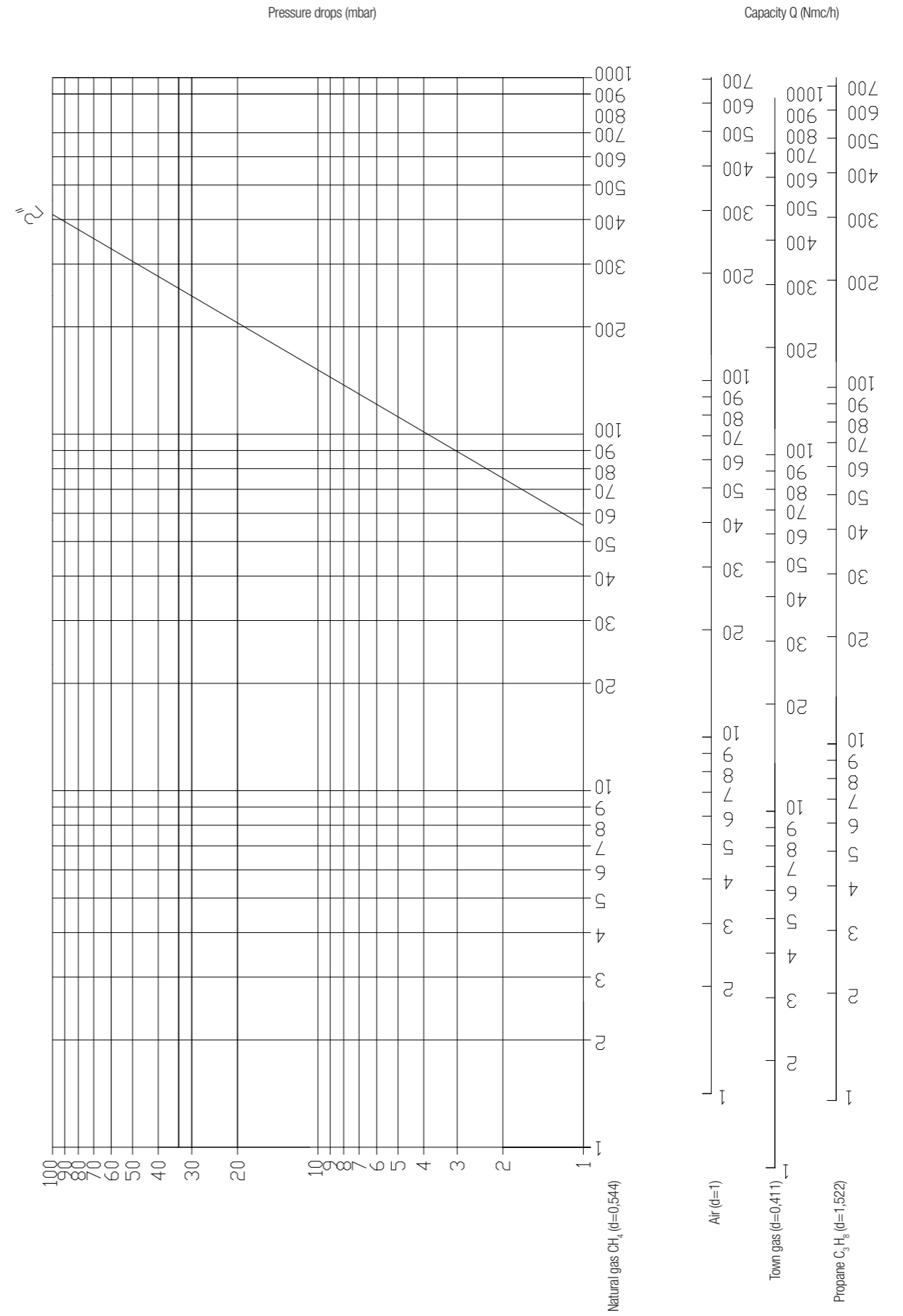
Gas Governor with filter 1/2", 3/4", 1"



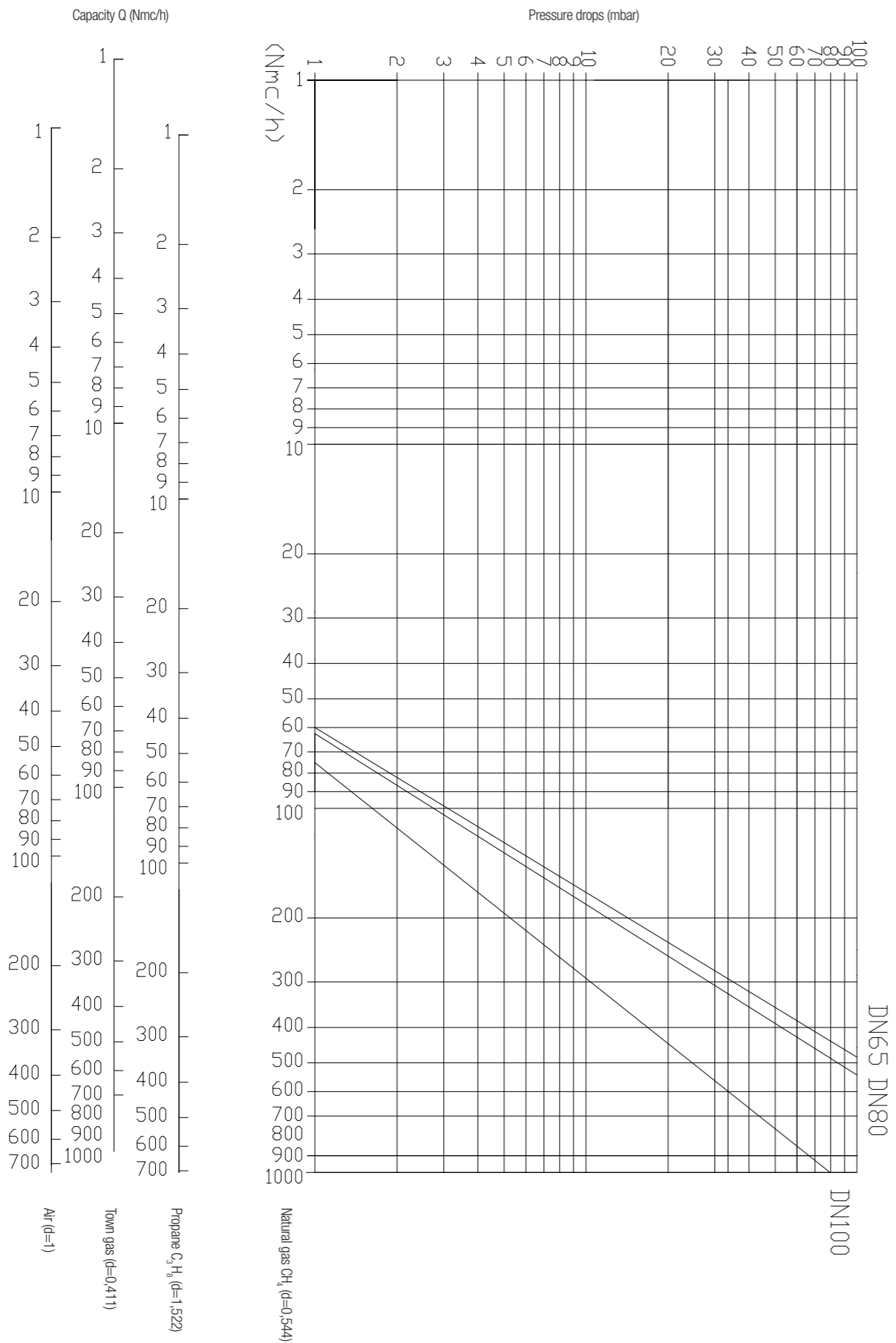
Gas Governor with filter 1 ¼", 1 ½"



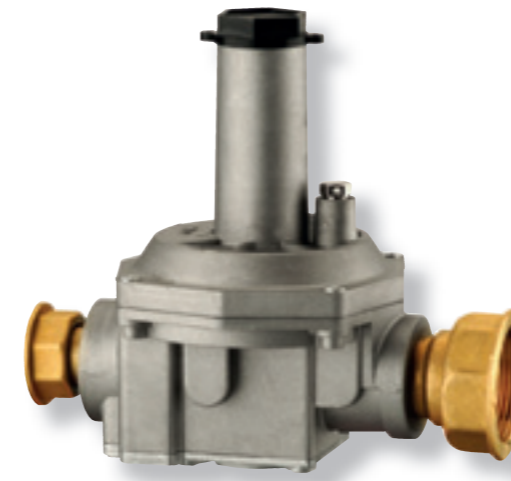
Gas Governor with filter 2"



Gas Governor with filter DN65, DN80, DN100



Special versions



Geca can produce gas governor with different connection specific for the different markets and applications. This solutions are on request.

Electronic pressure gauge



Pressure gauges measure negative pressure, positive pressure and differential pressure of non-aggressive, gaseous. The manometer is used in production and extraction systems to measure different pressures or the pressure drop in gas flows. It is also used to check inlet and outlet pressure of gas governor, it is an ideal aid for adjusting burners, e.g. to check the burner pressure and the gas/air ratio etc.

TECHNICAL FEATURES

Power supply	1 9V alkaline battery model 6LR61
Battery life	25-30 hours (constantly working)
Range:	0-100 mbar
Resolution scale:	±0,1 mmH ₂ O up to 200 mmH ₂ O, ±1 mmH ₂ O from 200 mmH ₂ O up to 1000 mmH ₂ O
Accuracy:	±1%
Max. working pressure:	750 mbar