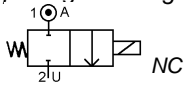


Media: vacuum - air – water – steam  
 Pressure range: 0 to 10 Bar max  
 Media temperature: -10°C to +180°C Max  
 Ambient temperature: -20°C to +50°C  
 Media viscosity: 50 centistokes max  
 Mounting: upright (+/- 15° from vertical)  
 Opening / Closing 200 mSec Max



# 2/2 Bronze Steam

## 11/4 - 2

### NORMALLY CLOSED

### 2 WAY DIRECT ACTING

### 0 – 10 Bar

## TYPE MK32-50S



#### PRESSURE

Ø Port BSP	Ø Orifice (mm)	Flow Kv Ltr/ min	Pressure Rating (bar)ΔP				Part Number
			Min	Max Steam	Max Air/ Water	Max Oil	
11/4	33	217	0	10	8	7	MK32SM20 + voltage
11/2	43	300	0	10	8	7	MK40SM20 + voltage
2	53	383	0	10	8	7	MK50SM20 + voltage

#### OPTIONS

IP65 Coil & Connector  
 Flange PN16 or ANSI150Lb

#### ELECTRICAL DATA

Voltage (-10% + 10%) Continuous duty 50% 1 Hour Max		Coil	Power		Insulation class	Enclosure	Electrical Connections
			Inrush	Holding			
~	110 - 230 (50 or 60 Hz)	M20	79VA	48VA	H 180°C	IP65 with connector	3 spades DIN43650 DIN40050 VDE0110

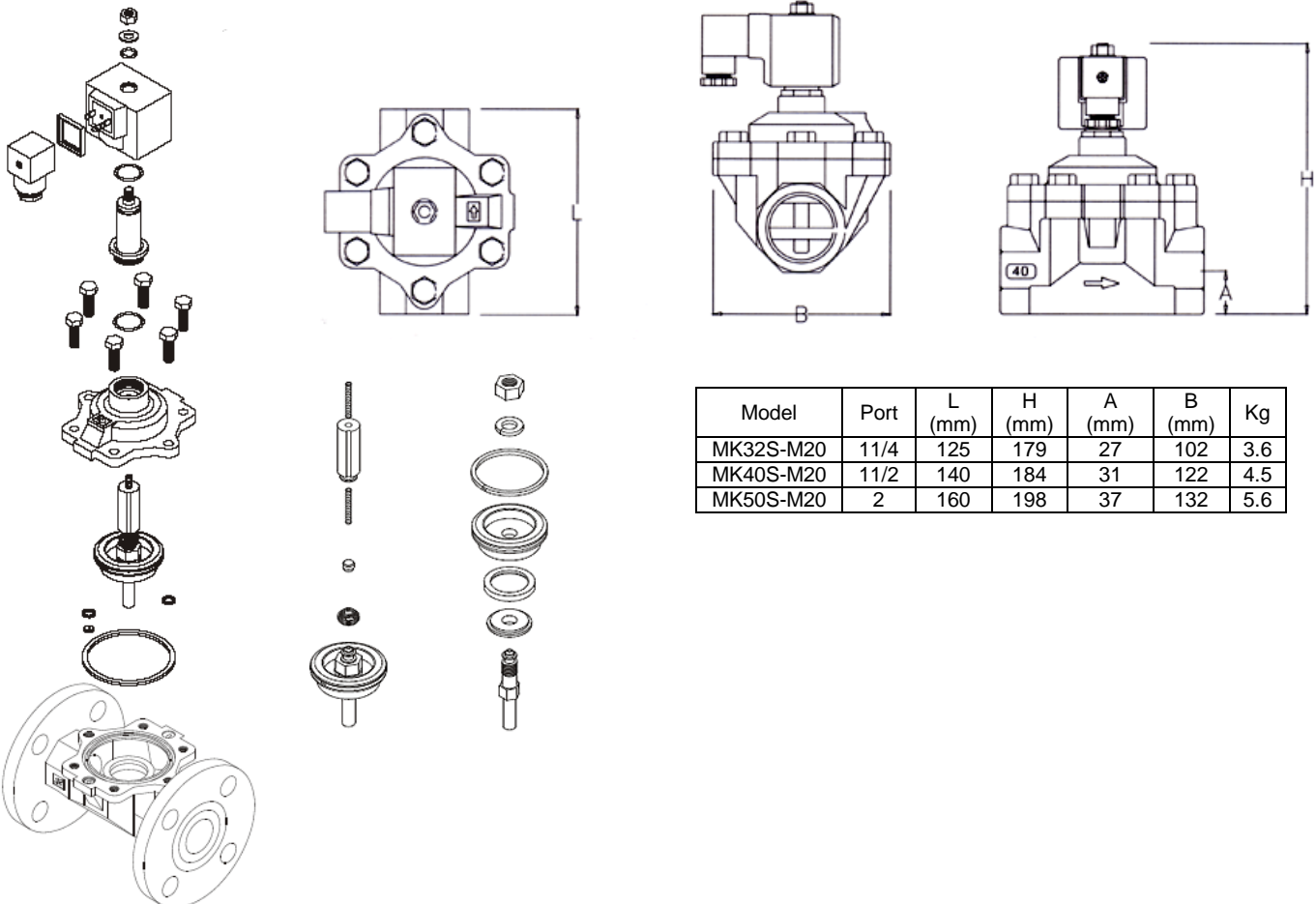
#### CONSTRUCTION

Body: Bronze BC6  
 Piston: Stainless steel 303,304, KM31 and Bronze BC6, PTFE  
 Tube: Stainless steel 304 & KM31  
 Seals and gaskets: PTFE & Graphite impregnated PTFE

#### REPAIR KIT

Coil	M20 + Voltage
Complete plunger + O' rings	KIT + valve part number

#### OVERALL DIMENSIONS



Model	Port	L (mm)	H (mm)	A (mm)	B (mm)	Kg
MK32S-M20	11/4	125	179	27	102	3.6
MK40S-M20	11/2	140	184	31	122	4.5
MK50S-M20	2	160	198	37	132	5.6