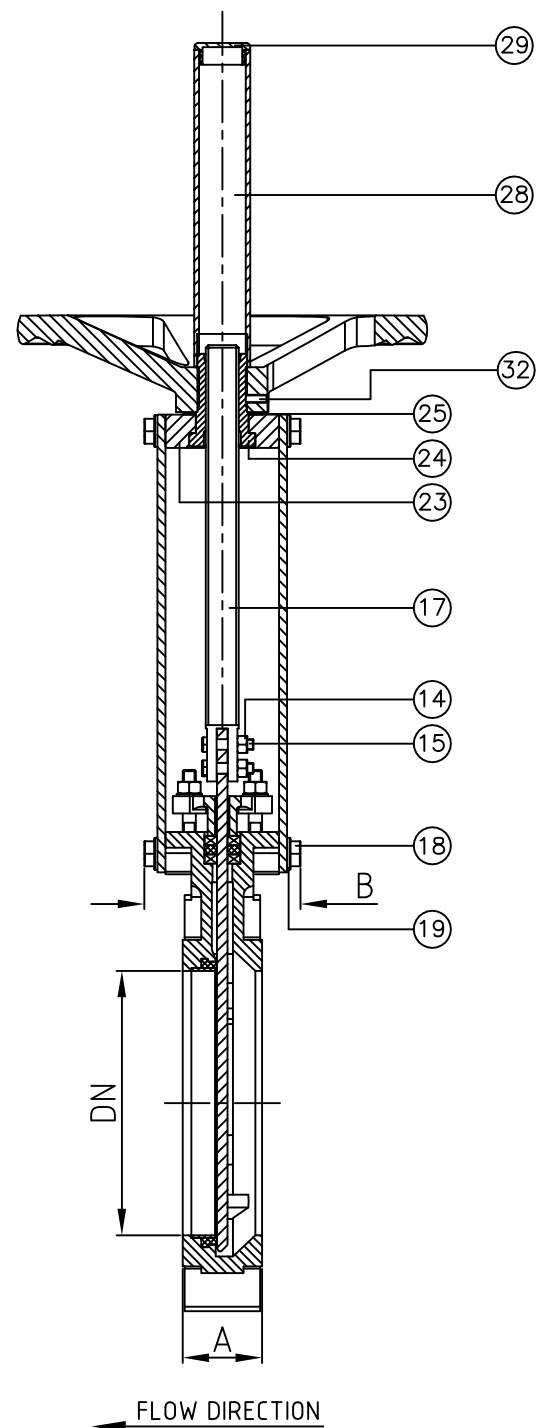
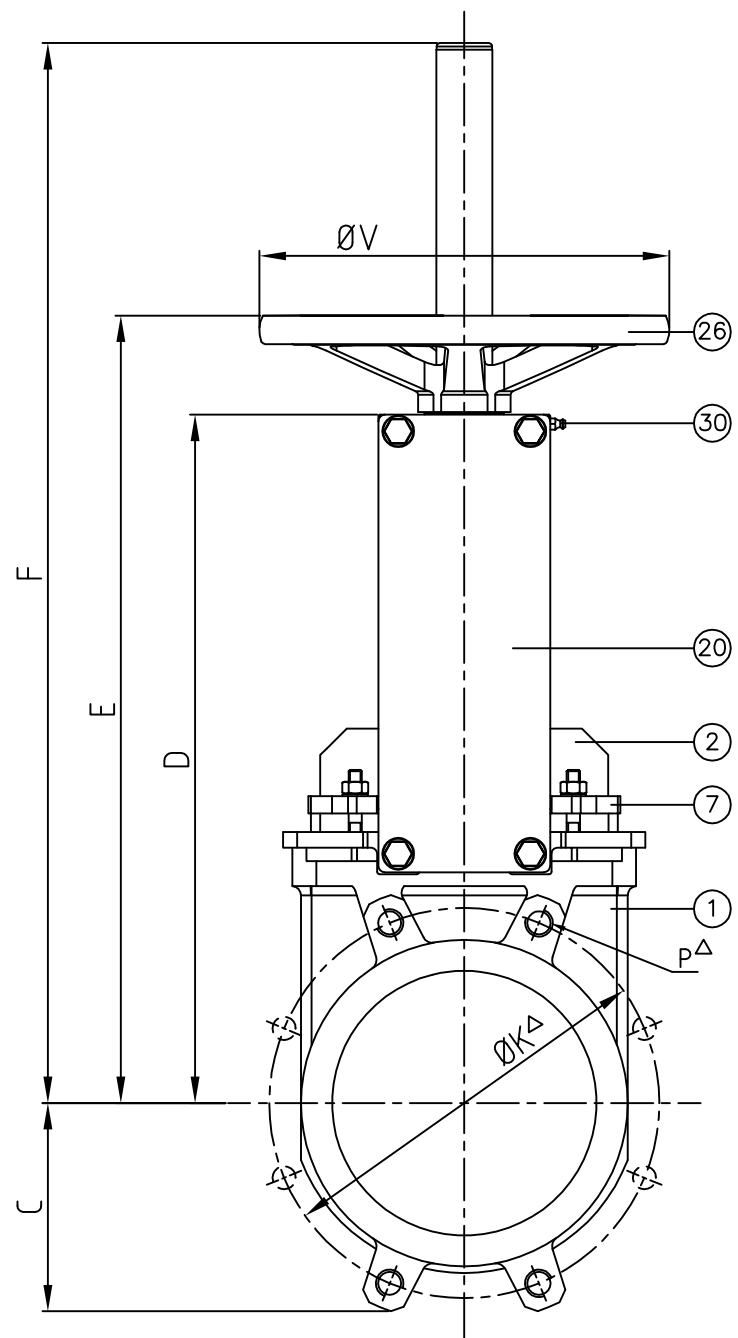


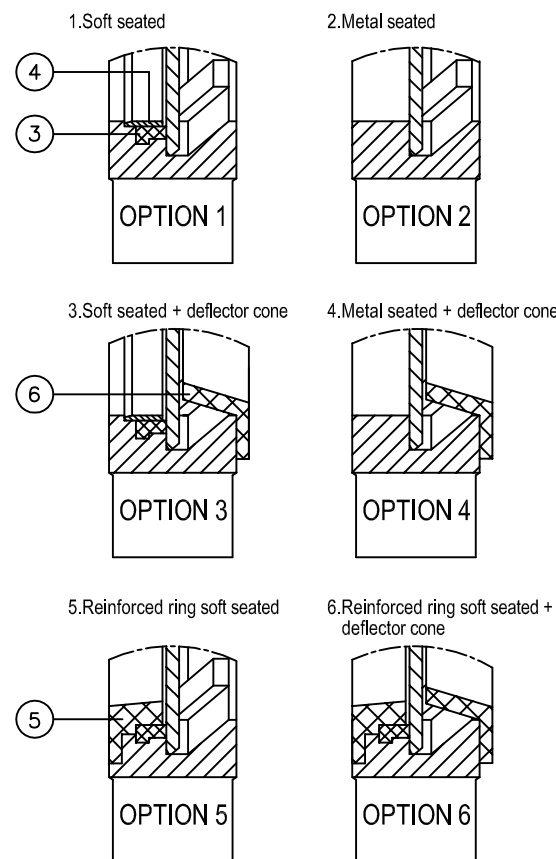
△ Flanges drilled according to EN 1092-2 and DIN 2501:ISO PN10
(for further information please contact us)

| | |
|---|--|
| Maximum working design pressure: DN50-DN250: 10Bar DN300-DN400: 6Bar DN450-DN600: 4Bar | Standard testing pressure (EN 12266-1): DN50-DN250: 11Bar DN300-DN400: 6,6Bar DN450-DN600: 4,4Bar |
|---|--|

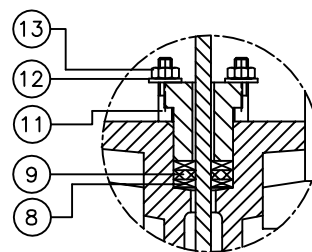
| DN* | INCHES | A | B | C | D | E | F | ØV | WEIGHT(Kg) |
|-----|--------|-----|-----|-----|------|------|------|-----|------------|
| 50 | 2" | 40 | 90 | 65 | 240 | 285 | 399 | 200 | 7,5 |
| 65 | 2 1/2" | 40 | 90 | 71 | 267 | 310 | 426 | 200 | 8,5 |
| 80 | 3" | 50 | 90 | 92 | 292 | 336 | 452 | 200 | 10 |
| 100 | 4" | 50 | 90 | 106 | 338 | 382 | 498 | 200 | 11,5 |
| 125 | 5" | 50 | 90 | 121 | 367 | 430 | 577 | 245 | 15 |
| 150 | 6" | 60 | 90 | 135 | 417 | 480 | 627 | 245 | 19 |
| 200 | 8" | 60 | 120 | 160 | 525 | 596 | 802 | 310 | 31,5 |
| 250 | 10" | 70 | 120 | 200 | 622 | 697 | 953 | 310 | 44 |
| 300 | 12" | 70 | 120 | 232 | 722 | 797 | 1105 | 310 | 57 |
| 350 | 14" | 96 | 192 | 258 | 841 | 912 | 1288 | 400 | 107 |
| 400 | 16" | 100 | 192 | 295 | 945 | 1017 | 1442 | 400 | 132 |
| 450 | 18" | 106 | 192 | 318 | 1032 | 1110 | 1585 | 500 | 160 |
| 500 | 20" | 110 | 192 | 345 | 1145 | 1222 | 1748 | 500 | 180 |
| 600 | 24" | 110 | 290 | 405 | 1345 | 1422 | 2047 | 500 | 292 |



SEAT OPTIONS:



PACKING DETAIL:



*Other dimensions/materials on request

| Item | Denomination | Standard configuration | Stainless Steel configuration | Number of pieces |
|------|-------------------------|-------------------------|-------------------------------|------------------|
| 32 | Stop screw | A2 | A2 | 1 |
| 30 | Oiling nipple | Steel | Steel | 1 |
| 29 | Cover | Plastic | Plastic | 1 |
| 28 | Stem protection tube | Steel | Steel | 1 |
| 26 | Handwheel | Cast iron GJL-250 GG25* | Cast iron GJL-250 GG25* | 1 |
| 25 | Handwheel washer | Brass | Brass | 1 |
| 24 | Maneuvering nut | Brass | Brass | 1 |
| 23 | Support bridge | Steel | Steel | 1 |
| 20 | Support plate | Steel | Steel | 2 |
| 19 | Washer | A2 | A2 | - |
| 18 | Bolt | A2 | A2 | - |
| 17 | Spindle | AISI303/304 | AISI303/304 | 1 |
| 15 | Union bolt spindle-gate | A2 | A2 | 2 |
| 14 | Union nut spindle-gate | A2 | A2 | 2 |
| 13 | Nut | A2 | A2 | - |
| 12 | Washer | A2 | A2 | - |
| 11 | Stud | A2 | A2 | - |
| 9 | Packing o'ring | EPDM/NBR* | EPDM/NBR* | - |
| 8 | Packing | SYNT+PTFE* | SYNT+PTFE* | - |
| 7 | Packing gland | Aluminium* | CF8M (AISI316)* | 1 |
| 6 | Deflector cone 15° | CF8M (AISI316)* | CF8M (AISI316)* | - |
| 5 | Reinforced ring 8° | CF8 (AISI304)* | CF8M (AISI316)* | - |
| 4 | Sealing ring | AISI316/304 | AISI316 | - |
| 3 | Seat | EPDM/NBR* | EPDM/NBR* | - |
| 2 | Gate | AISI304L* | AISI316L* | 1 |
| 1 | Body | Cast iron GJL-250 GG25* | CF8M (AISI316)* | 1 |

| | | | | | | | | | | |
|---------------------------------------|--------------|------|------|--|------------|------------|-------------|-------|-------|-------|
| Denomination | | | | | | | Drawing No. | | Model | Sheet |
| KNIFE GATE VALVE, T200 EV (HANDWHEEL) | | | | | | | COM0000 | | T200 | 1/1 |
| Rev | Modification | Date | Name | Date | Name | Version | Paper size | | | |
| 1 | | | | | | Commercial | A3 | | | |
| 2 | | | | Traced by | 15/01/2019 | O.D.V. | Quantity | Scale | | |
| 3 | | | | Approved by | 15/01/2019 | J.S.H. | - | - | | |
| 4 | | | | ZUBI reserves the right to modify the measures without previous notice | | | | | | |

